

D-SUB & I/O CONNECTORS

INDEX



Part-Number	Page	Part-Number	Page	Part-Number	Page
DVD-2424-NDD9-xx/BS	85a	SDD-0909-x-95-FMN	52	SDD-2500-2-95-FNJ	50
DVD-2424-NDD9-xx/BSJ	85a	SDD-0909-x-95-FMNJ	52	SDD-2500-2-95-MN	50
DVD-2424-NDD9-xx/WS	85a	SDD-0909-x-95-FMS	52	SDD-2500-2-95-MNJ	50
DVD-2424-NDD9-xx/WSJ	85a	SDD-0909-x-95-FMSJ	52	SDD-2509-2-95-F	59
DVD-2929-NAD9-xx/BS	85a	SDD-0909-x-95-FMSN	52	SDD-2509-2-95-FJ	59
DVD-2929-NAD9-xx/BSJ	85a	SDD-0909-x-95-FMSNJ	52	SDD-2509-2-95-FM	60
DVD-2929-NAD9-xx/WS	85a	SDD-0909-x-95-FSN	51	SDD-2509-2-95-FMJ	60
DVD-2929-NAD9-xx/WSJ	85a	SDD-0909-x-95-FNJ	51	SDD-2509-2-95-FMN	60
DVF-024-NDD1-xx/BB	85	SDD-0909-x-95-FS	51	SDD-2509-2-95-FMNJ	60
DVF-024-NDD1-xx/BBJ	85	SDD-0909-x-95-FSJ	51	SDD-2509-2-95-FN	59
DVF-024-NDD1-xx/WB	85	SDD-0909-x-95-FSN	51	SDD-2509-2-95-FNJ	59
DVF-024-NDD1-xx/WBJ	85	SDD-0909-x-95-FSNJ	51	SDD-2509-2-95-M	59
DVF-024-NDD9-xx/BP	84	SDD-0909-x-95-M	51	SDD-2509-2-95-MF	60
DVF-024-NDD9-xx/BPJ	84	SDD-0909-x-95-MF	52	SDD-2509-2-95-MFJ	60
DVF-024-NDD9-xx/WP	84	SDD-0909-x-95-MFJ	52	SDD-2509-2-95-MFN	60
DVF-024-NDD9-xx/WPJ	84	SDD-0909-x-95-MFN	52	SDD-2509-2-95-MFNJ	60
DVF-029-NAD9-xx/BP	84	SDD-0909-x-95-MFNJ	52	SDD-2509-2-95-MJ	59
DVF-029-NAD9-xx/BPJ	84	SDD-0909-x-95-MFS	52	SDD-2509-2-95-MN	59
DVF-029-NAD9-xx/WP	84	SDD-0909-x-95-MFSJ	52	SDD-2509-2-95-MNJ	59
DVF-029-NAD9-xx/WPJ	84	SDD-0909-x-95-MFSN	52	SDD-2525-x-95-F	55
HMR-B19-SSK1-9x/X	94	SDD-0909-x-95-MFSNJ	52	SDD-2525-x-95-FJ	55
HMR-B19-SSL1-9x/X	94	SDD-0909-x-95-MJ	51	SDD-2525-x-95-FM	56
HMR-B19-SSM1-9x/X	OBSOLETE 95	SDD-0909-x-95-MN	51	SDD-2525-x-95-FMJ	56
HMR-B19-SWK1-9x/X	OBSOLETE 94	SDD-0909-x-95-MNJ	51	SDD-2525-x-95-FMN	56
HMR-B19-USM1-9x/X	OBSOLETE 95	SDD-0909-x-95-MS	51	SDD-2525-x-95-FMNJ	56
HSB-xxx-S101-00Z	71	SDD-0909-x-95-MSJ	51	SDD-2525-x-95-FMJ	56
HSB-xxx-S101-45Z	71	SDD-0909-x-95-MSN	51	SDD-2525-x-95-FMSJ	56
HSB-xxx-S102-00Z	71	SDD-0909-x-95-MSNJ	51	SDD-2525-x-95-FMSN	56
HSB-xxx-S102-45Z	71	SDD-0925-x-95-F	61	SDD-2525-x-95-FMSNJ	56
HSC-xxx-S101-00Z	71	SDD-0925-x-95-FJ	61	SDD-2525-x-95-FN	55
HSC-xxx-S101-45Z	71	SDD-0925-x-95-FN	61	SDD-2525-x-95-FNJ	55
HSC-xxx-S102-00Z	71	SDD-0925-x-95-FNJ	61	SDD-2525-x-95-FS	55
HSC-xxx-S102-45Z	71	SDD-09H15-x-95-F	64	SDD-2525-x-95-FSJ	55
HSG-xxx-S101-00Z	71	SDD-09H15-x-95-FJ	64	SDD-2525-x-95-FSN	55
HSG-xxx-S101-45Z	71	SDD-09H15-4-95-FM	63	SDD-2525-x-95-FSNJ	55
HSG-xxx-S102-00Z	71	SDD-09H15-4-95-FMJ	63	SDD-2525-x-95-M	55
HSG-xxx-S102-45Z	71	SDD-09H15-4-95-FMN	63	SDD-2525-x-95-MF	56
HSM-xxx-S101-00Z	71	SDD-09H15-4-95-FMNJ	63	SDD-2525-x-95-MFJ	56
HSM-xxx-S101-0RZ	71	SDD-09H15-x-95-FN	64	SDD-2525-x-95-MFN	56
HSM-xxx-S101-90Z	71	SDD-09H15-x-95-FNJ	64	SDD-2525-x-95-MFNJ	56
HSM-xxx-S101-9RZ	71	SDD-09H15-x-95-MF	64	SDD-2525-x-95-MFS	56
HSM-xxx-S102-00Z	71	SDD-09H15-x-95-MFJ	64	SDD-2525-x-95-MFSJ	56
HSM-xxx-S102-0RZ	71	SDD-09H15-x-95-MFN	64	SDD-2525-x-95-MFSN	56
HSM-xxx-S102-90Z	71	SDD-09H15-x-95-MFNJ	64	SDD-2525-x-95-MFSNJ	56
HSM-xxx-S102-9RZ	71	SDD-1515-x-95-F	53	SDD-2525-x-95-MJ	55
IES-B04-RIO1-95	81	SDD-1515-x-95-FJ	53	SDD-2525-x-95-MN	55
IES-B04-RIR1-95	81	SDD-1515-x-95-FM	54	SDD-2525-x-95-MNJ	55
IES-B04-SIO1-95	81	SDD-1515-x-95-FMJ	54	SDD-2525-x-95-MS	55
IES-B06-RIF1-95	80	SDD-1515-x-95-FMN	54	SDD-2525-x-95-MSJ	55
IES-B06-SIF1-95	80	SDD-1515-x-95-FMNJ	54	SDD-2525-x-95-MSN	55
IES-B06-VIF1-95	80	SDD-1515-x-95-FMS	54	SDD-2525-x-95-MSNJ	55
IES-W06-RIF1-95	80	SDD-1515-x-95-FMSJ	54	SDD-2599-2-95-FM	68
IES-W06-SIF1-95	80	SDD-1515-x-95-FMSN	54	SDD-2599-2-95-FMJ	68
IES-W06-VIF1-95	80	SDD-1515-x-95-FMSNJ	54	SDD-2599-2-95-FMN	68
JLP-440-T106-NN	70	SDD-1515-x-95-FN	53	SDD-2599-2-95-FMNJ	68
JSR-xxx-Txxx-NN	70	SDD-1515-x-95-FNJ	53	SDD-259H15-4-95-FMF	68
MDJ-606-DKxx-95	90	SDD-1515-x-95-FS	53	SDD-259H15-4-95-FMFJ	68
MDJ-606-DSxx-95	90	SDD-1515-x-95-FSJ	53	SDD-259H15-4-95-FMFn	68
MDJ-xxx-RF01-95	88	SDD-1515-x-95-FSN	53	SDD-259H15-4-95-FMFNJ	68
MDJ-xxx-RF22-95	88	SDD-1515-x-95-FSNJ	53	SDD-25H15-4-95-F	63
MDJ-xxx-RKLS/x-95	89	SDD-1515-x-95-M	53	SDD-25H15-4-95-FJ	63
MDJ-xxx-RKLT/x-95	89	SDD-1515-x-95-MF	54	SDD-25H15-4-95-FN	63
MDJ-xxx-RN01-AGZ	87	SDD-1515-x-95-MFJ	54	SDD-25H15-4-95-FNJ	63
MDJ-xxx-RS01-AGZ	88	SDD-1515-x-95-MFN	54	SDD-25L15-2-95-F	62
MDJ-xxx-SN01-AGZ	91	SDD-1515-x-95-MFNJ	54	SDD-25L15-2-95-FJ	62
MDJ-xxx-SS01-AGZ	91	SDD-1515-x-95-MFS	54	SDD-25L15-2-95-FN	62
MDP-xxx-FA01-AGZ	92	SDD-1515-x-95-MFSJ	54	SDD-25L15-2-95-FNJ	62
MDP-xxx-MA01-AGZ	92	SDD-1515-x-95-MFSN	54	SDD-3737-x-95-F	57
MDP-xxx-MQ01-55	92	SDD-1515-x-95-MFSNJ	54	SDD-3737-x-95-FJ	57
SDD-0900-2-95-FN	49	SDD-1515-x-95-MJ	53	SDD-3737-x-95-FM	58
SDD-0900-2-95-FN	49	SDD-1515-x-95-MN	53	SDD-3737-x-95-FMJ	58
SDD-0900-2-95-MN	49	SDD-1515-x-95-MNJ	53	SDD-3737-x-95-FMN	58
SDD-0900-2-95-MNJ	49	SDD-1515-x-95-MS	53	SDD-3737-x-95-FMNJ	58
SDD-0909-x-95-F	51	SDD-1515-x-95-MSJ	53	SDD-3737-x-95-FMS	58
SDD-0909-x-95-FJ	51	SDD-1515-x-95-MSN	53	SDD-3737-x-95-FMSJ	58
SDD-0909-x-95-FM	52	SDD-1515-x-95-MSNJ	53	SDD-3737-x-95-FMSN	58
SDD-0909-x-95-FMJ	52	SDD-2500-2-95-FN	50	SDD-3737-x-95-FMSNJ	58

Part-Number	Page	Part-Number	Page	Part-Number	Page
SDD-3737-x-95-MFS	58	SDF-025-US91F-95/N	9	SDM-015-N900-95/N	26
SDD-3737-x-95-MFSJ	58	SDF-025-US91F-95/SN	9	SDM-xxx-N901-55/HX	23b
SDD-3737-x-95-MFSN	58	SDF-037-N900-95/C4	26	SDM-015-N900-95/NJ	26
SDD-3737-x-95-MFSNJ	58	SDF-037-N900-95/C4J	26	SDM-025-N900-95/C4	26
SDD-3737-x-95-MJ	57	SDF-037-N900-95/H	26	SDM-025-N900-95/C4J	26
SDD-3737-x-95-MN	57	SDF-037-N900-95/HJ	26	SDM-025-N900-95/H	OBSOLETE 26
SDD-3737-x-95-MNJ	57	SDF-037-N900-95/N	26	SDM-037-N900-95/H	OBSOLETE 26
SDD-3737-x-95-MS	57	SDF-037-N900-95/NJ	26	SDM-025-N900-95/N	26
SDD-3737-x-95-MSJ	57	SDF-xxx-B111-95/BR	20	SDM-025-N900-95/NJ	26
SDD-3737-x-95-MSN	57	SDF-xxx-B111-95/BRJ	20	SDM-037-N900-95/C4	26
SDD-3737-x-95-MSNJ	57	SDF-xxx-B111-95/FBRx	42	SDM-037-N900-95/C4J	26
SDD-H1500-2-95-FN	67	SDF-xxx-B111-95/FBRxJ	42	SDM-xxx-B111-95/FBRx	OBSOLETE 26
SDD-H1500-2-95-FNJ	67	SDF-xxx-B111-95/FBRxJ	46	SDM-037-N900-95/HJ	OBSOLETE 26
SDD-H1509-6-95-F	63a	SDF-xxx-B111-95/FT	42	SDM-037-N900-95/N	26
SDD-H1509-6-95-FJ	63a	SDF-xxx-B111-95/FT0	42	SDM-037-N900-95/NJ	26
SDD-H1509-6-95-FN	63a	SDF-xxx-B111-95/FTJ	42	SDM-xxx-B111-95/BR	21
SDD-H1509-6-95-FNJ	63a	SDF-xxx-B111-95/T	20	SDM-xxx-B111-95/BRJ	21
SDD-H1509-7-95-MF	63a	SDF-xxx-B111-95/T0	20	SDM-xxx-B111-95/FBRx	43
SDD-H1509-7-95-MFJ	63a	SDF-xxx-B111-95/TJ	20	SDM-xxx-B111-95/FBRxJ	43
SDD-H1509-7-95-MFN	63a	SDF-xxx-L900-95/L	28	SDM-xxx-B111-95/FT	43
SDD-H1509-7-95-MFNJ	63a	SDF-xxx-L900-95/LJ	28	SDM-xxx-B111-95/FT0	43
SDD-H15H15-4-95-F	65	SDF-xxx-L900-95/P	28	SDM-xxx-B111-95/FTJ	43
SDD-H15H15-4-95-FJ	65	SDF-xxx-L900-95/PJ	28	SDM-xxx-B111-95/T	21
SDD-H15H15-x-95-FM	65	SDF-xxx-M900-55/H	OBSOLETE 27	SDM-xxx-B111-95/T0	21
SDD-H15H15-x-95-FMJ	65	SDF-xxx-M900-55/HJ	OBSOLETE 27	SDM-xxx-B111-95/TJ	21
SDD-H15H15-x-95-FMN	65	SDF-xxx-M900-55/N	27	SDM-xxx-L900-95/L	28
SDD-H15H15-x-95-FMNJ	65	SDF-xxx-M900-55/NJ	27	SDM-xxx-L900-95/LJ	28
SDD-H15H15-4-95-FN	65	SDF-xxx-N900-55/A1T	22	SDM-xxx-L900-95/P	28
SDD-H15H15-4-95-FNJ	65	SDF-xxx-N900-55/A1TJ	22	SDM-xxx-L900-95/PJ	28
SDD-H26H26-x-95-F	66	SDF-xxx-N900-55/A2T	22	SDM-xxx-M900-55/H	OBSOLETE 27
SDD-H26H26-x-95-FJ	66	SDF-xxx-N900-55/A2TJ	22	SDM-xxx-M900-55/HJ	OBSOLETE 27
SDD-H26H26-x-95-FM	66	SDF-xxx-N901-55/HX	23a	SDM-xxx-M900-55/N	27
SDD-H26H26-x-95-FMJ	66	SDF-xxx-P150-95/P	30	SDM-xxx-M900-55/NJ	27
SDD-H26H26-x-95-FMN	66	SDF-xxx-S101-95/T	15	SDM-xxx-N900-55/A1T	22
SDD-H26H26-x-95-FMNJ	66	SDF-xxx-S101-95/T0	15	SDM-xxx-N900-55/A1TJ	22
SDD-H26H26-x-95-FN	66	SDF-xxx-S111-95/BR	18	SDM-xxx-N900-55/A2T	22
SDD-H26H26-x-95-FNJ	66	SDF-xxx-S111-95/BRJ	18	SDM-xxx-N900-55/A2TJ	22
SDD-H44H44-x-95-F	67	SDF-xxx-S111-95/BW	18	SDM-xxx-P150-95/P	30
SDD-H44H44-x-95-FJ	67	SDF-xxx-S111-95/BWJ	18	SDM-xxx-S101-95/T	15
SDD-H44H44-x-95-FN	67	SDF-xxx-S111-95/FBR	40	SDM-xxx-S101-95/T0	15
SDD-H44H44-x-95-FNJ	67	SDF-xxx-S111-95/FBRJ	40	SDM-xxx-S111-95/BR	19
SDD-L1525-2-95-F	62	SDF-xxx-S111-95/FT	40	SDM-xxx-S111-95/BRJ	19
SDD-L1525-2-95-FJ	62	SDF-xxx-S111-95/FT0	40	SDM-xxx-S111-95/BW	19
SDD-L1525-2-95-FN	62	SDF-xxx-S111-95/FTJ	40	SDM-xxx-S111-95/BWJ	19
SDD-L1525-2-95-FNJ	62	SDF-xxx-S111-95/T	18	SDM-xxx-S111-95/FBR	41
SDF-009-N900-95/C4	26	SDF-xxx-S111-95/T0	18	SDM-xxx-S111-95/FBRJ	41
SDF-009-N900-95/C4J	26	SDF-xxx-S111-95/TJ	18	SDM-xxx-S111-95/FT	41
SDF-009-N900-95/H	OBSOLETE 26	SDF-xxx-T900-55/A1T	22	SDM-xxx-S111-95/FT0	41
SDF-009-N900-95/HJ	OBSOLETE 26	SDF-xxx-T900-55/A1TJ	22	SDM-xxx-S111-95/FTJ	41
SDF-009-N900-95/N	26	SDF-xxx-T900-55/A2T	22	SDM-xxx-S111-95/T	19
SDF-009-N900-95/NJ	26	SDF-xxx-T900-55/A2TJ	22	SDM-xxx-S111-95/T0	19
SDF-009-US91-95/N	8	SDF-xxx-T970-95/H1N	24	SDM-xxx-S111-95/TJ	19
SDF-009-US91-95/SN	8	SDF-xxx-T970-95/H1NJ	24	SDM-xxx-T900-55/A1T	22
SDF-015-N900-95/C4	26	SDF-xxx-T970-95/H2N	24	SDM-xxx-T900-55/A1TJ	22
SDF-015-N900-95/C4J	26	SDF-xxx-T970-95/H2NJ	24	SDM-xxx-T900-55/A2T	22
SDF-015-N900-95/H	OBSOLETE 26	SDM-009-N900-95/C4	26	SDM-xxx-T900-55/A2TJ	22
SDF-015-N900-95/HJ	OBSOLETE 26	SDM-009-N900-95/C4J	26	SDM-xxx-T970-95/H1N	25
SDF-015-N900-95/N	26	SDM-009-N900-95/H	26	SDM-xxx-T970-95/H1NJ	25
SDF-015-N900-95/NJ	26	SDM-009-N900-95/H1N	23	SDM-xxx-T970-95/H2N	25
SDF-015-N900-95/YC4	26	SDM-009-N900-95/H1NJ	23	SDM-xxx-T970-95/H2NJ	25
SDF-015-N900-95/YC4J	26	SDM-009-N900-95/H2N	23	SDP-2599-2-95-FM	68
SDF-015-N900-95/YH	OBSOLETE 26	SDM-009-N900-95/H2NJ	23	SDP-2599-2-95-FMJ	68
SDF-015-N900-95/YHJ	OBSOLETE 26	SDM-009-N900-95/HJ	OBSOLETE 26	SDP-2599-2-95-FMN	68
SDF-015-N900-95/YNJ	26	SDM-009-N900-95/N	26	SDP-2599-2-95-FMNJ	68
SDF-015-US91-95/N	8	SDM-009-N900-95/NJ	26	SDP-259H15-4-95-FMF	68
SDF-015-US91-95/SN	8	SDM-009-N900-95/TC4	26	SDP-259H15-4-95-FMFJ	68
SDF-025-N900-95/BC4	26	SDM-009-N900-95/TC4J	26	SDP-259H15-4-95-FMFn	68
SDF-025-N900-95/BC4J	26	SDM-009-N900-95/TH	OBSOLETE 26	SDP-259H15-4-95-FMFnJ	68
SDF-025-N900-95/BH	OBSOLETE 26	SDM-009-N900-95/THJ	OBSOLETE 26	SFF-xxx-L900-95/L	45
SDF-025-N900-95/BHJ	OBSOLETE 26	SDM-009-N900-95/TN	26	SFF-xxx-L900-95/LJ	45
SDF-025-N900-95/BNJ	26	SDM-009-N900-95/TNJ	26	SFF-xxx-L900-95/P	45
SDF-025-N900-95/C4	26	SDM-009-US91F-95/N	9	SFF-xxx-L900-95/PJ	45
SDF-025-N900-95/C4J	26	SDM-009-US91F-95/SN	9	SFF-xxx-N900-95/H	44
SDF-025-N900-95/H	OBSOLETE 26	SDM-015-N900-95/C4	26	SFF-xxx-N900-95/HJ	OBSOLETE 44
SDF-025-N900-95/HJ	OBSOLETE 26	SDM-015-N900-95/C4J	26	SFF-xxx-N900-95/N	OBSOLETE 44
SDF-025-N900-95/N	26	SDM-015-N900-95/H	26	SFF-xxx-N900-95/NJ	44
SDF-025-N900-95/NJ	26	SDM-015-N900-95/HJ	26		

Part-Number	Page	Part-Number	Page	Part-Number	Page
SDM-xxx-T900-55/A2T	22	SHF-xxx-S111-95/BR	32	ULS-W04-RAS0-95	74
SDM-xxx-T900-55/A2TJ	22	SHF-xxx-S111-95/BRJ	32	ULS-W04-RBS0-95	78
SDM-xxx-T970-95/H1N	25	SHF-xxx-S111-95/BW	32	ULS-W04-SAS0-95	74
SDM-xxx-T970-95/H1NJ	25	SHF-xxx-S111-95/BWJ	32	UMS-B04-SAS0-95	OBSOLETE 79
SDM-xxx-T970-95/H2N	25	SHF-xxx-S111-95/T	32	UMS-B04-SBS0-95	OBSOLETE 79
SDM-xxx-T970-95/H2NJ	25	SHF-xxx-S111-95/T0	32	UMS-B04-SBS2-98	OBSOLETE 79
SDP-2599-2-95-FM	68	SHF-xxx-S111-95/TJ	32	UMS-B05-SB21-95	79
SDP-2599-2-95-FMJ	68	SHM-xxx-B111-55/BR	35	UNS-B05-SKB21-58/R	79a
SDP-2599-2-95-FMN	68	SHM-xxx-B111-55/BRJ	35	UNS-B05-SKB2L-58/R	79a
SDP-2599-2-95-FMNX	68	SHM-xxx-B111-55/T	35	UNS-B05-SKB2P-58/R	79a
SDP-259H15-4-95-FMF	68	SHM-xxx-B111-55/T0	35	UNS-B05-SWB2W-56/R	79a
SDP-259H15-4-95-FMFJ	68	SHM-xxx-B111-55/TJ	35	USC-xxxx-2AMBMB-BG/G	82
SDP-259H15-4-95-FMFN	68	SHM-xxx-B111-95/FBRx	46	USC-xxxx-4AMAM-CH/G	82
SDP-259H15-4-95-FMFNJ	68	SHM-xxx-B111-95/FBRxJ	46	USC-xxxx-4BMBM-CH/G	82
SFF-xxx-L900-95/L	45	SHM-xxx-B111-95/FT	46	USC-xxxx-4IMIM-CH/G	82
SFF-xxx-L900-95/LJ	45	SHM-xxx-B111-95/FT0	46	USC-xxxx-5BMBM-CH/G	82
SFF-xxx-L900-95/P	45	SHM-xxx-B111-95/FTJ	46	USC-xxxx-AMAF-BG/G	82
SFF-xxx-L900-95/PJ	45	SHM-xxx-F900-55/FH	OBSOLETE 47	USC-xxxx-AMAM-BG/G	82
SFF-xxx-N900-95/H	44	SHM-xxx-F900-55/FHJ	OBSOLETE 47	USC-xxxx-BMBM-BG/G	82
SFF-xxx-N900-95/HJ	44	SHM-xxx-F900-55/FN	OBSOLETE 47	USC-xxxx-IM4IM-CH/B	82
SFF-xxx-N900-95/N	44	SHM-xxx-F900-55/FNJ	OBSOLETE 47	USC-xxxx-IMIM-CH/G	82
SFF-xxx-N900-95/NJ	44	SHM-xxx-F900-55/H	37	USP-B04-SA01-95	77
SFM-xxx-L900-95/L	45	SHM-xxx-F900-55/HJ	37	USP-B04-SA11-95	77
SFM-xxx-L900-95/LJ	45	SHM-xxx-F900-55/N	37	USP-B04-SA21-95	77
SFM-xxx-L900-95/P	45	SHM-xxx-F900-55/NJ	37	USP-B04-SA31-95	77
SFM-xxx-L900-95/PJ	45	SHM-xxx-S101-95/T	36	USS-B04-RA01-95	74
SFM-xxx-N900-95/H	44	SHM-xxx-S101-95/T0	36	USS-B04-RA02-95	75
SFM-xxx-N900-95/HJ	44	SHM-xxx-S111-95/BR	33	USS-B04-RB01-95	78
SFM-xxx-N900-95/N	44	SHM-xxx-S111-95/BRJ	33	USS-B04-SA01-95	74
SFM-xxx-N900-95/NJ	44	SHM-xxx-S111-95/BW	33	USS-B04-SB01-95	78
SHF-015-F900-95/VN	37	SHM-xxx-S111-95/BWJ	33	USS-B04-SBS0-95	78
SHF-015-F900-95/VNJ	37	SHM-xxx-S111-95/T	33	USS-B04-TA01-95	74
SHF-015-US98-95/N	10	SHM-xxx-S111-95/T0	33	USS-B04-TB01-95	78
SHF-015-US98-95/SN	10	SHM-xxx-S111-95/TJ	33	USS-B04-UB01-95	78
SHF-xxx-B111-95/BR	34	SKF-xxx-S201-95/T	16	USS-B04-VA01-95	74
SHF-xxx-B111-95/BRJ	34	SKF-xxx-S201-95/T0	16	USS-B08-TA02-95	75
SHF-xxx-B111-95/FBRx	OBSOLETE 46	SKF-xxx-S202-95/T	17	USS-B12-RA03-95	75
SHF-xxx-B111-95/FT	OBSOLETE 46	SKF-xxx-S202-95/T0	17	USS-BU09-RA31-98	76
SHF-xxx-B111-95/FT0	OBSOLETE 46	SKM-xxx-S201-95/T	16	USS-BU09-RAS31-98	76
SHF-xxx-B111-95/FTJ	OBSOLETE 46	SKM-xxx-S201-95/T0	16	USS-BU18-RA32-98	76
SHF-xxx-B111-95/T	34	SKM-xxx-S202-95/T	17	USS-W04-RA01-95	74
SHF-xxx-B111-95/T0	34	SKM-xxx-S202-95/T0	17	USS-W04-RA02-95	75
SHF-xxx-B111-95/TJ	34	SLO-xxx-T106-NN	70	USS-W04-RB01-95	78
SHF-xxx-F900-55/FH	OBSOLETE 47	SSF-015-HU98-95/N	13	USS-W04-SAS0-95	74
SHF-xxx-F900-55/FHJ	OBSOLETE 47	SSF-015-HU98-95/R	13	USS-W04-SB01-95	OBSOLETE 78
SHF-xxx-F900-55/FN	OBSOLETE 47	SSF-xxx-U908-95/N	11	USS-W04-SBS0-95	78
SHF-xxx-F900-55/FNJ	OBSOLETE 47	SSF-xxx-U908-95/R	11	USS-W04-TA01-95	74
SHF-xxx-F900-55/H	OBSOLETE 37	SSM-xxx-U908-95/N	12	USS-W04-TB01-95	78
SHF-xxx-F900-55/HJ	OBSOLETE 37	SSM-xxx-U908-95/R	12	USS-W04-UB01-95	78
SHF-xxx-F900-55/N	37	ULS-B04-RAS0-95	74	USS-W04-VA01-95	74
SHF-xxx-F900-55/NJ	37	ULS-B04-RBS0-95	78	USS-W08-TA02-95	75
SHF-xxx-S101-95/T	36	ULS-B04-SAS0-95	74	USS-W12-RA03-95	75
SHF-xxx-S101-95/T0	36	ULS-BU09-SAS31-98	76		

General information concerning the E-tec interconnect products

Specifications

The data contained in this catalog is of general nature and refers to standard products. For example, general tolerances +/- 0.25mm, a „Current rating“ at an ambient temperature of 25° C reflects the value per individual contact. Should you require any further data or test reports, you can obtain this information from your nearest E-tec sales office.

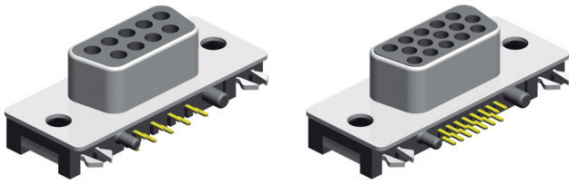
The E-tec connectors conform with signal integrity requirements at high data and frequency rates. However we cannot offer a general information about the max. frequency or data transmission rate. For such a statement, it would require more information about the chosen configuration and pin-out, the length of the cable and/or any other specific requirements regarding the application itself and its related signal integrity. E-tec SMT connectors, male or female, are offered with a coplanarity of max. 0,10mm. They are adapted to all modern SMT soldering processes and they can be handled easily with all currently existing placing techniques. Customers may choose between various packaging options, such as tray, tube and reel.

GENERAL POLICY

All information contained in this catalog, including illustrations, specifications and dimensions are accurate to the best of our knowledge, and reflect the status as at the date of publication. Due to technical progress, it is subject to change without notice. Application information is informational in nature and shall not be construed to warrant suitability of products for any particular purpose as performance may vary depending on the conditions to which a product is subjected. Unless otherwise confirmed at the time of order, all E-tec products are non cancellable and non returnable items (NCNR). E-tec products are warranted for 30 days and the warranty is limited strictly to replacement of products. This warranty does not cover any claims for natural wear and tear, nor for any compensations, such as loss of production, loss of use, loss of orders, loss of profit, nor any other direct or indirect damages.

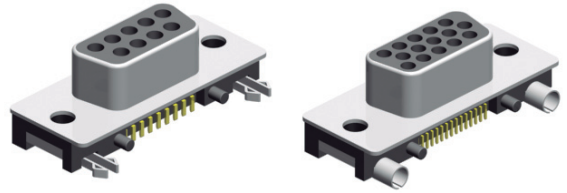
ULTRA SLIM PROFILE

Standard & HD right angle "solder tail"



Page 8, 9 & 10

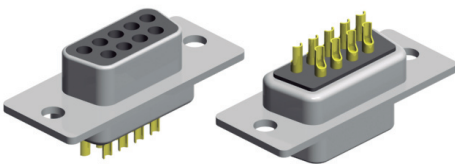
Standard & HD right angle "SMT"



Page 11, 12 & 13

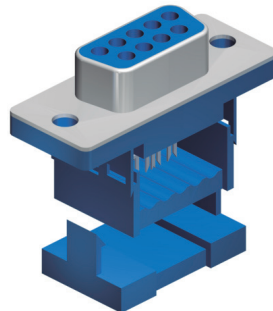
STANDARD VERSION

Hand Solder (solder cup) Type



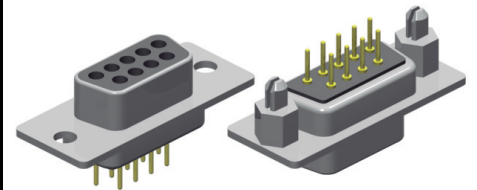
Page 15

IDC Type



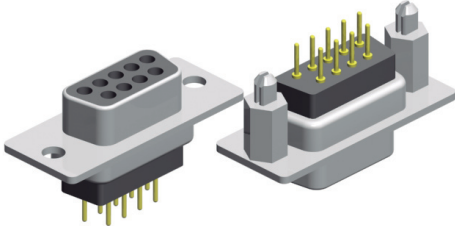
Page 16 & 17

Vertical Solder tail Type



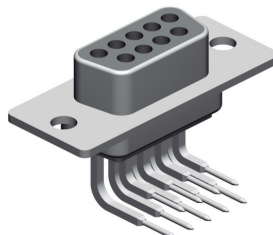
Page 18 & 19

Raised Vertical Solder tail Type



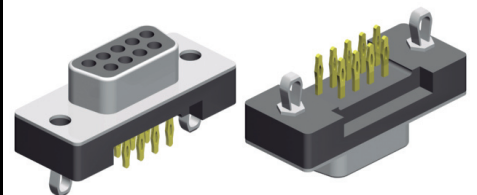
Page 20 & 21

Right Angle "open body" Type



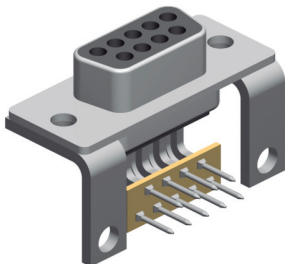
Page 22

Press Fit Type



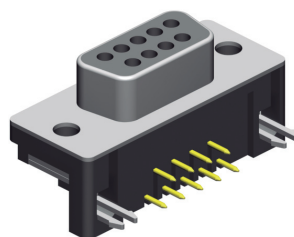
Page 30

Right Angle "open body" Type
6.30mm & 7.30mm centre



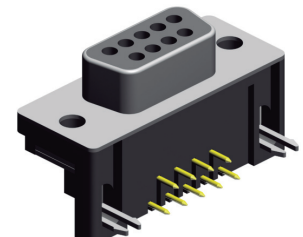
Page 23, 24 & 25

Right Angle "closed body" Type
US Style Footprint 8.08mm



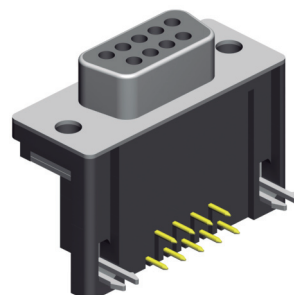
Page 26

Right Angle "closed body" Type
Euro Style Footprint 9.40mm



Page 27

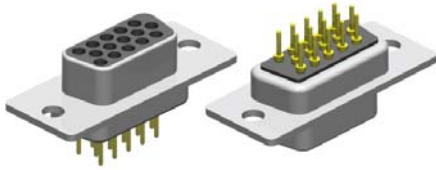
Right Angle "closed body" Type **Long Style** Footprint 15.00mm



Page 28

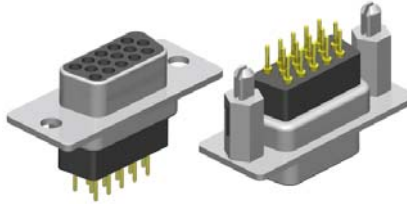
HIGH DENSITY

Vertical Solder-tail Type



Page 32 & 33

Raised Vertical Solder-tail Type



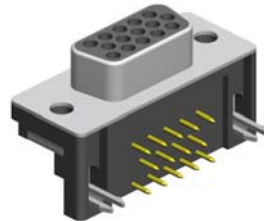
Page 34 & 35

Hand Solder (solder cup) Type



Page 36

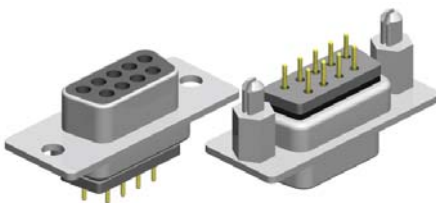
Right Angle "closed body" Type



Page 37

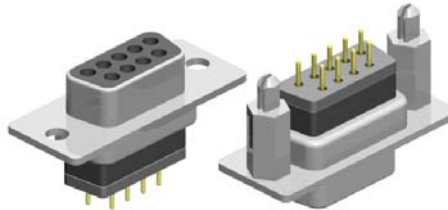
D-SUB WITH FERRITE FILTER

Vertical Solder-tail Type



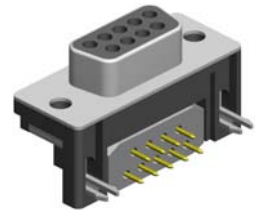
Page 40 & 41

Raised Vertical Solder-tail Type



Page 42 & 43

Right Angle "closed body" Type
US Style Footprint 8.08mm



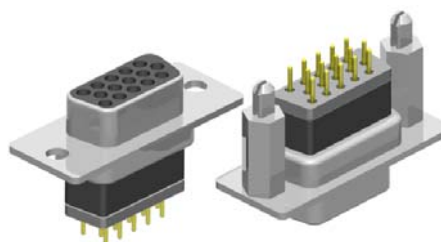
Page 44

Right Angle "closed body" Type
Long Style Footprint 15.00mm



Page 45

"High Density"
Raised Vertical Solder-tail Type



Page 46 **OBSOLETE**

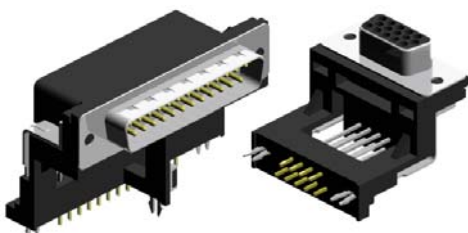
"High Density"
Right Angle "closed body" Type



Page 47 **OBSOLETE**

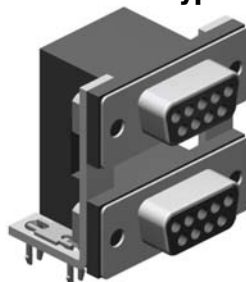
Raised & MULTI PORT

Raised Type



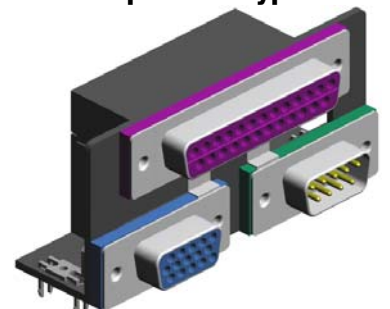
Page 49, 50 & 67

Dual Port Type



Page 51 to 67

Triple Port Type



Page 68

D-SUB ACCESSORIES

Jack Screws and Slide Locking System



Page 70

Hoods



Page 71

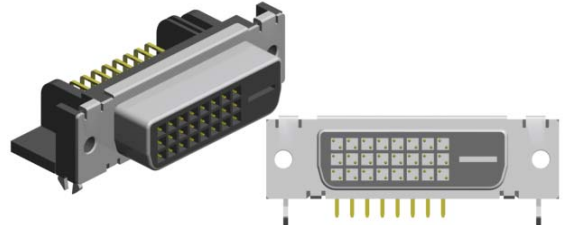
DVI

Analog & Digital 24+4-contact - Right Angle Type



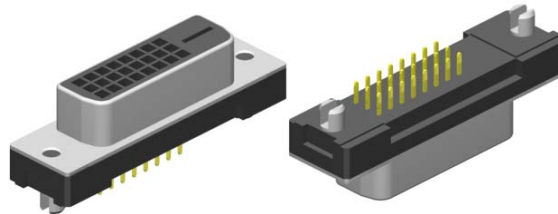
Page 84

Digital 24-contact - Right Angle Type



Page 84

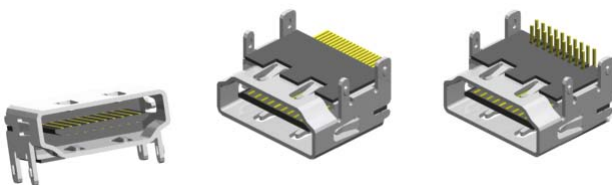
Digital 24-contact - Vertical Type



Page 85

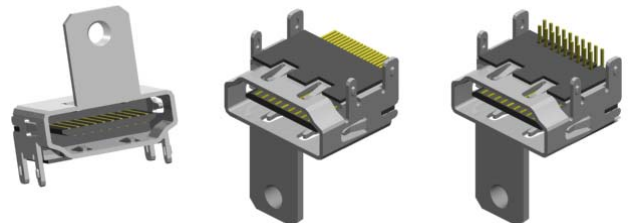
HDMI

SMT & Solder Tail without Mounting Flange



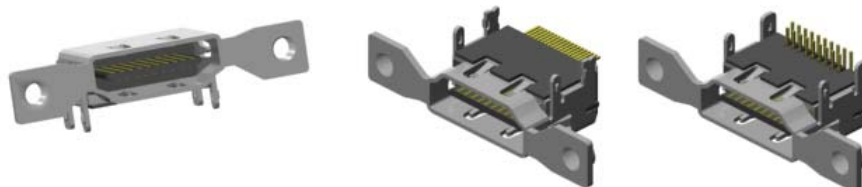
Page 94 & 95

SMT & Solder Tail with "top" Mounting Flange



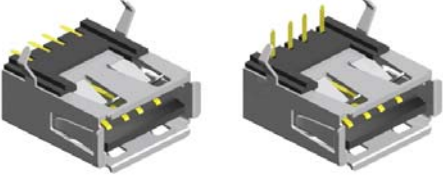
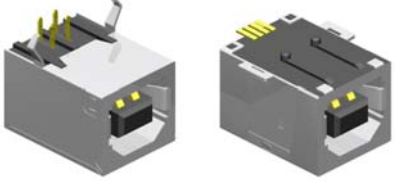

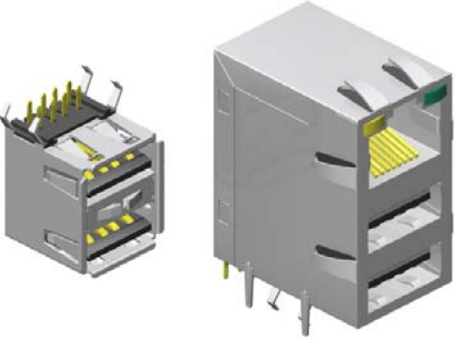
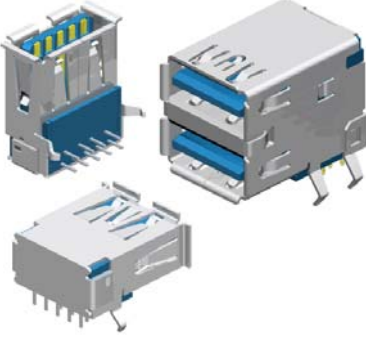

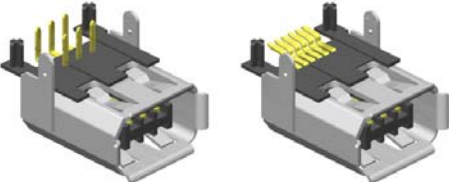
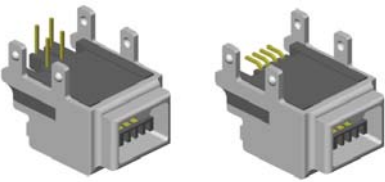

Page 94 & 95

SMT & Solder Tail with "wing" Mounting Flange



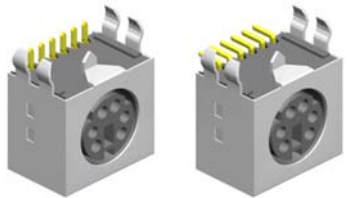
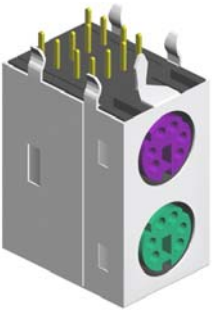
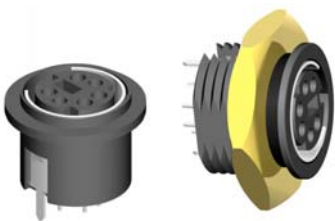



Page 96

USB & IEEE 1394 CONNECTORS

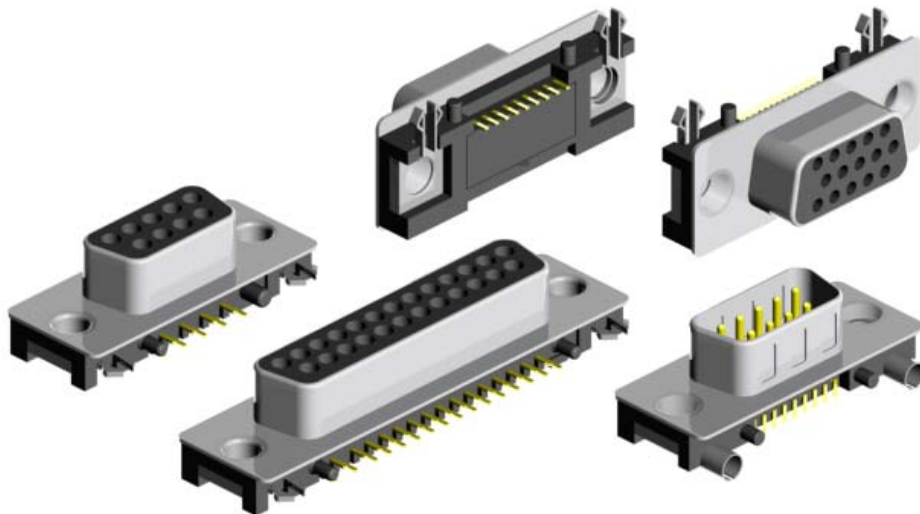
<p>USB Connector Type "A"</p>  <p>Page 74</p>	<p>USB Connector Type "B"</p>  <p>Page 78</p>	<p>Mini USB Connector Type "A" & "B"</p>  <p>Page 79</p>
<p>Multi Port USB Connector Type "A"</p>  <p>Page 75</p>	<p>USB Connector 3.0 Type "A"</p>  <p>Page 76</p>	<p>USB Plug</p>  <p>Page 77</p>
<p>IEEE 1394 Connector 6-Contact Type</p>  <p>Page 80</p>	<p>IEEE 1394 Connector 4-Contact Type</p>  <p>Page 81</p>	<p>USB & IEEE 1394 Connector Cable Assembly</p>  <p>Page 82</p>

MINI DIN CONNECTORS

<p>Non Shielded Type</p>  <p>Page 87</p>	<p>Shielded Type</p>  <p>Page 88</p>	<p>Low Profile Type Solderetail & SMT</p>  <p>Page 89</p>
<p>Dual Port Type</p>  <p>Page 90</p>	<p>Straight & Wall Mounting Type</p>  <p>Page 91</p>	<p>Plugs</p>  <p>Page 92</p>

Ultra Slim Profile

D-Sub



Ultra Slim Profile D-Sub Connectors are designed in order to save space on the PC-Boards.

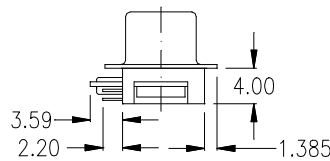
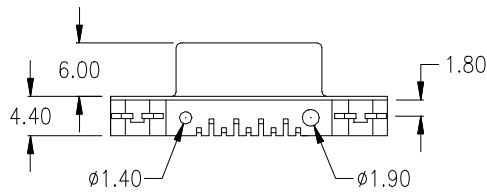
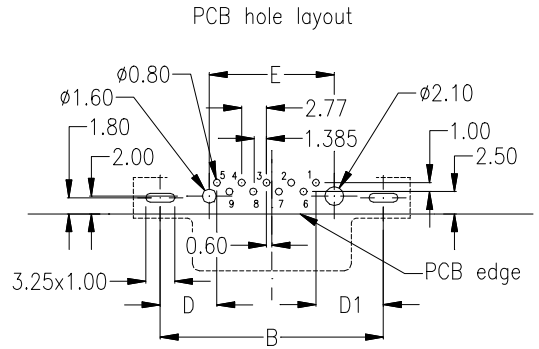
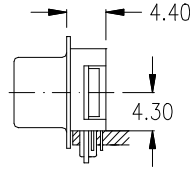
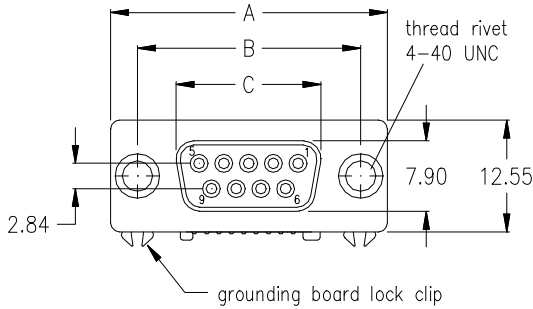
Standard and High Density versions for through hole “Wave Solder” and “Pin-In-Paste” Technology, as well as regular SMT types, right angle male and female are available.

SD Series - D-Sub 90°
US91 Ultra Slim Profile

"Wave Solder" & "Pin-In-Paste" Technology



female



for technical & electrical specification please go to page 72

No. of contacts	Dimension					
	A	B	C	D	D1	E
009	30.81 1.213	24.99 .984	16.33 .643	6.36 .250	7.56 .298	14.00 .551

Ordering Code

for "Wave Solder" Technology

SDF - 009 - US91 - 95 / N

for "Pin-In-Paste" Technology

SDF - 009 - US91 - 95 / SN

Option:

Jack Screw has to be ordered separately.

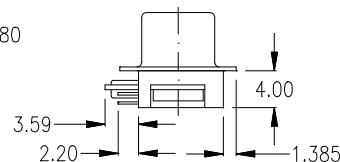
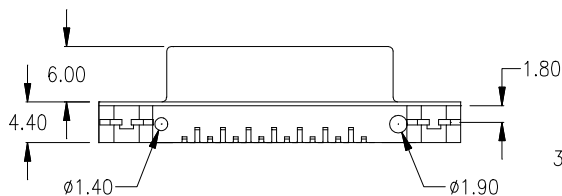
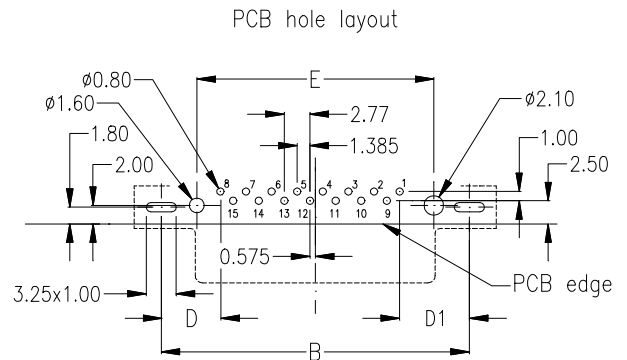
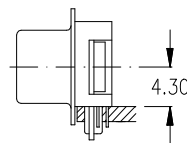
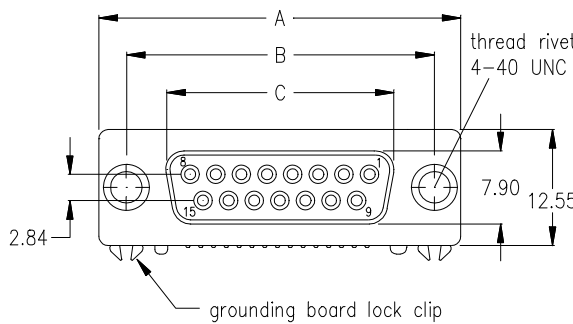
See page 70

Plating: -95= tin(leadfree)/gold

Special product.

Please ask for availability and minimum order quantity before you consider the article for development, design in or production purposes.

female



for technical & electrical specification please go to page 72

No. of contacts	Dimension					
	A	B	C	D	D1	E
015	39.14 1.541	33.32 1.312	24.66 .971	6.39 .252	7.54 .297	25.64 1.009

Ordering Code

for "Wave Solder" Technology

SDF - 015 - US91 - 95 / N

for "Pin-In-Paste" Technology

SDF - 015 - US91 - 95 / SN

Option:

Jack Screw has to be ordered separately.

See page 70

Plating: -95= tin(leadfree)/gold

Special product.

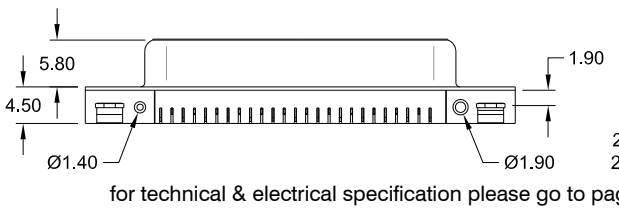
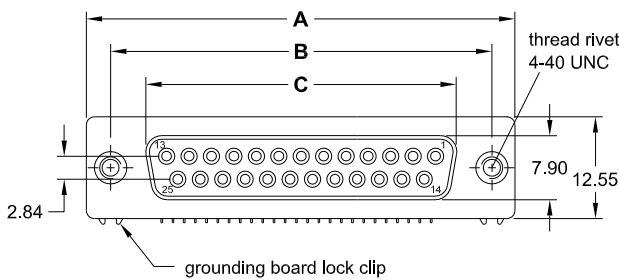
Please ask for availability and minimum order quantity before you consider the article for development, design in or production purposes.

SD Series - D-Sub 90° US91 Ultra Slim Profile

"Wave Solder" (THT) & "Pin-In-Paste" (THR) Technology

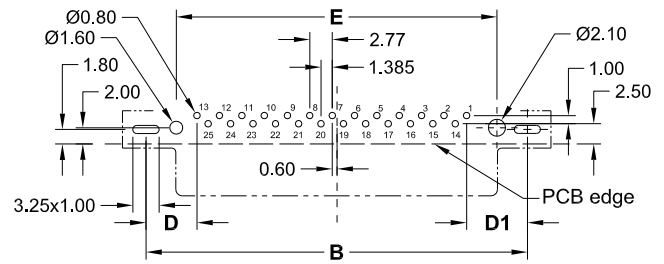


female



for technical & electrical specification please go to page 72

PCB hole layout



Special Product.
Please ask for availability and minimum order quantity before you consider the article for development, design in or production purposes.

No. of contacts	Dimension					
	A	B	C	D	D1	E
025	53.04	47.04	38.38	6.30	7.50	39.54
	2.088	1.852	1.511	.248	.295	1.557

Ordering Code

for "Wave Solder" (THT) Technology

SDF - 025 - US91F - 95 / N

for "Pin-In-Paste" (THR) Technology

SDF - 025 - US91F - 95 / SN

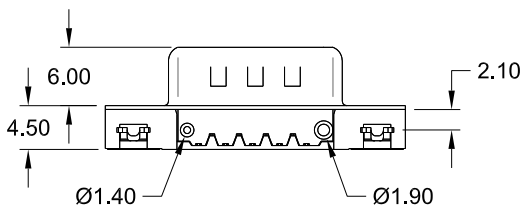
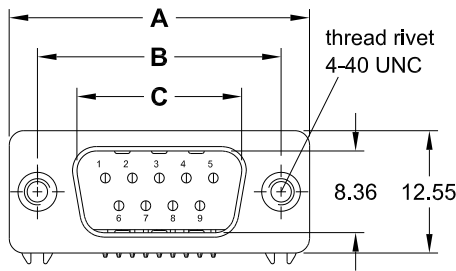
Option:

Jack Screw has to be ordered separately.

See page 70

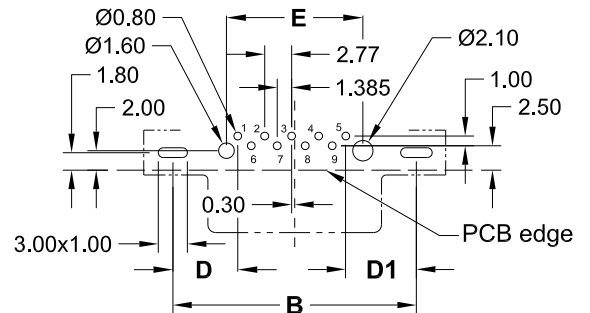
Plating: -95= tin(leadfree)/gold

male



for technical & electrical specification please go to page 72

PCB hole layout



Special Product.
Please ask for availability and minimum order quantity before you consider the article for development, design in or production purposes.

No. of contacts	Dimension					
	A	B	C	D	D1	E
009	30.81	24.99	16.92	6.66	7.26	14.00
	1.213	.984	.666	..262	.286	.551

Ordering Code

for "Wave Solder" (THT) Technology

SDM - 009 - US91F - 95 / N

for "Pin-In-Paste" (THR) Technology

SDM - 009 - US91F - 95 / SN

Option:

Jack Screw has to be ordered separately.

See page 70

Plating: -95= tin(leadfree)/gold

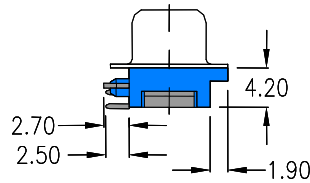
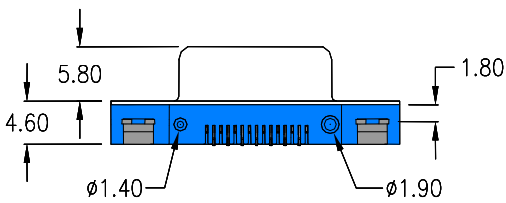
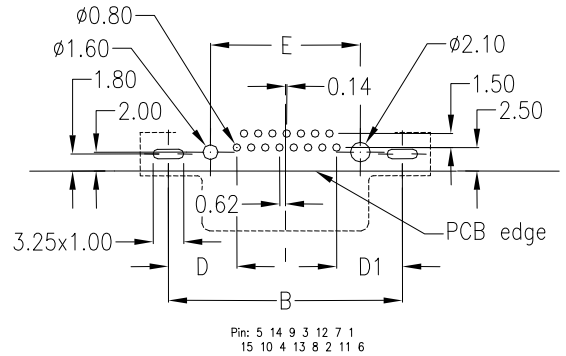
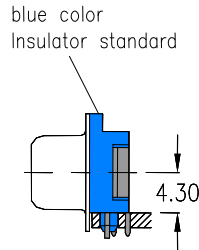
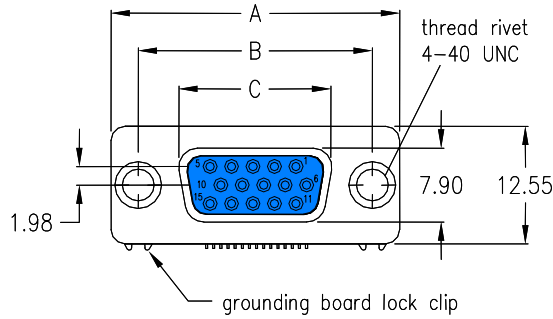
SH Series - High Density D-Sub 90° US98 Ultra Slim Profile

"Wave Solder" & "Pin-In-Paste" Technology



female

PCB hole layout



for technical & electrical specification please go to page 72

No. of contacts	Dimension					
	A	B	C	D	D1	E
015	30.81	24.99	16.33	7.32	7.04	16.00
	1.213	.984	.643	.288	.277	.630

Ordering Code

for "Wave Solder" Technology

SHF - 015 - US98 - 95 / VN

for "Pin-In-Paste" Technology

SHF - 015 - US98 - 95 / VSN

Option:

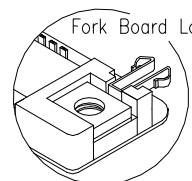
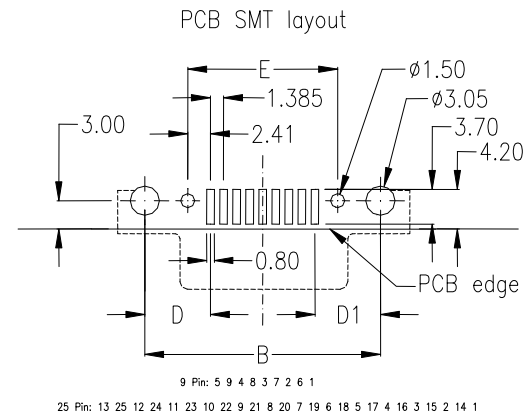
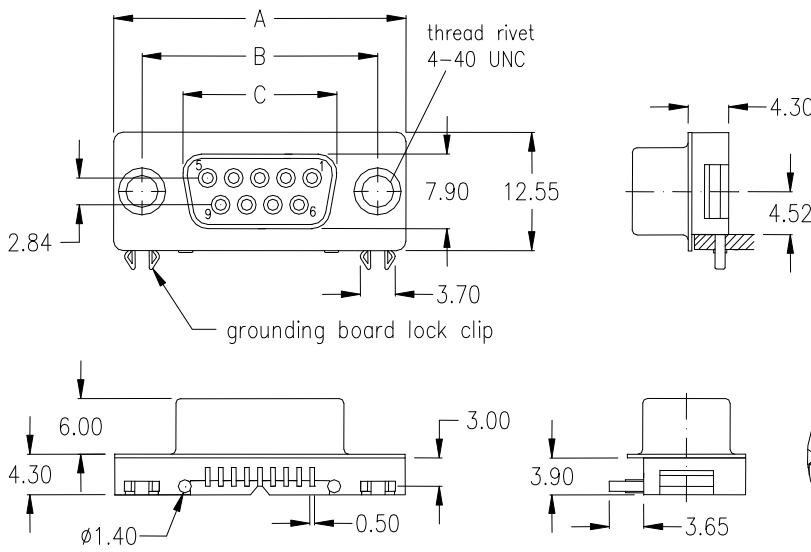
Jack Screw has to be ordered separately.

See page 70

Please ask for black color insulator availability

Plating: -95= tin(leadfree)/gold

female – with fork board lock type –



Special product.
Please ask for availability and minimum order quantity before you consider the article for development, design in or production purposes.

for technical & electrical specification please go to page 72

No. of contacts	Dimension					
	A	B	C	D	D1	E
009	30.81 1.213	24.99 .984	16.33 .643	6.96 .274	6.96 .274	15.90 .626
025	53.04 2.088	47.04 1.852	38.38 1.511	6.90 .272	6.90 .272	38.06 1.498

Ordering Code

SSF - xxx - U908 - 95 / N

No. of contacts

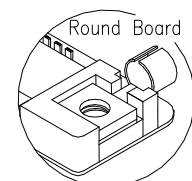
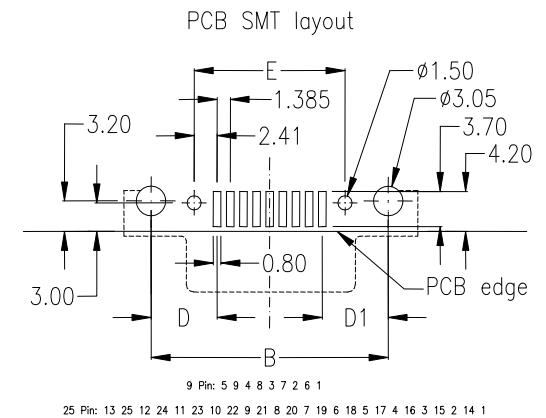
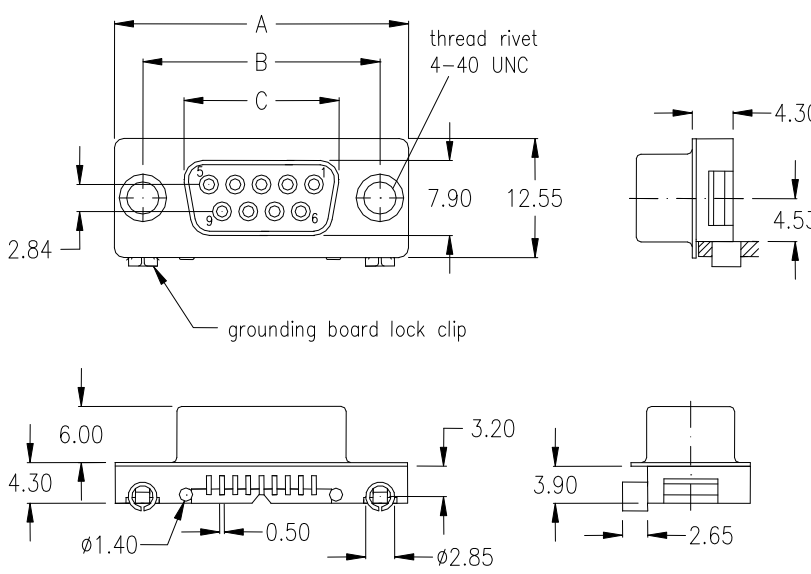
Plating: -95= tin(leadfree)/gold

Option:

Jack Screw has to be ordered separately.

See page 70

female – with round board lock type –



Special product.
Please ask for availability and minimum order quantity before you consider the article for development, design in or production purposes.

for technical & electrical specification please go to page 72

No. of contacts	Dimension					
	A	B	C	D	D1	E
009	30.81 1.213	24.99 .984	16.33 .643	6.96 .274	6.96 .274	15.90 .626
025	53.04 2.088	47.04 1.852	38.38 1.511	6.90 .272	6.90 .272	38.06 1.498

Ordering Code

SSF - xxx - U908 - 95 / R

No. of contacts

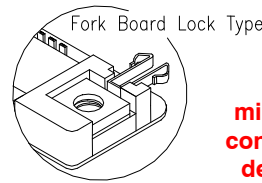
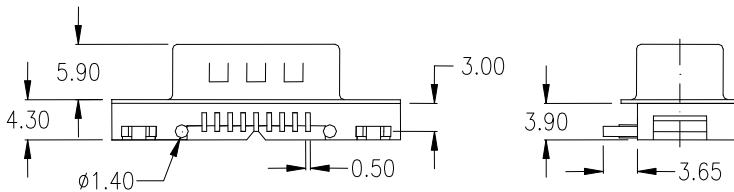
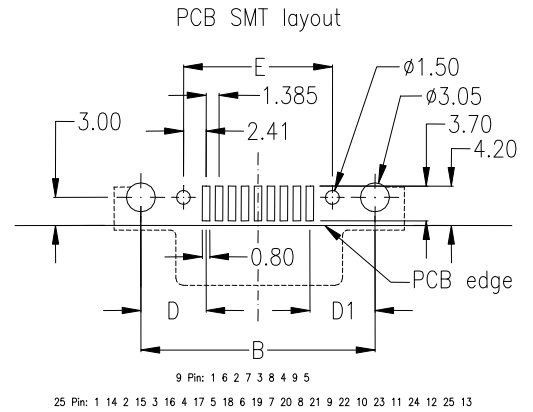
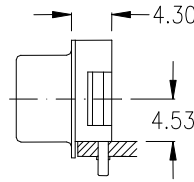
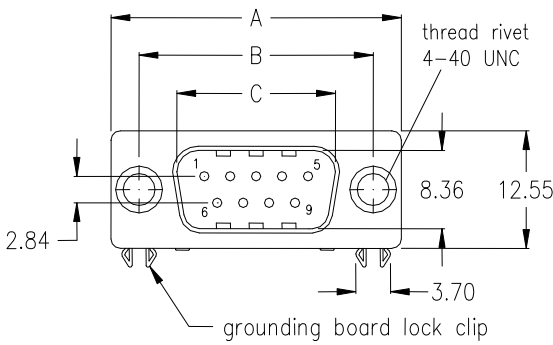
Plating: -95= tin(leadfree)/gold

Option:

Jack Screw has to be ordered separately.

See page 70

male - with fork board lock type -



Special product.
Please ask for availability and minimum order quantity before you consider the article for development, design in or production purposes.

for technical & electrical specification please go to page 72

No. of contacts	Dimension					
	A	B	C	D	D1	E
009	30.81 1.213	24.99 .984	16.92 .666	6.96 .274	6.96 .274	15.90 .626
025	53.04 2.088	47.04 1.852	38.96 1.534	6.90 .272	6.90 .272	38.06 1.498

Ordering Code

SSM - xxx - U908 - 95 / N

No. of contacts

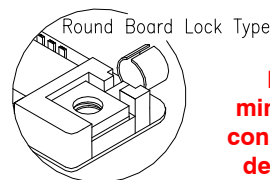
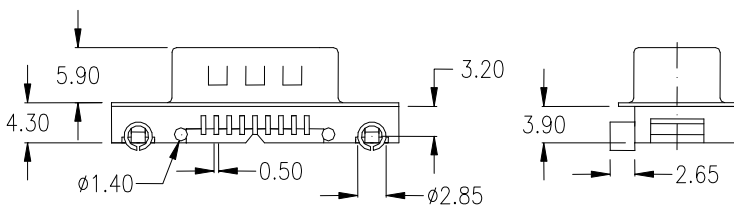
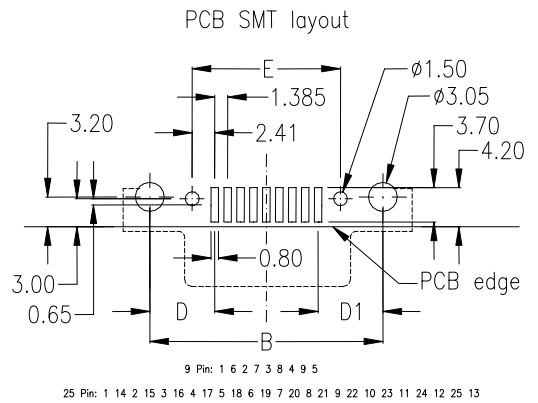
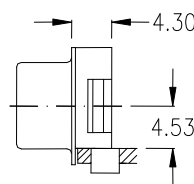
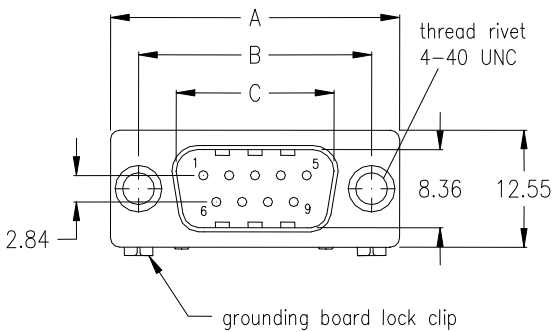
Plating: -95= tin(leadfree)/gold

Option:

Jack Screw has to be ordered separately.

See page 70

male - with round board lock type -



Special product.
Please ask for availability and minimum order quantity before you consider the article for development, design in or production purposes.

for technical & electrical specification please go to page 72

No. of contacts	Dimension					
	A	B	C	D	D1	E
009	30.81 1.213	24.99 .984	16.92 .666	6.96 .274	6.96 .274	15.90 .626
025	53.04 2.088	47.04 1.852	38.96 1.534	6.90 .272	6.90 .272	38.06 1.498

Ordering Code

SSM - xxx - U908 - 95 / R

No. of contacts

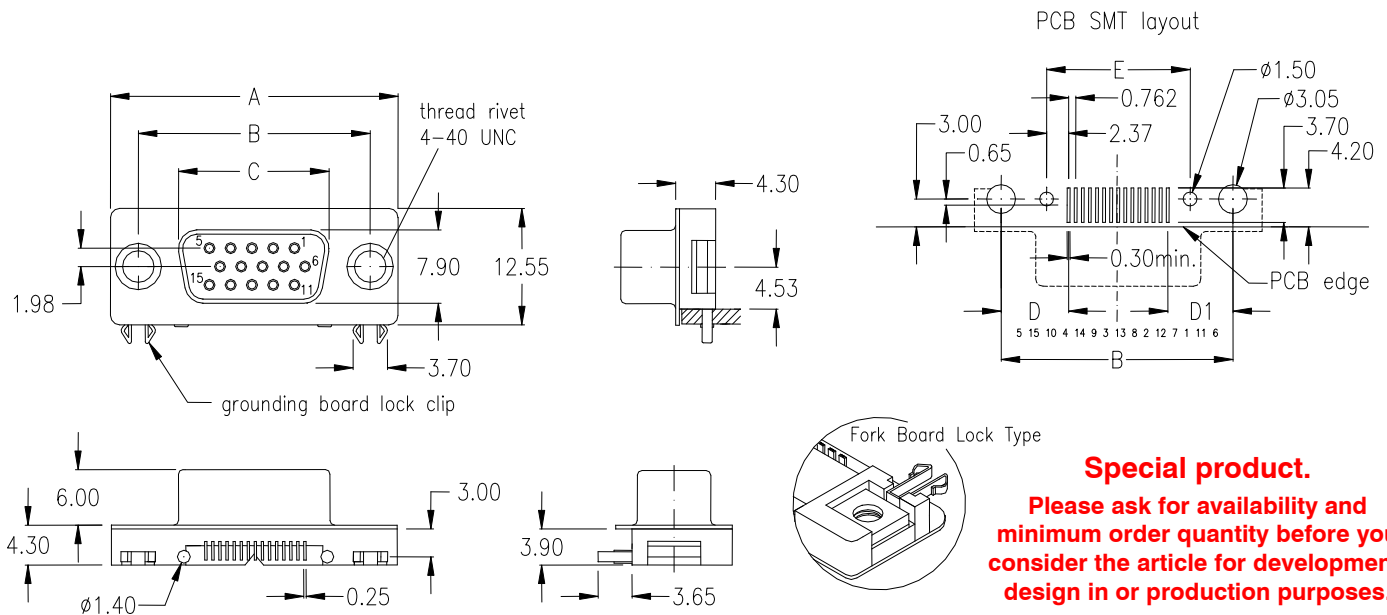
Plating: -95= tin(leadfree)/gold

Option:

Jack Screw has to be ordered separately.

See page 70

female - with fork board lock type -



for technical & electrical specification please go to page 72

No. of contacts	Dimension					
	A	B	C	D	D1	E
015	30.81 1.213	24.99 .984	16.33 .643	7.296 .287	7.026 .277	15.46 .609

Ordering Code

SSF - 015 - HU98 - 95 / N

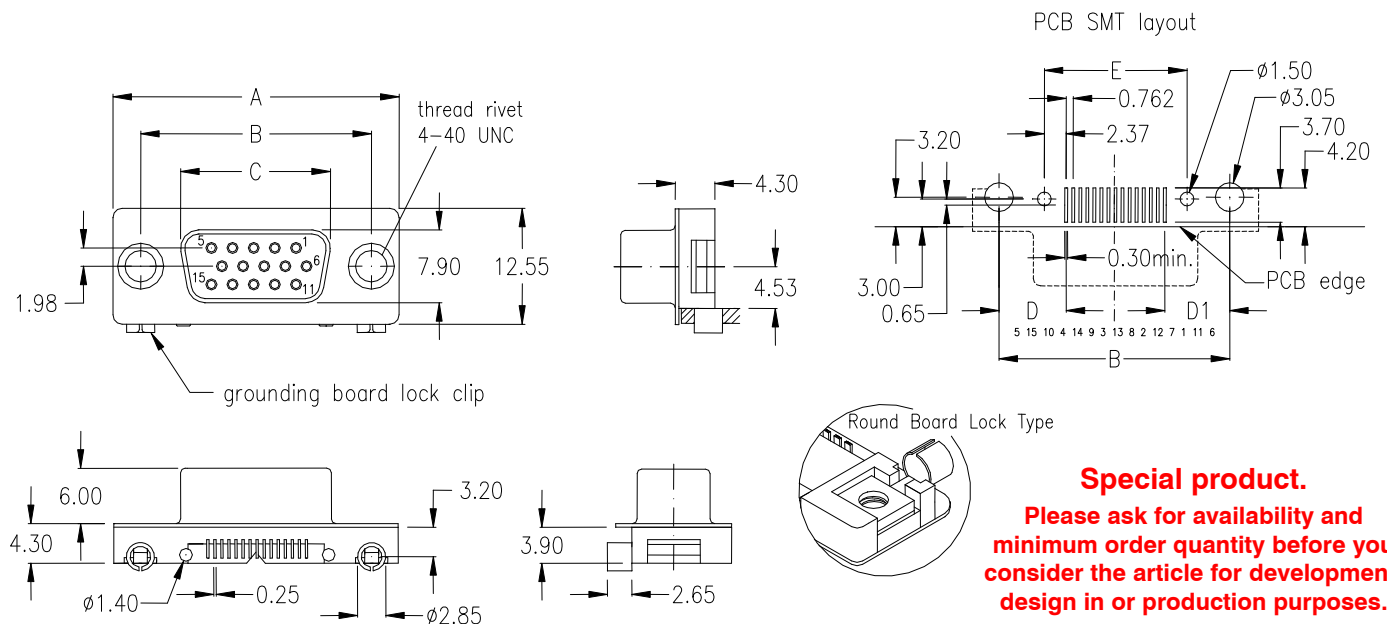
Option:

Jack Screw has to be ordered separately.

See page 70

Plating: -95= tin(leadfree)/gold

female - with round board lock type -



for technical & electrical specification please go to page 72

No. of contacts	Dimension					
	A	B	C	D	D1	E
015	30.81 1.213	24.99 .984	16.33 .643	7.296 .287	7.026 .277	15.46 .609

Ordering Code

SSF - 015 - HU98 - 95 / R

Option:

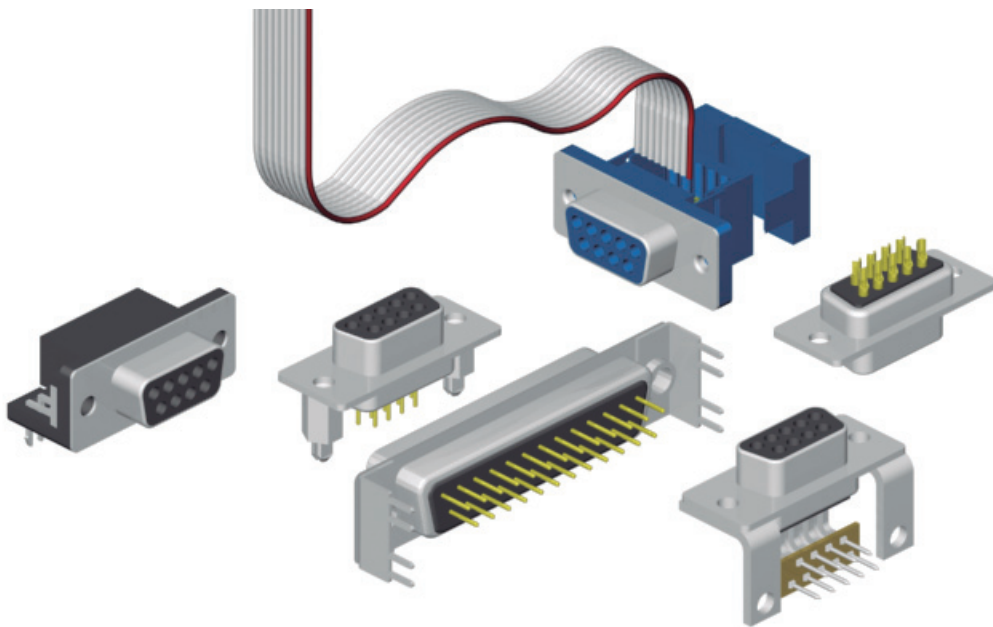
Jack Screw has to be ordered separately.

See page 70

Plating: -95= tin(leadfree)/gold

Standard Version

D-Sub

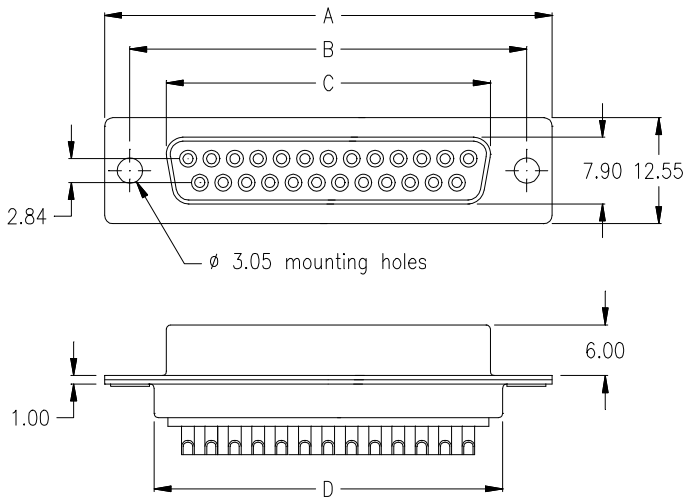


Our D-Sub Connectors conform to industrial specifications and are compatible with DIN 41 652 norms, IEC 48 B, HE 5 etc.....

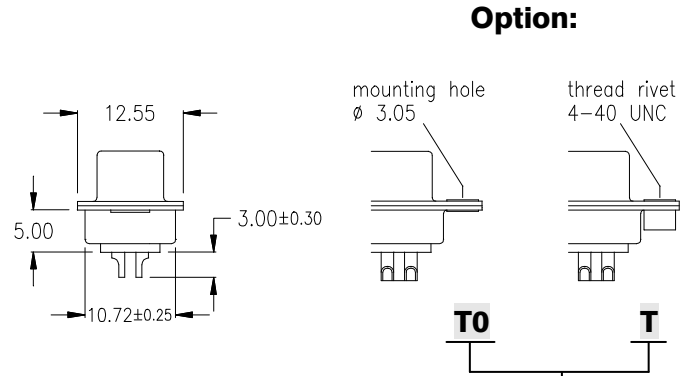
They are compatible with all other D-Sub Connectors available on the market according to these specifications.

Together with a large variety of accessories, the D-Sub Connectors can be used in most applications, such as industrial electronics, data- and telecommunication and others more.

female



No. of contacts	Dimension			
	A	B	C	D
009	<u>30.81</u> 1.213	<u>24.99</u> .984	<u>16.33</u> .643	<u>19.28</u> .795
015	<u>39.14</u> 1.541	<u>33.32</u> 1.312	<u>24.66</u> .971	<u>27.51</u> 1.083
025	<u>53.04</u> 2.088	<u>47.04</u> 1.852	<u>38.38</u> 1.511	<u>41.30</u> 1.652
037	<u>69.32</u> 2.729	<u>63.50</u> 2.500	<u>54.84</u> 2.159	<u>57.40</u> 2.272



Option:

Ordering Code

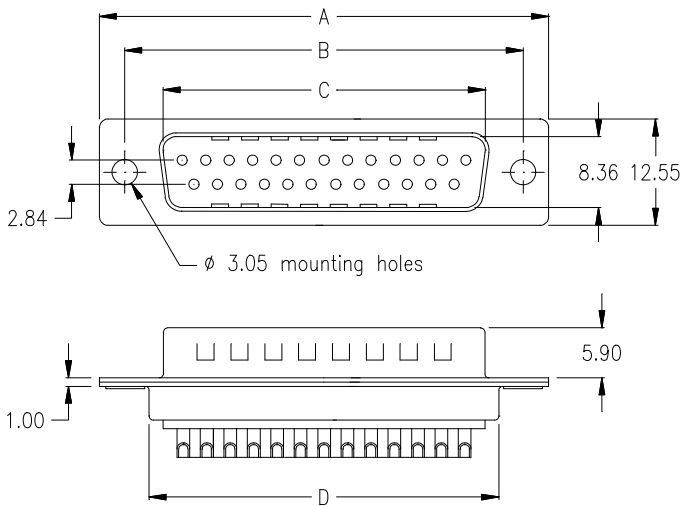
SDF - xxx - S101 - 95 / XX

No. of contacts Option

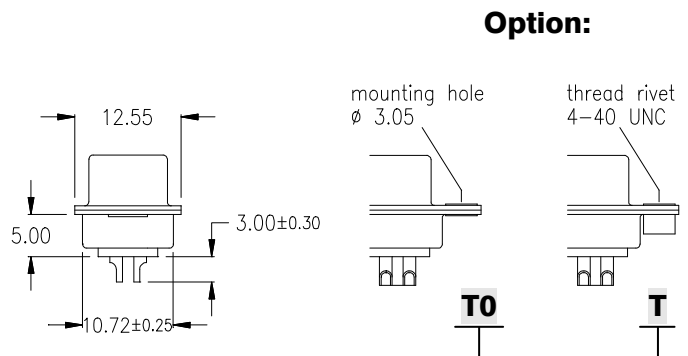
General Specification page 72

Plating: -95 = tin(leadfree)/gold

male



No. of contacts	Dimension			
	A	B	C	D
009	<u>30.81</u> 1.213	<u>24.99</u> .984	<u>16.92</u> .666	<u>19.28</u> .795
015	<u>39.14</u> 1.541	<u>33.32</u> 1.312	<u>25.25</u> .994	<u>27.51</u> 1.083
025	<u>53.04</u> 2.088	<u>47.04</u> 1.852	<u>38.96</u> 1.534	<u>41.30</u> 1.652
037	<u>69.32</u> 2.729	<u>63.50</u> 2.500	<u>55.42</u> 2.182	<u>57.40</u> 2.272



Option:

Ordering Code

SDM - xxx - S101 - 95 / XX

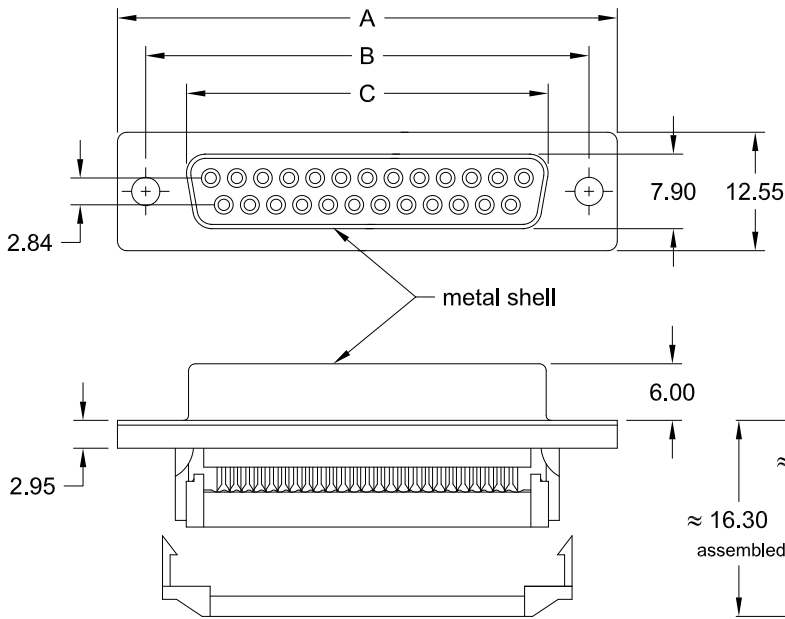
No. of contacts Option

General Specification page 72

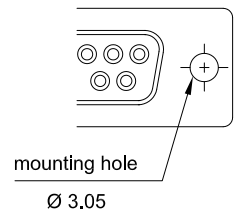
Plating: -95 = tin(leadfree)/gold



female

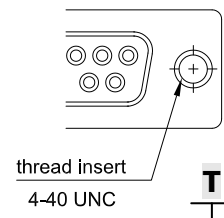


Option:



mounting hole
Ø 3.05

T0



thread insert
4-40 UNC

T

Ordering Code

SKF - xxx - S201 - 95 / XX

No. of contacts

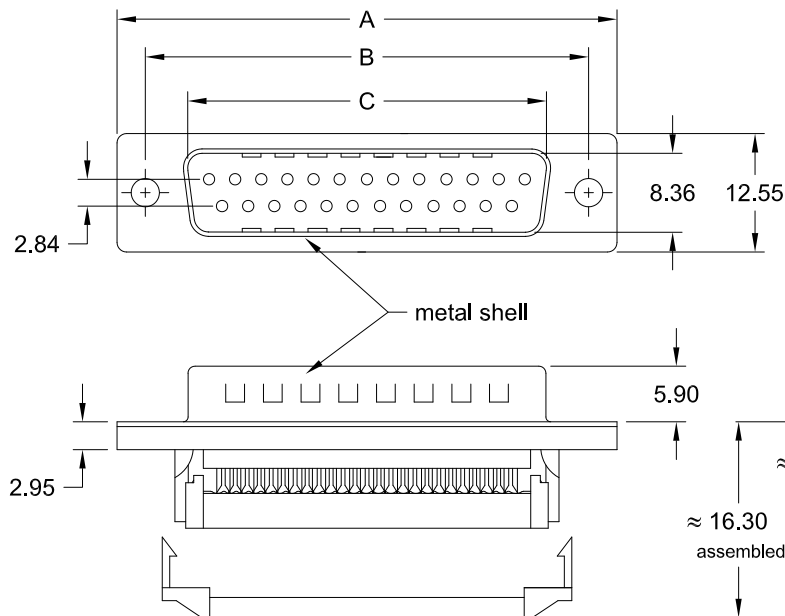
Option

No. of contacts	Dimension		
	A	B	C
009	30.81 1.213	24.99 .984	16.33 .643
015	39.14 1.541	33.32 1.312	24.66 .971
025	53.04 2.088	47.04 1.852	38.38 1.511
037	69.32 2.729	63.50 2.500	54.84 2.159

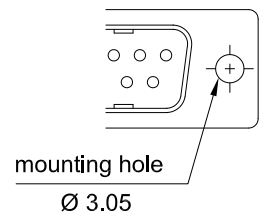
Plating: **-95** = tin(leadfree)/gold

General Specification page 72

male

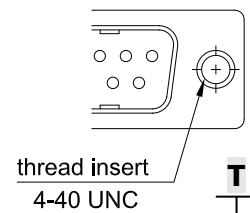


Option:



mounting hole
Ø 3.05

T0



thread insert
4-40 UNC

T

Ordering Code

SKM - xxx - S201 - 95 / XX

No. of contacts

Option

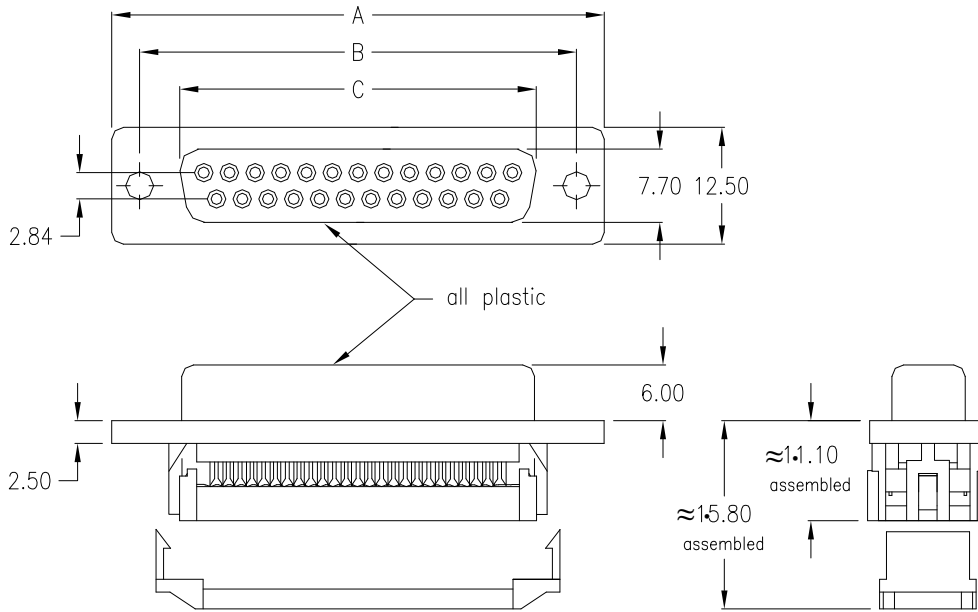
No. of contacts	Dimension		
	A	B	C
009	30.81 1.213	24.99 .984	16.92 .666
015	39.14 1.541	33.32 1.312	25.25 .994
025	53.04 2.088	47.04 1.852	38.96 1.534
037	69.32 2.729	63.50 2.500	55.42 2.182

Plating: **-95** = tin(leadfree)/gold

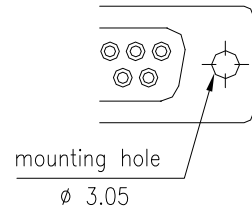
General Specification page 72



female



Option:



T0

No. of contacts	Dimension		
	A	B	C
009	31.16	24.99	16.00
	1.227	.984	.630
015	39.42	33.32	24.27
	1.552	1.312	.955
025	53.34	47.04	38.22
	2.100	1.852	1.505
037	69.68	63.50	54.65
	2.743	2.500	2.152

Plating: **-95** = tin(leadfree)/gold

General Specification page 72

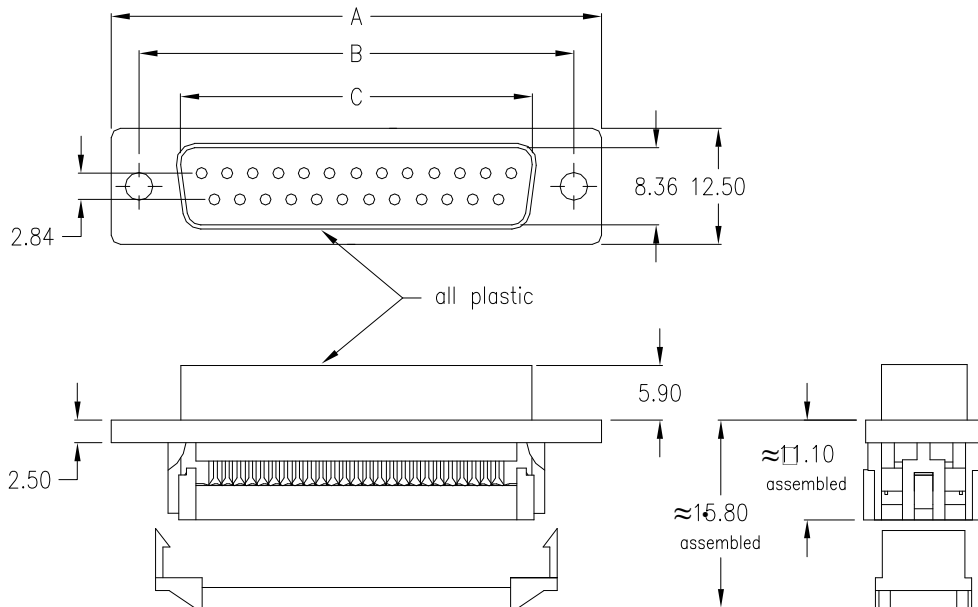
Ordering Code

SKF - xxx - S202 - 95 / XX

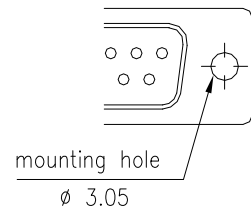
No. of contacts

Option

male



Option:



T0

No. of contacts	Dimension		
	A	B	C
009	30.81	24.99	16.92
	1.213	.984	.666
015	39.14	33.32	25.25
	1.541	1.312	.994
025	53.04	47.04	38.96
	2.088	1.852	1.534
037	69.32	63.50	55.42
	2.729	2.500	2.182

Plating: **-95** = tin(leadfree)/gold

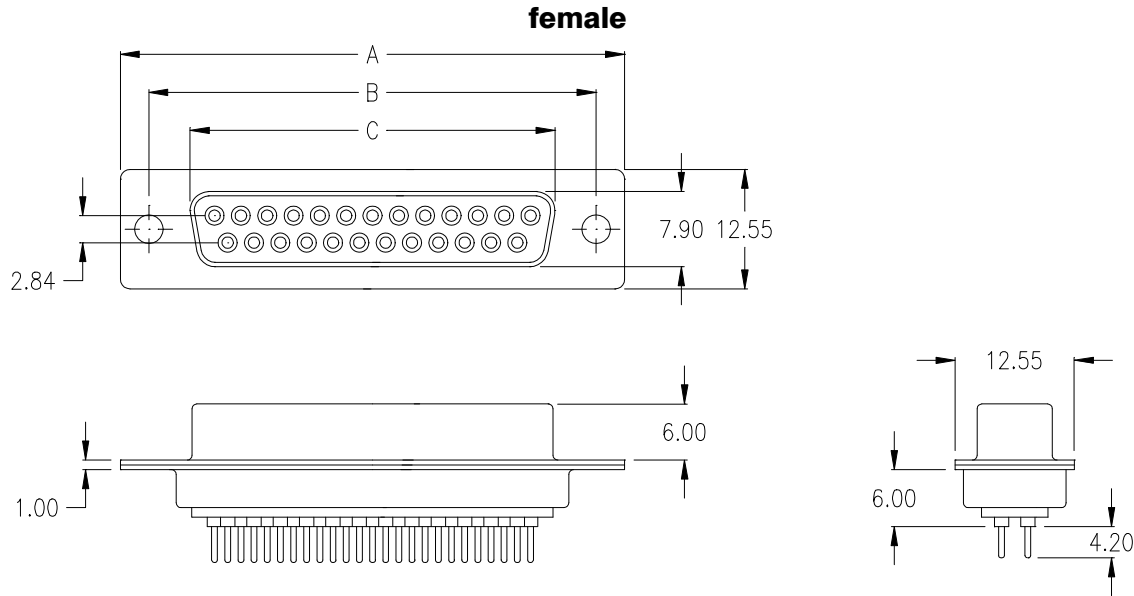
General Specification page 72

Ordering Code

SKM - xxx - S202 - 95 / XX

No. of contacts

Option



Ordering Code

SDF - xxx - S111 - 95 / XXX

No. of contacts

Option

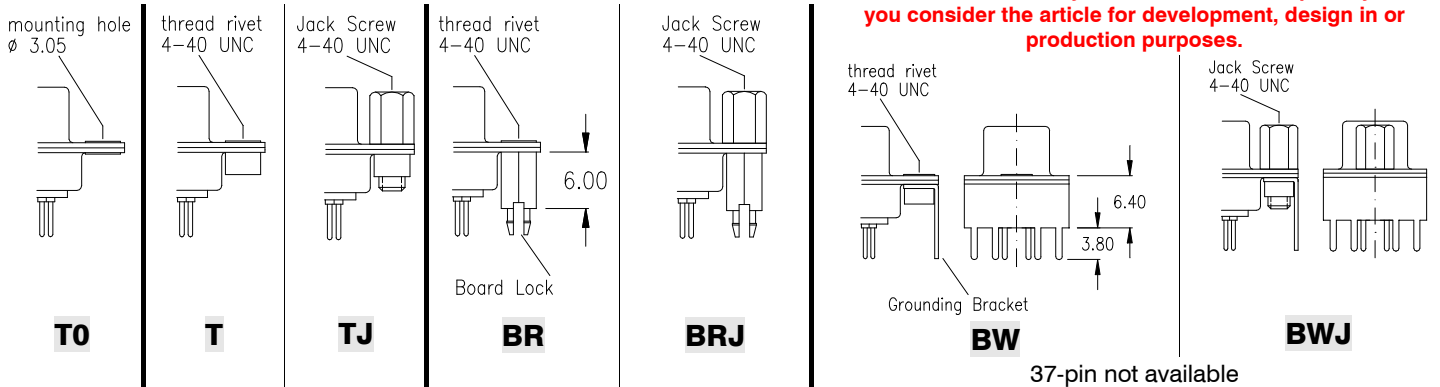
Plating: -95 = tin(leadfree)/gold

General Specification page 72

No. of contacts	Dimension		
	A	B	C
009	<u>30.81</u> 1.213	<u>24.99</u> .984	<u>16.33</u> .643
015	<u>39.14</u> 1.541	<u>33.32</u> 1.312	<u>24.66</u> .971
025	<u>53.04</u> 2.088	<u>47.04</u> 1.852	<u>38.38</u> 1.511
037	<u>69.32</u> 2.729	<u>63.50</u> 2.500	<u>54.84</u> 2.159

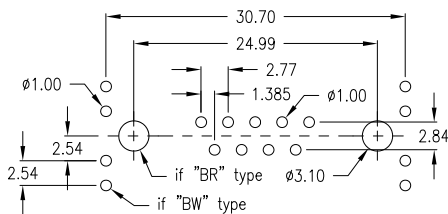
Options

Special product.
Please ask for availability and minimum order quantity before you consider the article for development, design in or production purposes.

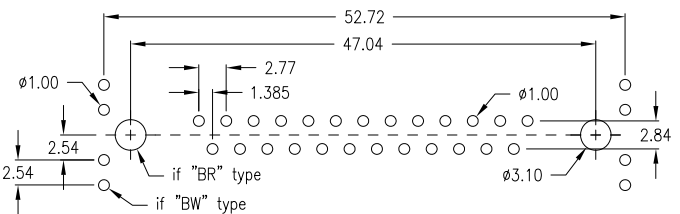


37-pin not available

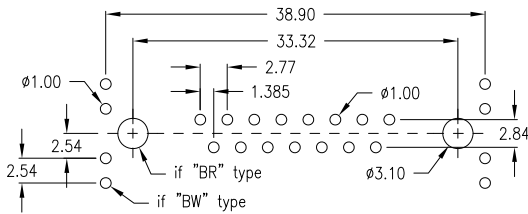
PCB Layout „female“



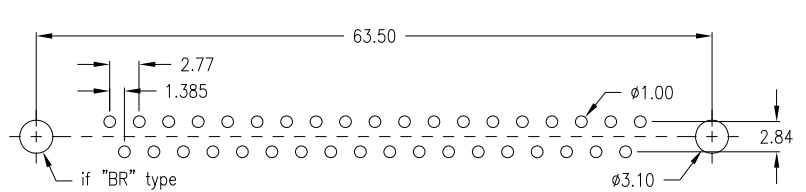
9 pin



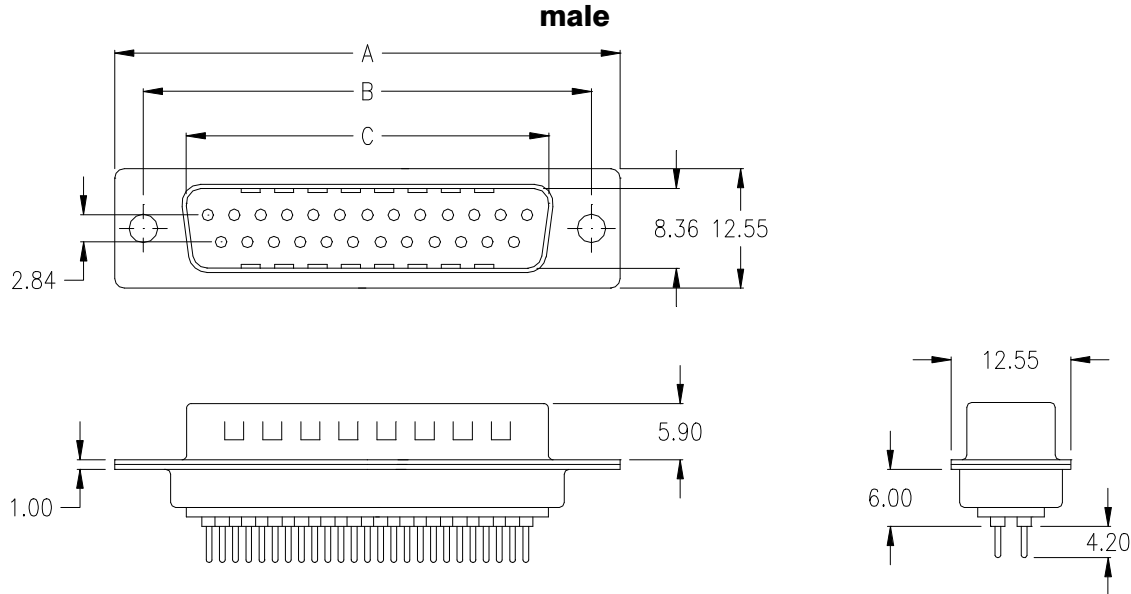
25 pin



15 pin



37 pin



Ordering Code

SDM - xxx - S111 - 95 / XXX

No. of contacts

Option

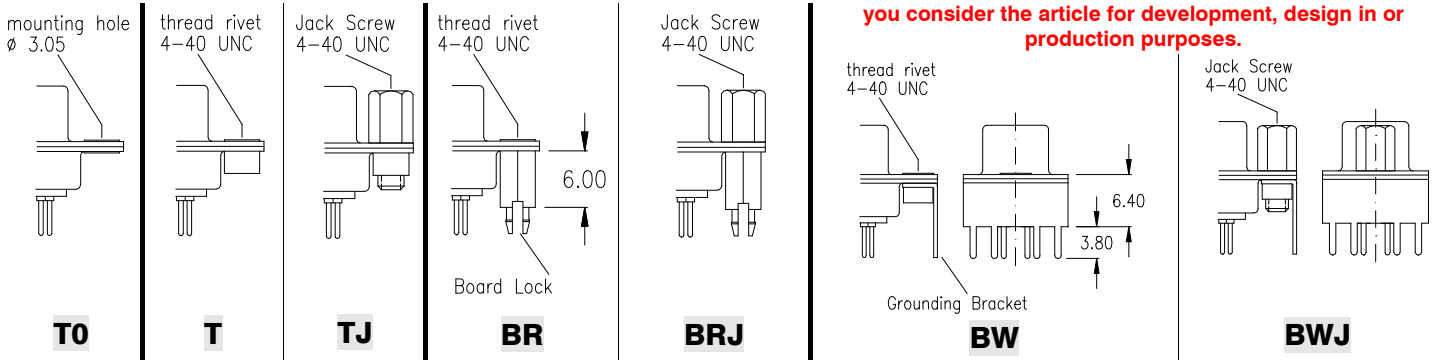
Plating: -95 = tin(leadfree)/gold

General Specification page 72

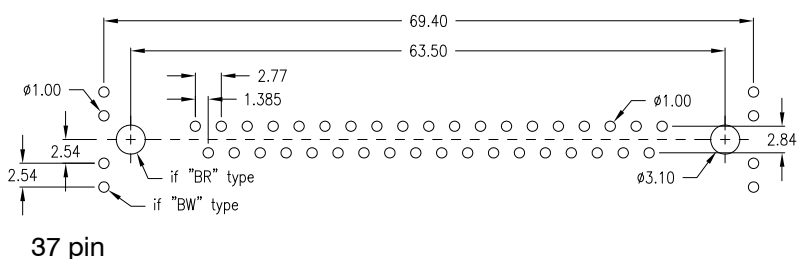
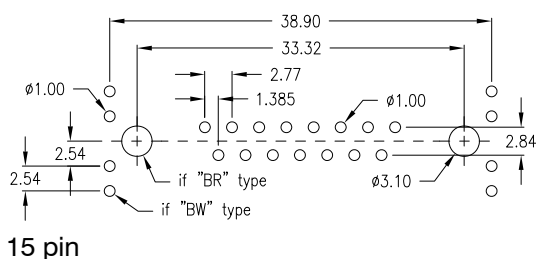
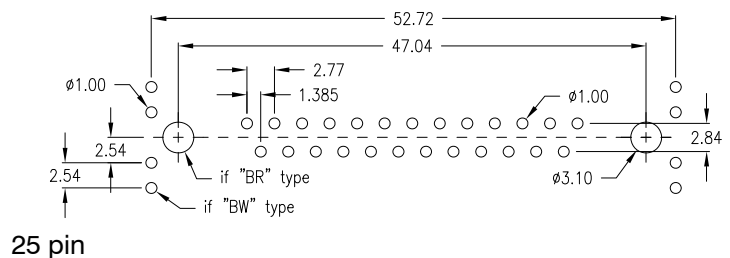
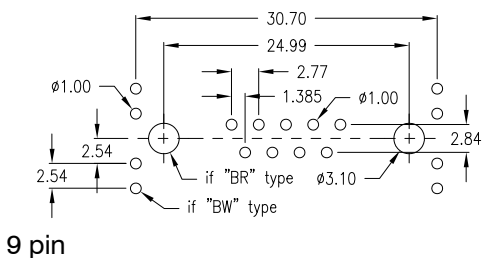
No. of contacts	Dimension		
	A	B	C
009	30.81	24.99	16.92
	1.213	.984	.666
015	39.14	33.32	25.25
	1.541	1.312	.994
025	53.04	47.04	38.96
	2.088	1.852	1.534
037	69.32	63.50	55.42
	2.729	2.500	2.182

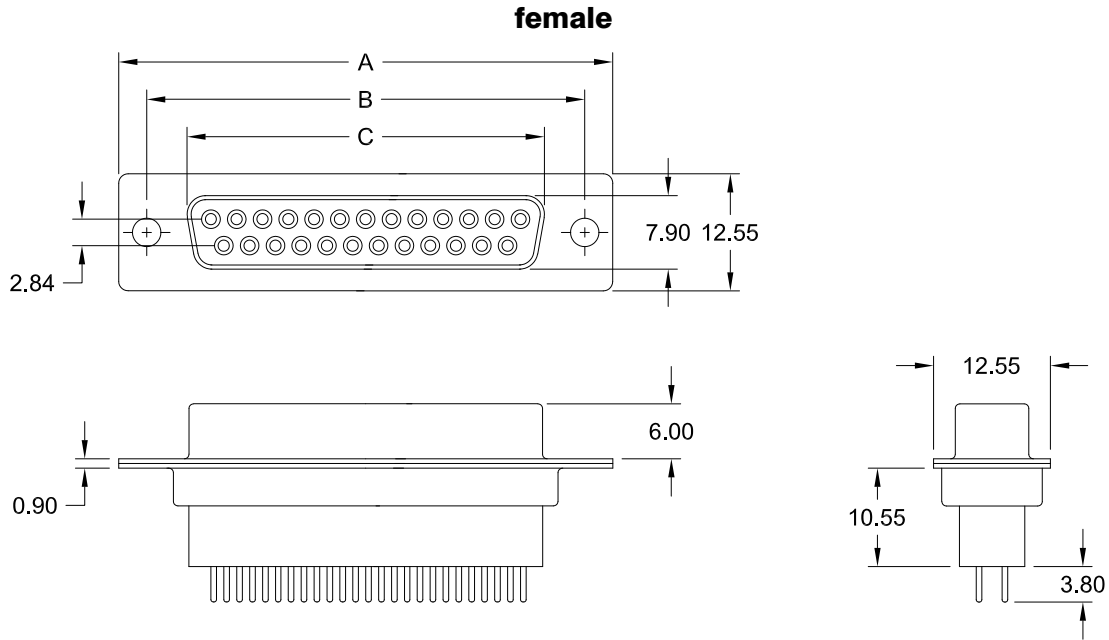
Options

Special product.
Please ask for availability and minimum order quantity before you consider the article for development, design in or production purposes.



PCB Layout „male“





Ordering Code

SDF - xxx - B111 - 95 / XXX

No. of contacts

Option

Plating: -95 = tin(leadfree)/gold

General Specification page 72

No. of contacts	Dimension		
	A	B	C
009	30.81 1.213	24.99 .984	16.33 .643
015	39.14 1.541	33.32 1.312	24.66 .971
025	53.04 2.088	47.04 1.852	38.38 1.511
037	69.32 2.729	63.50 2.500	54.84 2.159

Options

mounting hole
Ø 3.05

thread rivet
4-40 UNC

Jack Screw
4-40 UNC

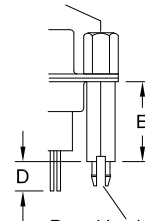
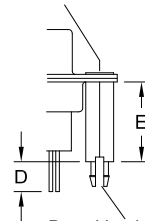
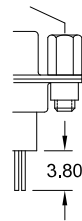
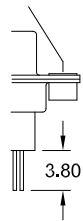
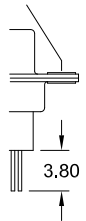
inside thread
4-40 UNC

Jack Screw
4-40 UNC

D ±0.20

E

Option



3,20	12,70
3,50	11,00
3,20	14,50
4,20	13,50

1
2
4
5

T0

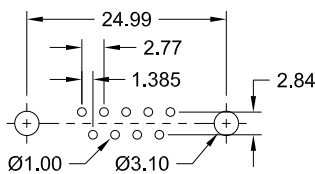
T

TJ

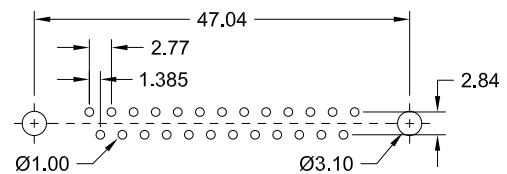
BR

BRJ

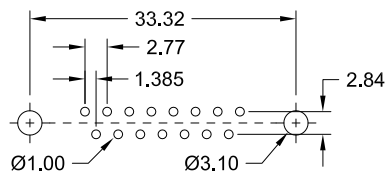
PCB Layout „female“



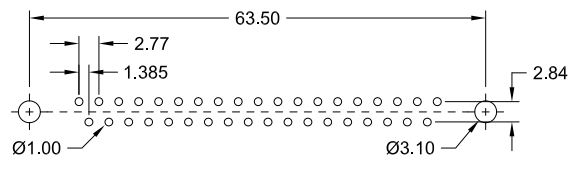
9 pin



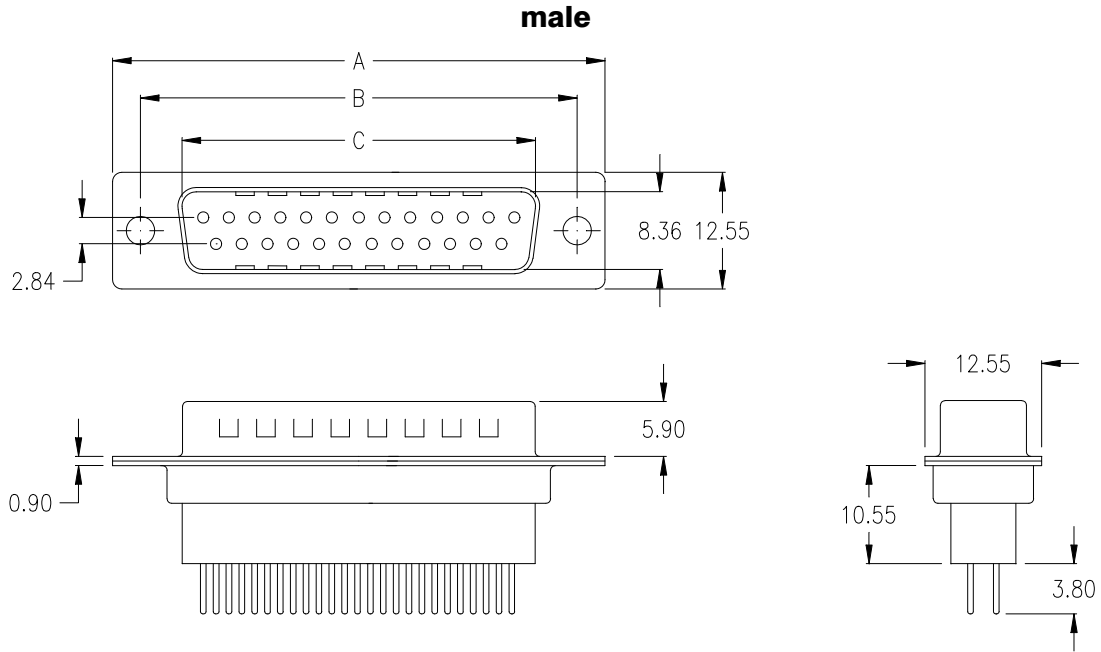
25 pin



15 pin



37 pin



Ordering Code

SDM - xxx - B111 - 95 / XXX

No. of contacts

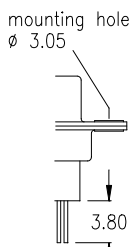
Option

Plating: -95 = tin(leadfree)/gold

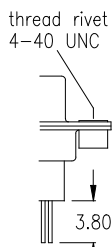
General Specification page 72

No. of contacts	Dimension		
	A	B	C
009	<u>30.81</u> 1.213	<u>24.99</u> .984	<u>16.92</u> .666
015	<u>39.14</u> 1.541	<u>33.32</u> 1.312	<u>25.25</u> .994
025	<u>53.04</u> 2.088	<u>47.04</u> 1.852	<u>38.96</u> 1.534
037	<u>69.32</u> 2.729	<u>63.50</u> 2.500	<u>55.42</u> 2.182

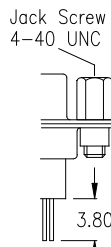
Options



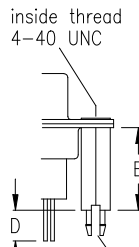
T0



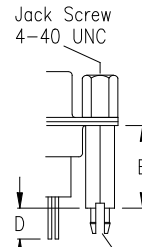
T



TJ



BR

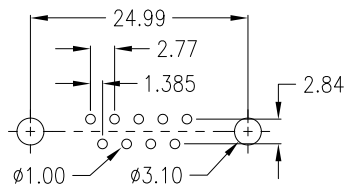


BR_J

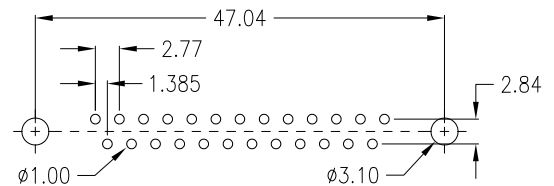
D ±0.20	E	Option
3,20	12,70	1
3,50	11,00	2
3,20	14,50	4
4,20	13,50	5

PCB Layout „male“

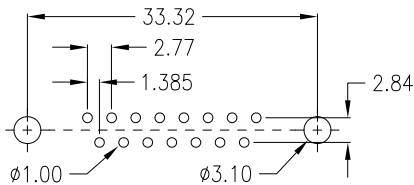
9 pin



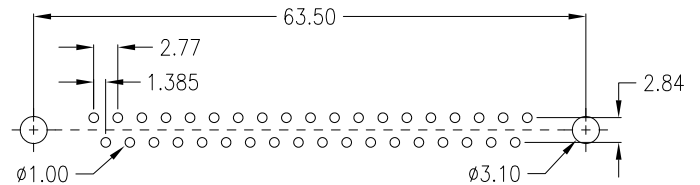
25 pin

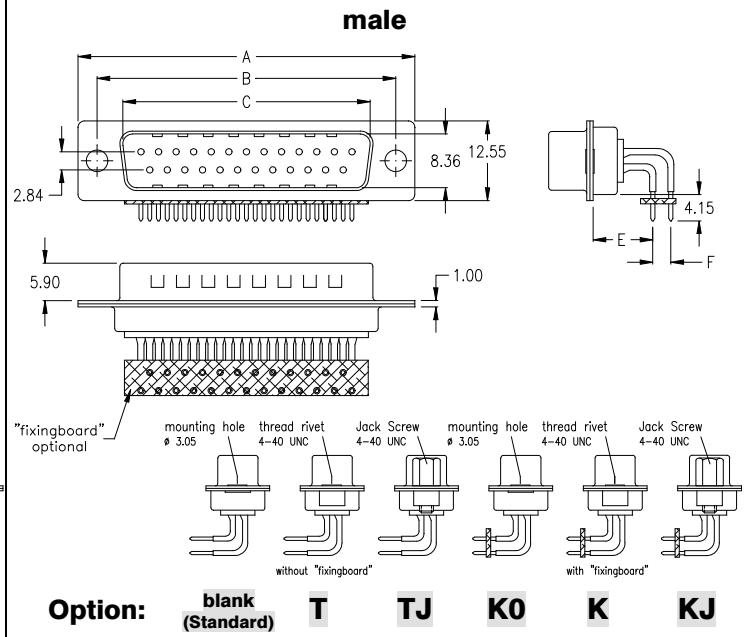
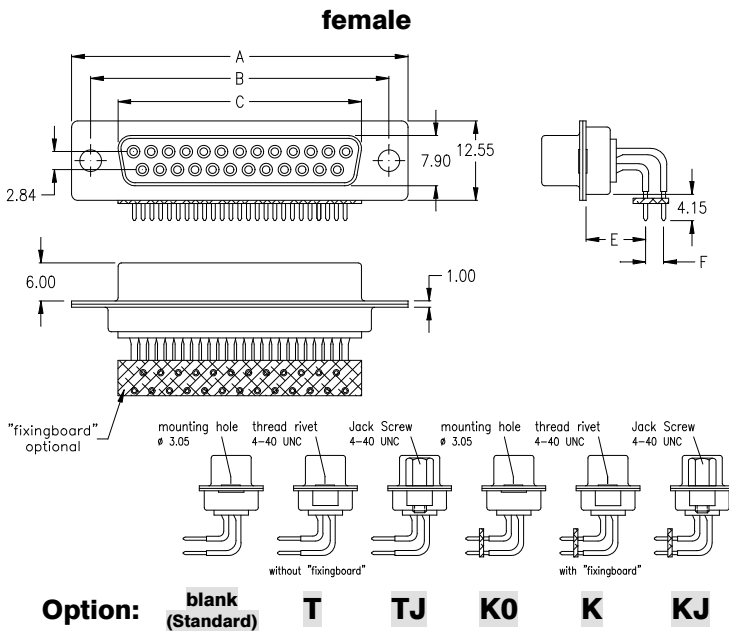


15 pin



37 pin





No. of contacts	Dimension			
	A	B	C	E
009	30.81 1.213	24.99 .984	16.33 .643	7.20 .283
015	39.14 1.541	33.32 1.312	24.66 .971	7.20 .283
025	53.04 2.088	47.04 1.852	38.38 1.511	9.40 .370
037	69.32 2.729	63.50 2.500	54.84 2.159	9.40 .370

No. of contacts	Dimension			
	A	B	C	E
009	30.81 1.213	24.99 .984	16.92 .666	7.20 .283
015	39.14 1.541	33.32 1.312	25.25 .994	7.20 .283
025	53.04 2.088	47.04 1.852	38.96 1.534	9.40 .370
037	69.32 2.729	63.50 2.500	55.42 2.182	9.40 .370

Ordering Code

Special product.

Please ask for availability and minimum order quantity before you consider the article for development, design in or production purposes.

SDF - xxx - X xxx - 55 / Xx (XX)

No. of contacts

Dimension "E"	precision contact	Option	Dimension "F"
7.20 mm	N901-55	A1	2,54 mm
9.40 mm	T901-55	A2	2,84 mm

Ordering Code

Special product.

Please ask for availability and minimum order quantity before you consider the article for development, design in or production purposes.

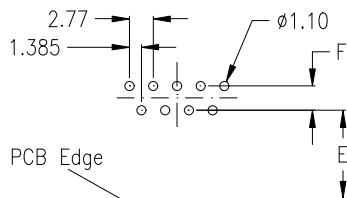
SDM - xxx - X xxx - 55 / Xx (XX)

No. of contacts

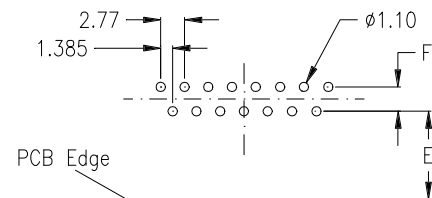
Dimension "E"	precision contact	Option	Dimension "F"
7.20 mm	N901-55	A1	2,54 mm
9.40 mm	T901-55	A2	2,84 mm

-55 = Plating gold all over

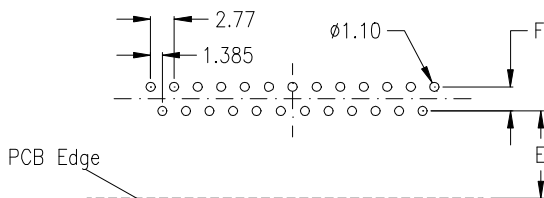
PCB Layout



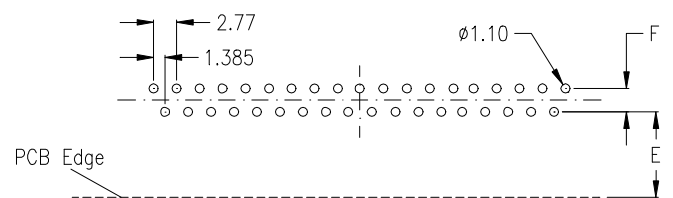
9 pin



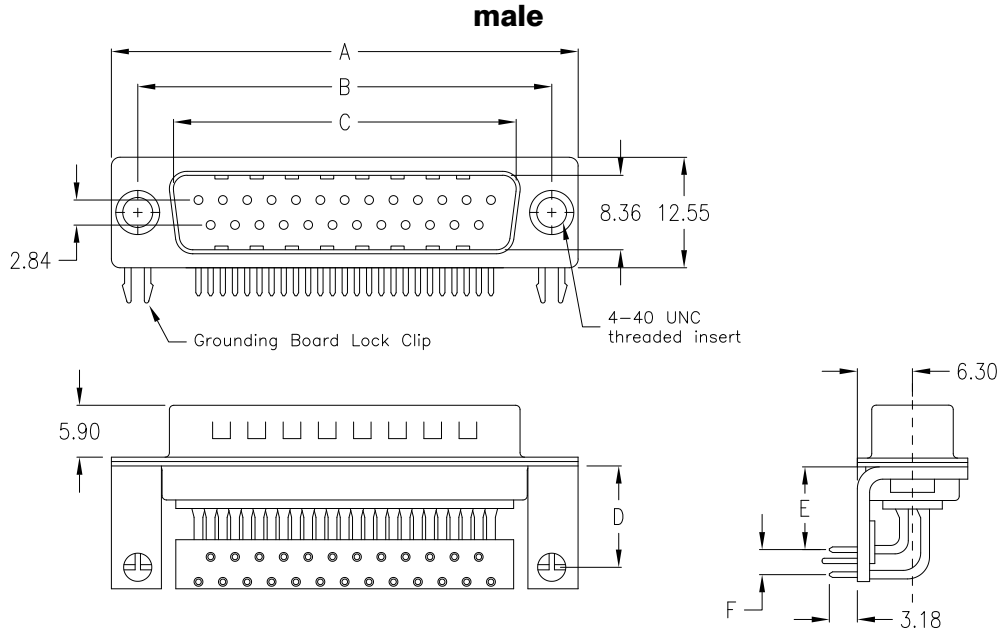
15 pin



25 pin



37 pin



Ordering Code

Special product.

Please ask for availability and minimum order quantity before you consider the article for development, design in or production purposes.

SDM - xxx - N 900 - 95/ XxXX

No. of contacts

Option

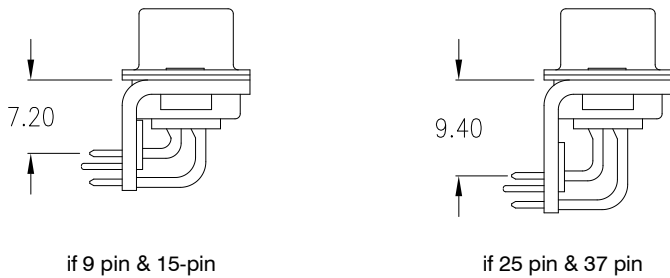
Stamped contact

Plating: -95 = tin(leadfree)/gold

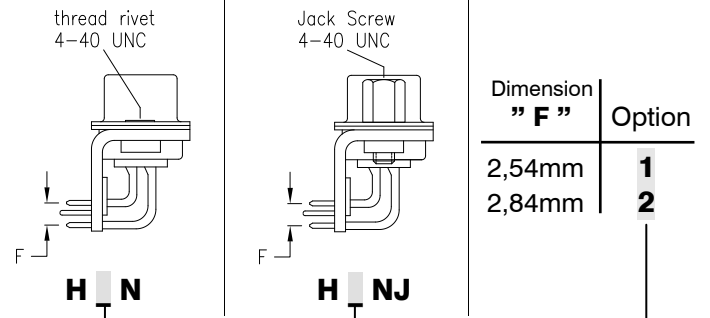
General Specification page 72

No. of contacts	Dimension				
	A	B	C	D if "F"=2,54	D if "F"=2,84
009	30.81 1.213	24.99 .984	16.92 .666	8.47 .333	8.47 .333
015	39.14 1.541	33.32 1.312	25.25 .994	8.47 .333	8.47 .333
025	53.04 2.088	47.04 1.852	38.96 1.534	10.67 .420	10.67 .420
037	69.32 2.729	63.50 2.500	55.42 2.182	10.67 .420	10.67 .420

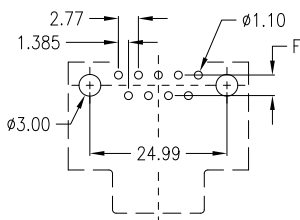
Dimension "E"



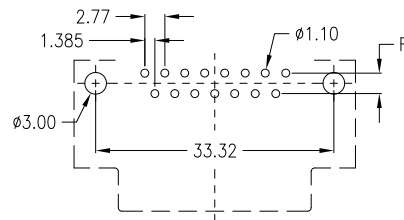
Options



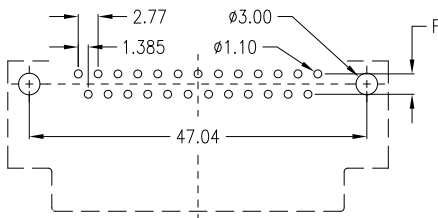
PCB Layout „male“



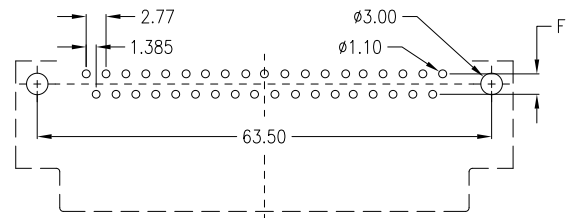
9 pin



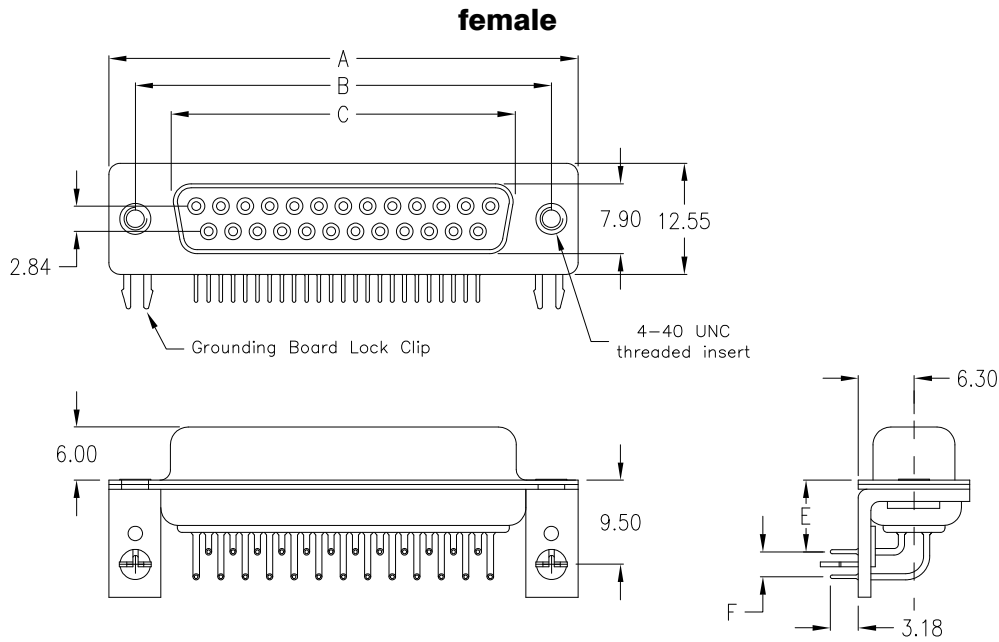
15 pin



25 pin



37 pin



Ordering Code

SDF - xxx - N 901 - 55/ XxXX

No. of contacts

Option

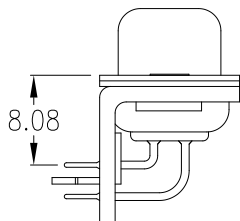
Precision contact

No. of contacts	Dimension		
	A	B	C
009	30.81	24.99	16.33
	1.213	.984	.643
015	39.14	33.32	24.66
	1.541	1.312	.971
025	53.04	47.04	38.38
	2.088	1.852	1.511
037	69.32	63.50	54.84
	2.729	2.500	2.159

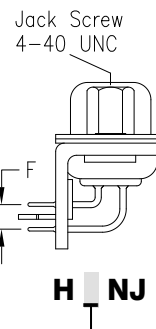
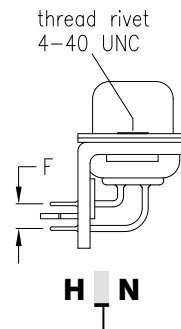
Plating: -55 = Plating gold all over

General Specification page 72

Dimension "E"

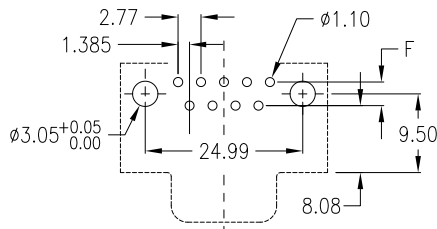


Options

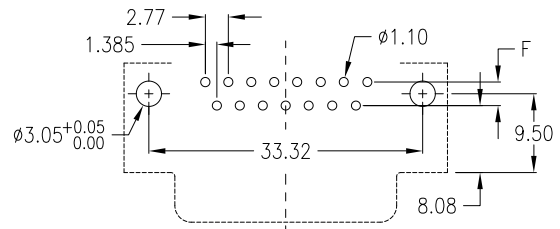


Dimension "F"	Option
2,54mm	1
2,84mm	2

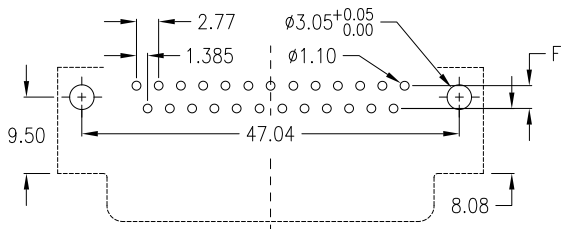
PCB Layout „female“



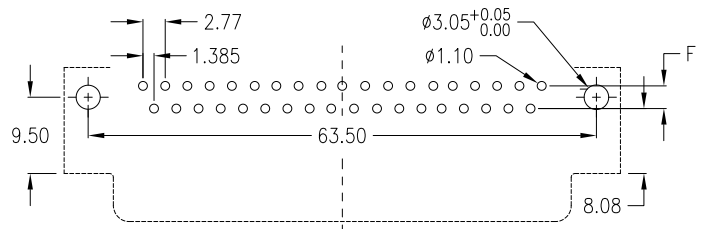
9 pin



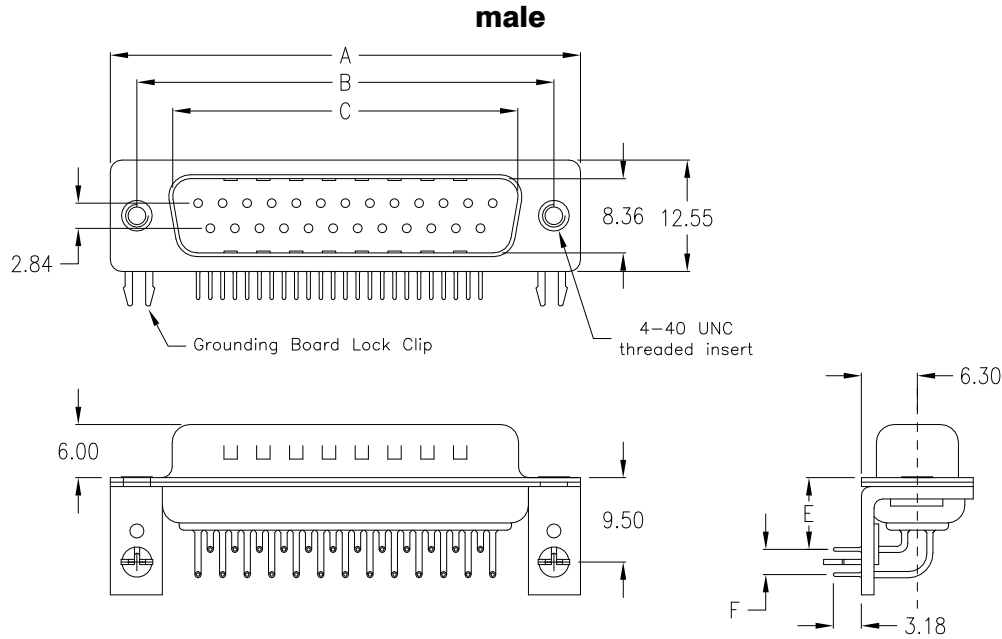
15 pin



25 pin



37 pin



Ordering Code

SDM - xxx - N 901 - 55/ XxXX

No. of contacts

Option

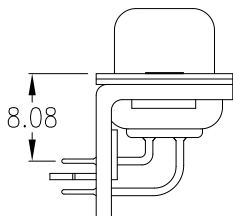
Precision contact

No. of contacts	Dimension		
	A	B	C
009	<u>30.81</u> 1.213	<u>24.99</u> .984	<u>16.92</u> .666
015	<u>39.14</u> 1.541	<u>33.32</u> 1.312	<u>25.25</u> .994
025	<u>53.04</u> 2.088	<u>47.04</u> 1.852	<u>38.96</u> 1.534
037	<u>69.32</u> 2.729	<u>63.50</u> 2.500	<u>55.42</u> 2.182

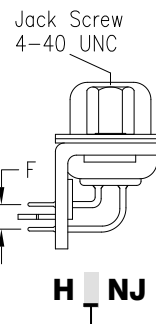
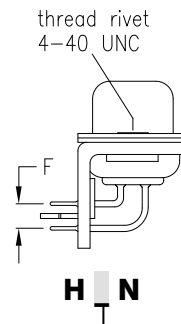
Plating: -55 = Plating gold all over

General Specification page 72

Dimension "E"

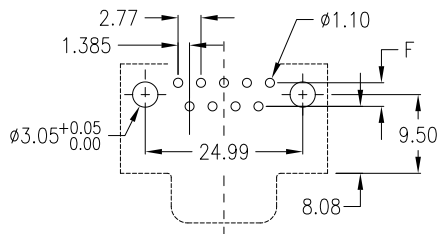


Options

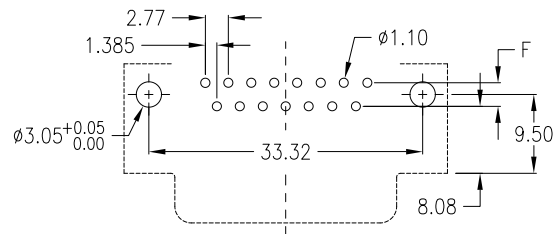


Dimension "F"	Option
2,54mm	1
2,84mm	2

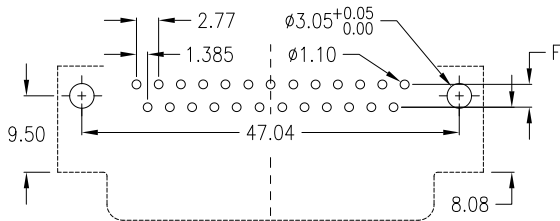
PCB Layout „male“



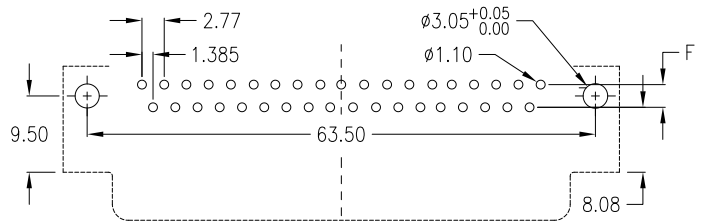
9 pin



15 pin

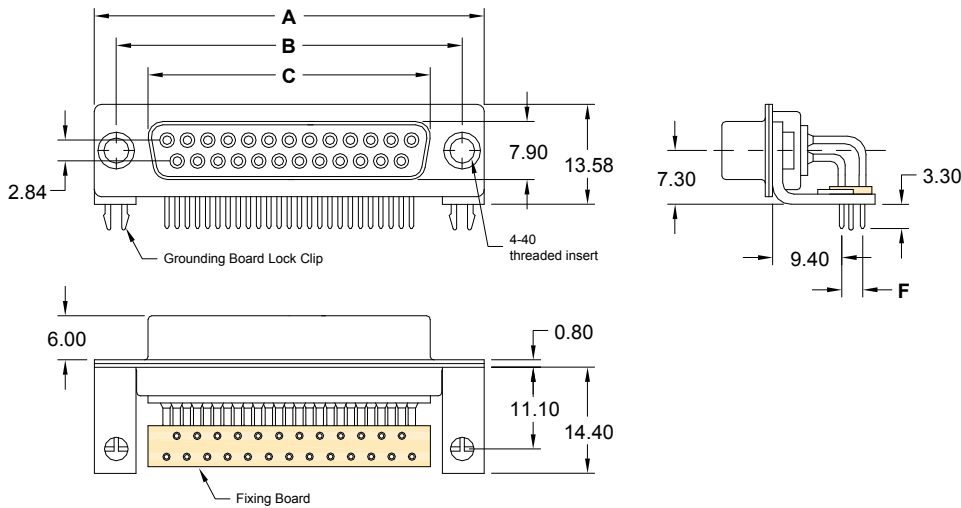


25 pin



37 pin

female



Ordering Code

Special product.

Please ask for availability and minimum order quantity before you consider the article for development, design-in or production purposes.

SDF - xxx - T970 - 55/ XxXX

No. of contacts

Option

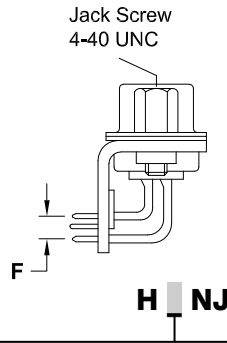
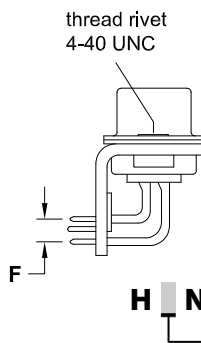
No. of contacts	Dimension		
	A	B	C
009	30.81 1.213	24.99 .984	16.33 .643
015	39.14 1.541	33.32 1.312	24.66 .971
025	53.04 2.088	47.04 1.852	38.38 1.511
037	69.32 2.729	63.50 2.500	54.84 2.159

Plating: -55 = gold/gold

(-95 = tin(leadfree)/gold on request)

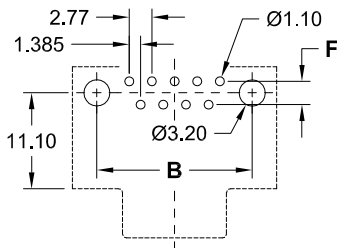
General Specification page 72

Options

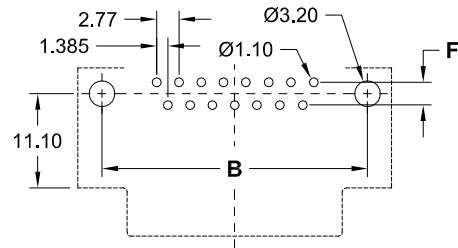


Dimension "F"	Option
2,54mm	1
2,84mm	2

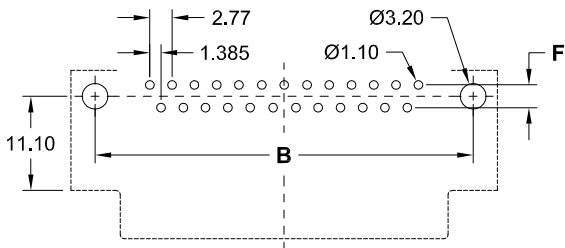
PCB Layout „female“



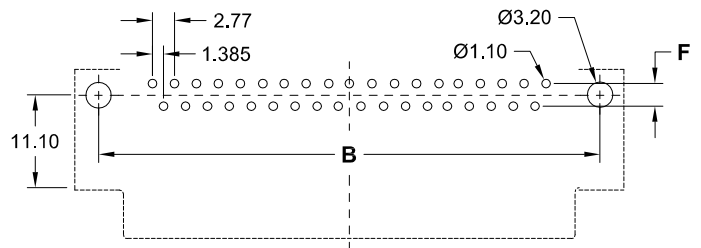
9 pin



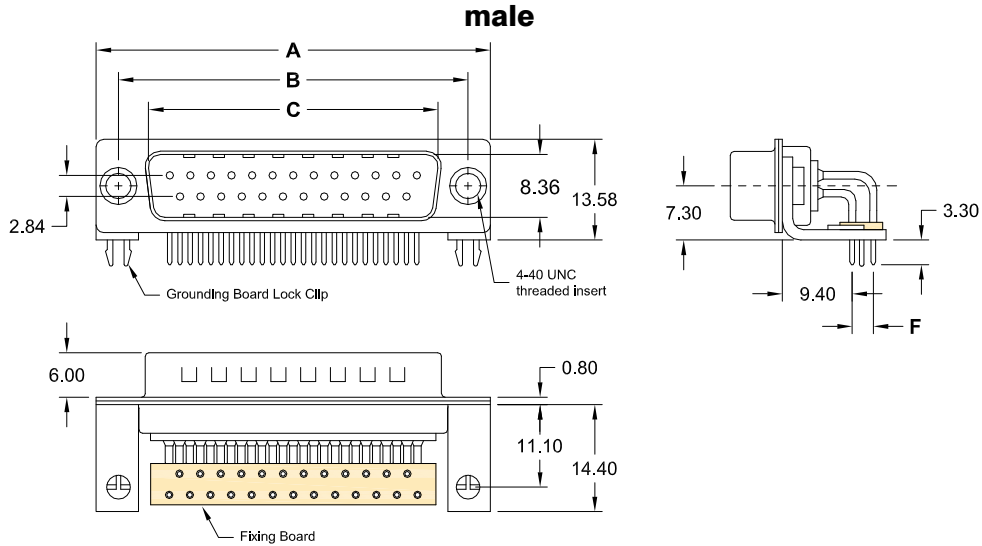
15 pin



25 pin



37 pin



Ordering Code

Special product.

Please ask for availability and minimum order quantity before you consider the article for development, design-in or production purposes.

SDM - xxx - T970 - 55/ XxXX

No. of contacts

Option

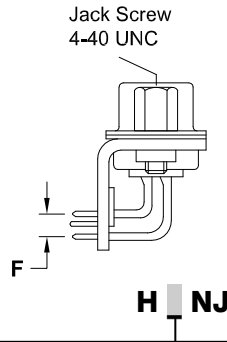
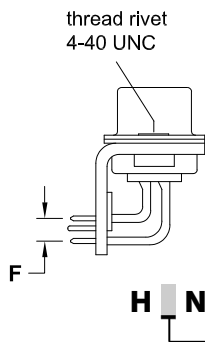
No. of contacts	Dimension		
	A	B	C
009	30.81 1.213	24.99 .984	16.92 .666
015	39.14 1.541	33.32 1.312	25.25 .994
025	53.04 2.088	47.04 1.852	38.96 1.534
037	69.32 2.729	63.50 2.500	55.42 2.182

Plating: -55 = gold/gold

(-95 = tin(leadfree)/gold on request)

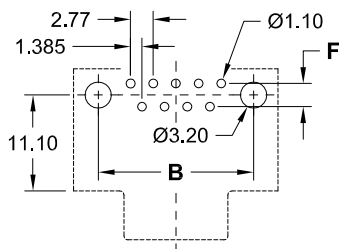
General Specification page 72

Options

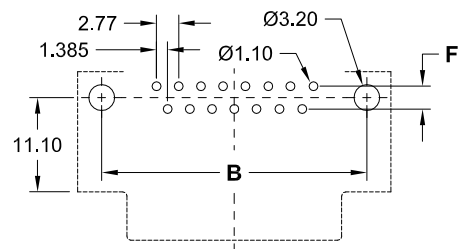


Dimension "F"	Option
2,54mm	1
2,84mm	2

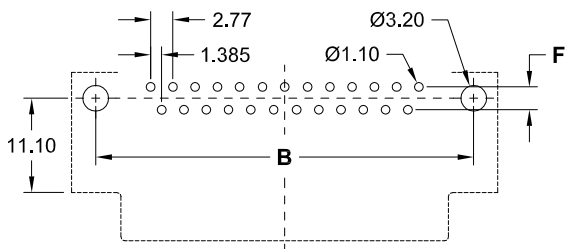
PCB Layout „male“



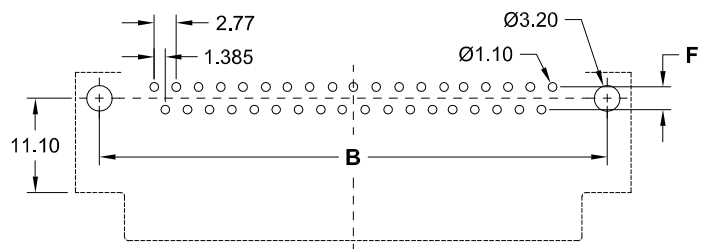
9 pin



15 pin



25 pin



37 pin

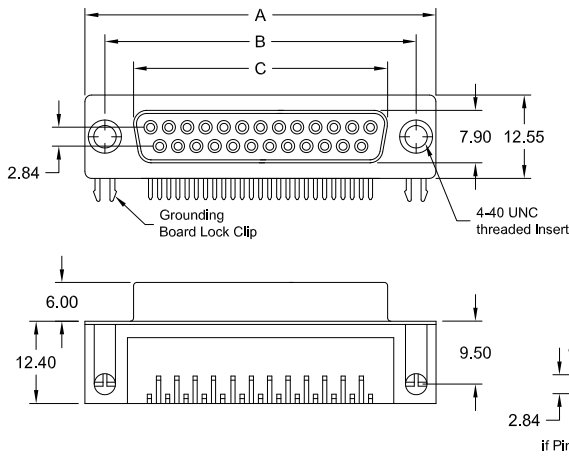
SD Series - D-Sub 90°

"Wave Solder" & "Pin-In-Paste" Technology

N900 8,08mm / .318" „US Style“ Footprint

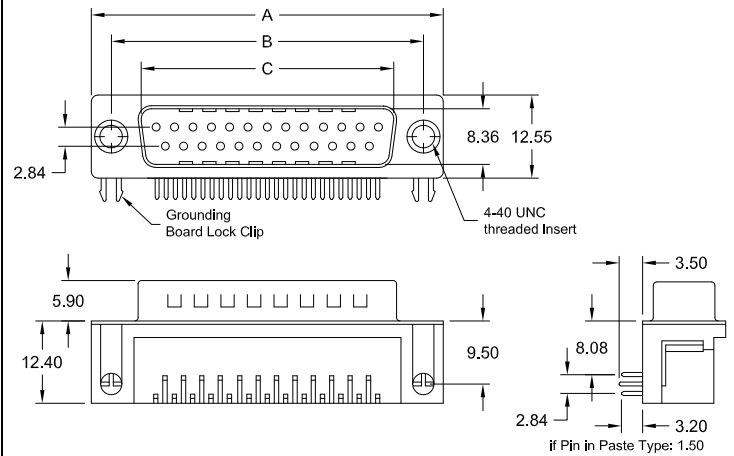


female



PCB hole layout on page 29

male



PCB hole layout on page 29

No. of contacts	Dimension			Ordering Code
	A	B	C	
009	30.81 1.213	24.99 .984	16.33 .643	SDF-009-N900-95/ XX
015	39.20 1.543	33.32 1.311	24.66 .971	SDF-015-N900-95/ XX SDF-015-N900-95/Y XX
	53.05 2.089	47.04 1.852	38.38 1.511	SDF-025-N900-95/ XX SDF-025-N900-95/B XX
037	69.40 2.732	63.50 2.500	54.84 2.159	SDF-037-N900-95/ XX

Plating: **-95** = tin(*leadfree*)/gold
-55 = gold/gold *on request*

Option

No. of contacts	Dimension			Ordering Code
	A	B	C	
009	30.81 1.213	24.99 .984	16.92 .666	SDM-009-N900-95/ XX SDM-009-N900-95/T XX
	39.20 1.543	33.32 1.311	25.25 .994	SDM-015-N900-95/ XX
025	53.05 2.089	47.04 1.852	38.96 1.534	SDM-025-N900-95/ XX
037	69.40 2.732	63.50 2.500	55.42 2.182	SDM-037-N900-95/ XX

Plating: **-95** = tin(*leadfree*)/gold
-55 = gold/gold *on request*

Option

SDF - xxx- N900 - 95/Y XX = PC99 type yellowish brown
SDF - xxx- N900 - 95/B XX = PC99 type burgundy

Other colour available on request

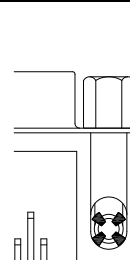
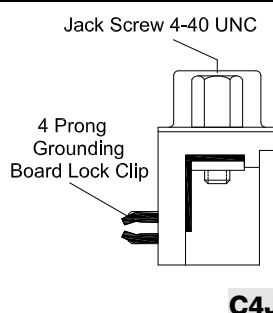
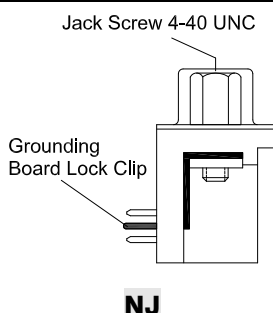
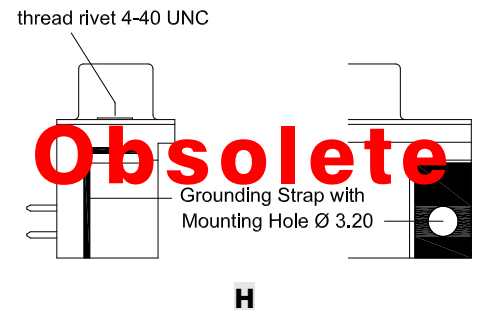
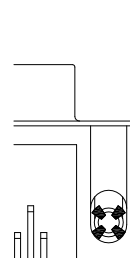
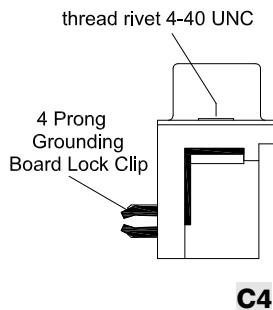
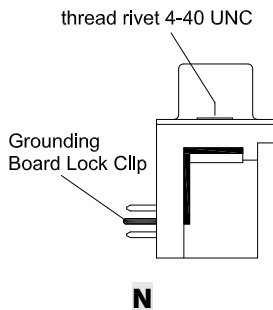
SDM - xxx- N900 - 95/T XX = PC99 type teal

Other colour available on request

"Pin-In-Paste" Technology - for availability pls. contact info@e-tec-asia.com

General Specification page 72

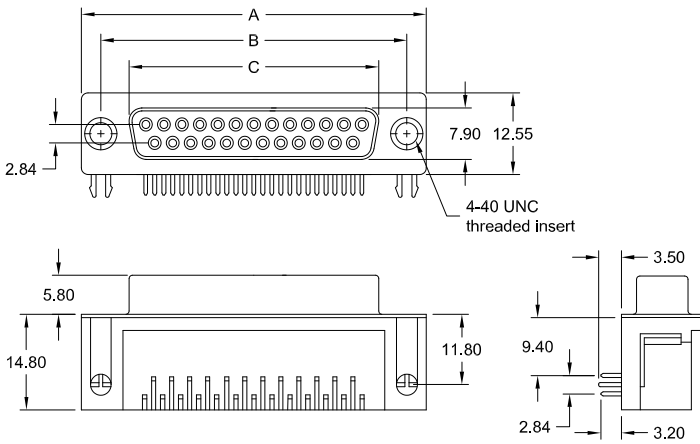
Options



SD Series - D-Sub 90°
9,40mm / .370" „Euro Style“ Footprint



female



PCB hole layout on page 29

No. of contacts	Dimension		
	A	B	C
009	30.81	24.99	16.33
	1.213	.984	.643
015	39.14	33.32	24.66
	1.541	1.312	.971
025	53.04	47.04	38.38
	2.088	1.852	1.511
037	69.32	63.50	54.84
	2.729	2.500	2.159

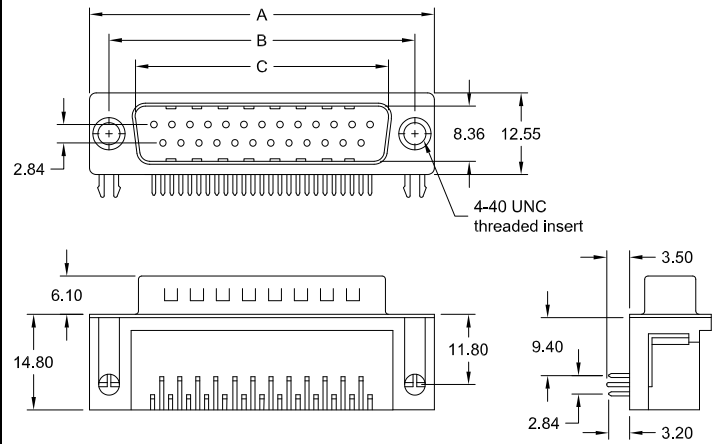
Ordering Code

SDF - xxx - M900 - 55 / XX
 No. of contacts Option

Plating: -55 = gold

General Specification page 72

male



PCB hole layout on page 29

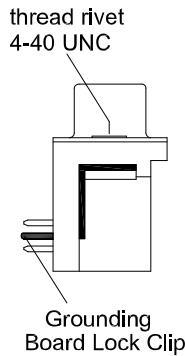
No. of contacts	Dimension		
	A	B	C
009	30.81	24.99	16.92
	1.213	.984	.666
015	39.14	33.32	25.25
	1.541	1.312	.994
025	53.04	47.04	38.96
	2.088	1.852	1.534
037	69.32	63.50	55.42
	2.729	2.500	2.182

Ordering Code

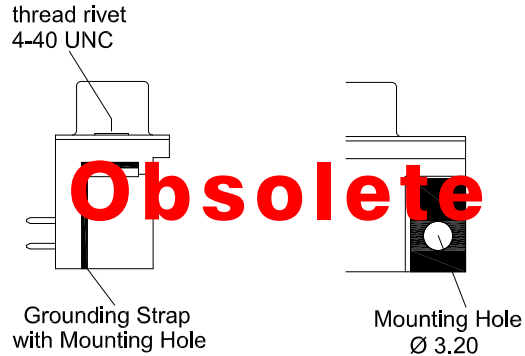
SDM - xxx - M900 - 55 / XX
 No. of contacts Option

Plating: -55 = gold

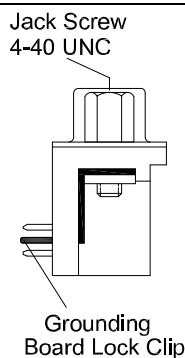
Options



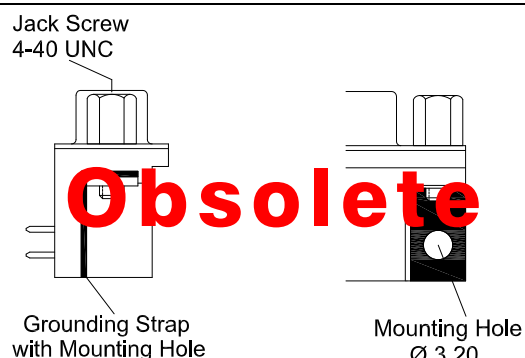
N



H



NJ

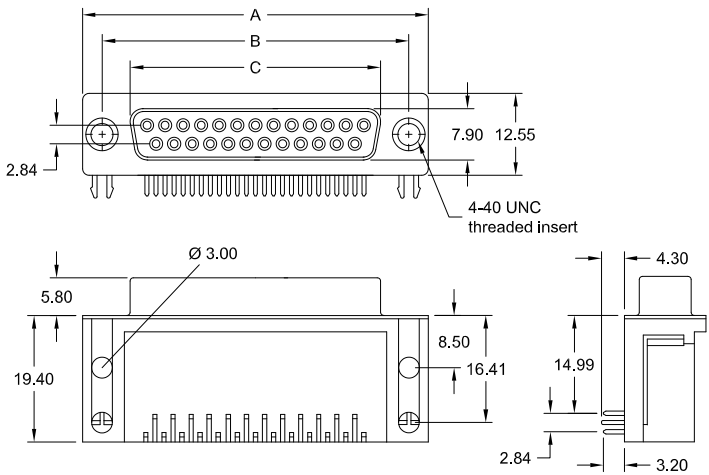


HJ

SD Series - D-Sub 90°
15,00mm / .590" „Long Style“ Footprint



female



PCB hole layout on page 29

No. of contacts	Dimension		
	A	B	C
009	30.81	24.99	16.33
	1.213	.984	.643
015	39.14	33.32	24.66
	1.541	1.312	.971
025	53.04	47.04	38.38
	2.088	1.852	1.511
037	69.32	63.50	54.84
	2.729	2.500	2.159

Ordering Code

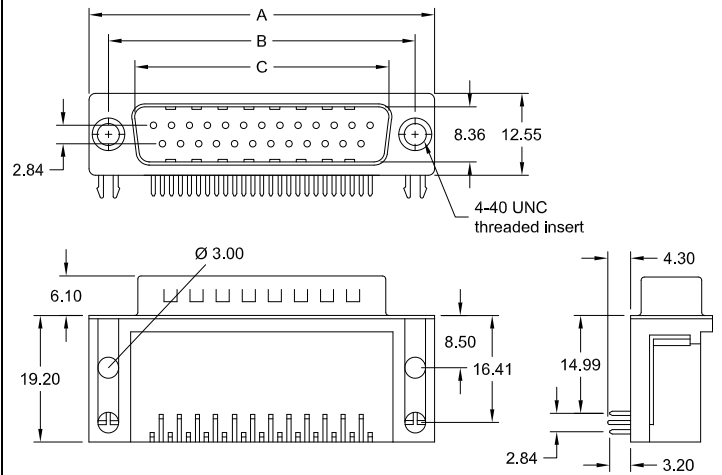
SDF - xxx - L900 - 55 / XX

No. of contacts

Option

Plating: -95 = tin(leadfree)/gold

male



PCB hole layout on page 29

No. of contacts	Dimension		
	A	B	C
009	30.81	24.99	16.92
	1.213	.984	.666
015	39.14	33.32	25.25
	1.541	1.312	.994
025	53.04	47.04	38.96
	2.088	1.852	1.534
037	69.32	63.50	55.42
	2.729	2.500	2.182

Ordering Code

SDM - xxx - L900 - 55 / XX

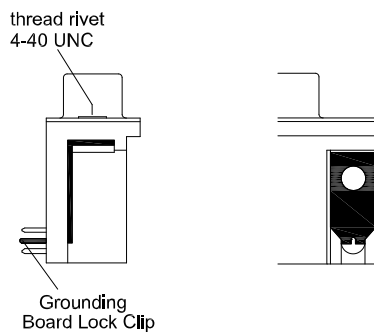
No. of contacts

Option

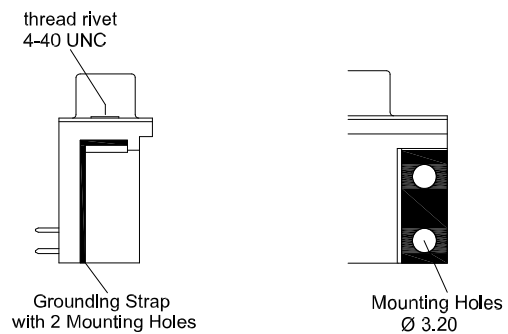
Plating: -95 = tin(leadfree)/gold

General Specification page 72

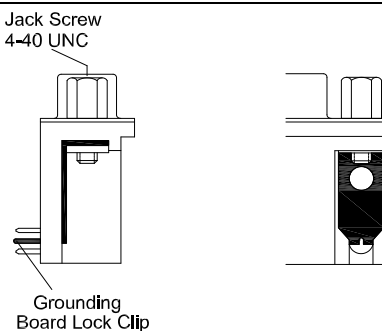
Options



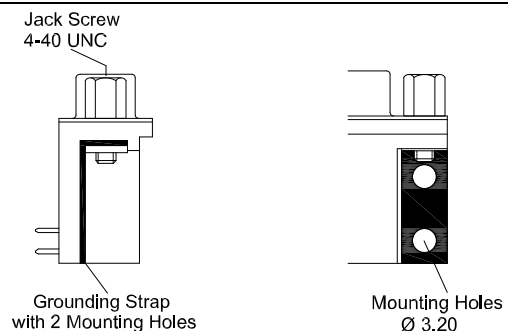
P



L

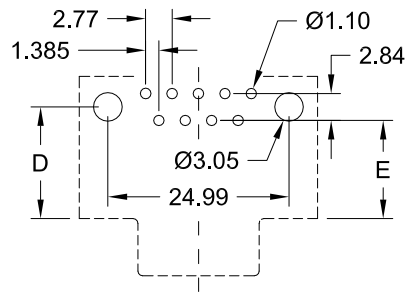


PJ

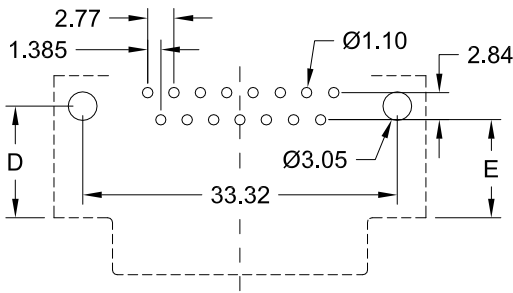


LJ

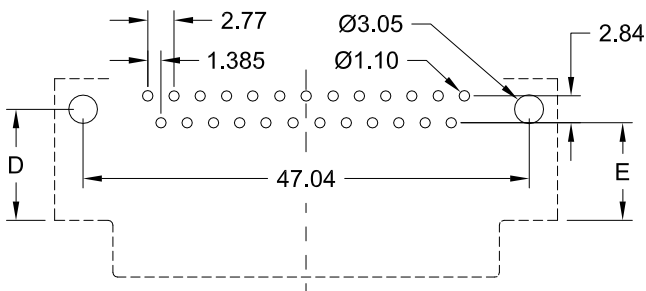
N900 & M900 Type



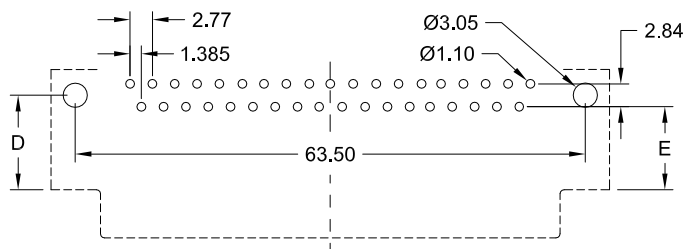
9-pin



15-pin

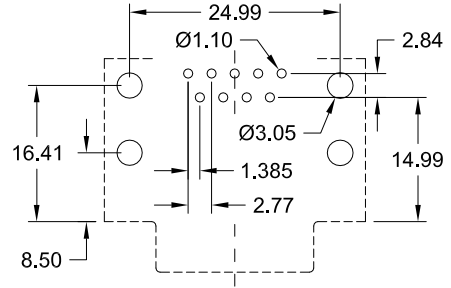


25-pin

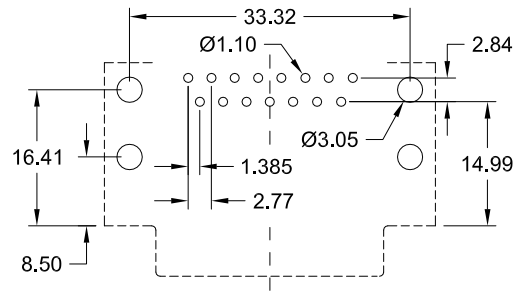


37-pin

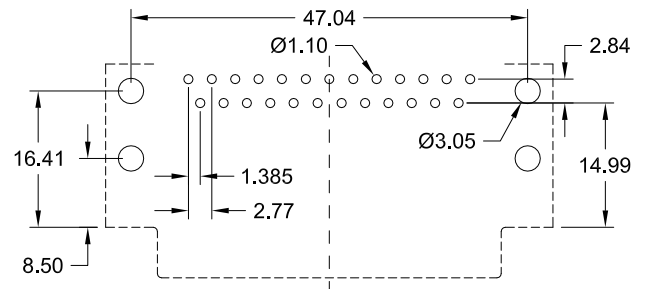
L900 Type



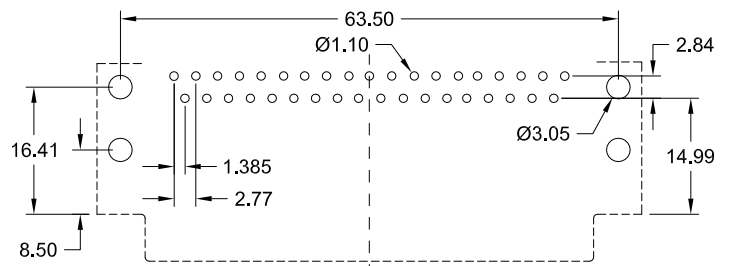
9-pin



15-pin



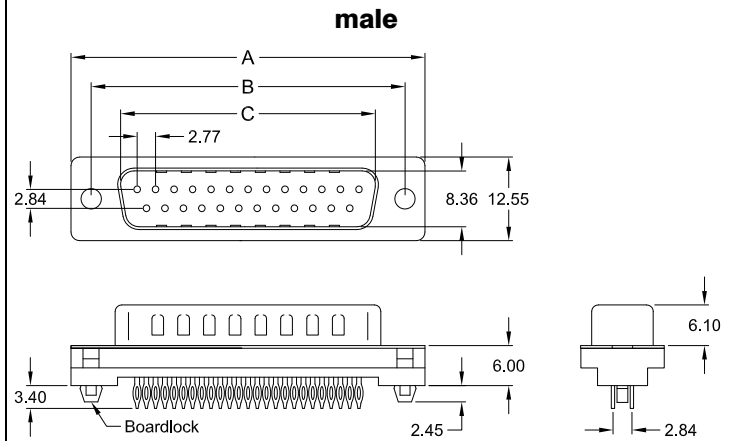
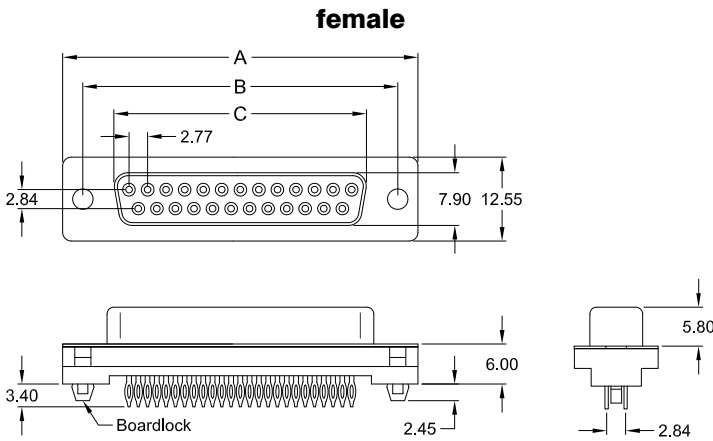
25-pin



37-pin

D-Sub Type	Dim. "D" ±0.25/±.010	Dim. "E" ±0.25/±.010
N 900	<u>9.50</u> .374	<u>8.08</u> .318
M 900	<u>11.70</u> .461	<u>10.30</u> .406

SD Series - D-Sub
P150 "press fit" type



No. of contacts	Dimension		
	A	B	C
009	30.81	24.99	16.33
	1.213	.984	.643
015	39.20	33.30	24.70
	1.543	1.311	.972
025	53.05	47.04	38.40
	2.089	1.852	1.512
037	69.40	63.50	54.80
	2.729	2.500	2.157

No. of contacts	Dimension		
	A	B	C
009	30.81	24.99	16.92
	1.213	.984	.666
015	39.20	33.30	25.25
	1.543	1.311	.994
025	53.05	47.04	38.96
	2.089	1.852	1.534
037	69.40	63.50	55.42
	2.729	2.500	2.182

Ordering Code

SDF - xxx - P 150 - 95 / P

No. of contacts

if with Jack Screw assembled to the connector: **PJ**

Ordering Code

SDM - xxx - P 150 - 95 / P

No. of contacts

if with Jack Screw assembled to the connector: **PJ**

(for Jack Screw dimension etc. pls. see page 70)

PCB - Hole Specification

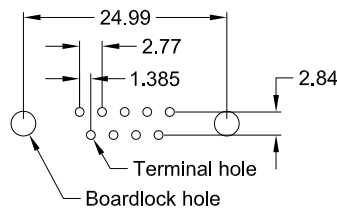
recommended PCB thickness: 1.60mm

terminal hole		boardlock hole	
drilled hole	1.10mm ± 0.02	drilled hole	3.40mm ± 0.02
finished hole	1.00mm ± 0.05	finished hole	3.30mm ± 0.05
Cu	min. 25 μm	Cu	min. 25 μm
Sn	5 - 15 μm	Sn	5 - 15 μm

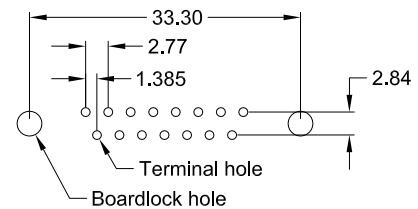
General Specification

Current rating	5 A
Contact resistance	30mΩ max.
Insulation resistance	1.000MΩ min. @ 500V DC
Withstanding voltage	1.000V AC (rms) for 1 Minute
Contact material (RoHS compliant)	PhBz
Contact plating	tin (leadfree) / gold
Insulator (RoHS compliant)	PBT
Operating temperature	-55° C to +105° C

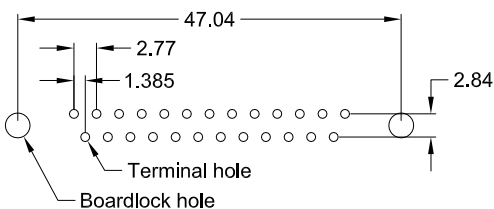
PCB Layout



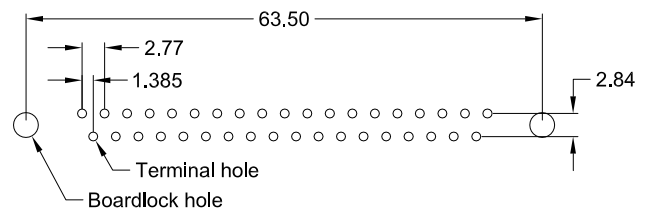
9 pin



15 pin

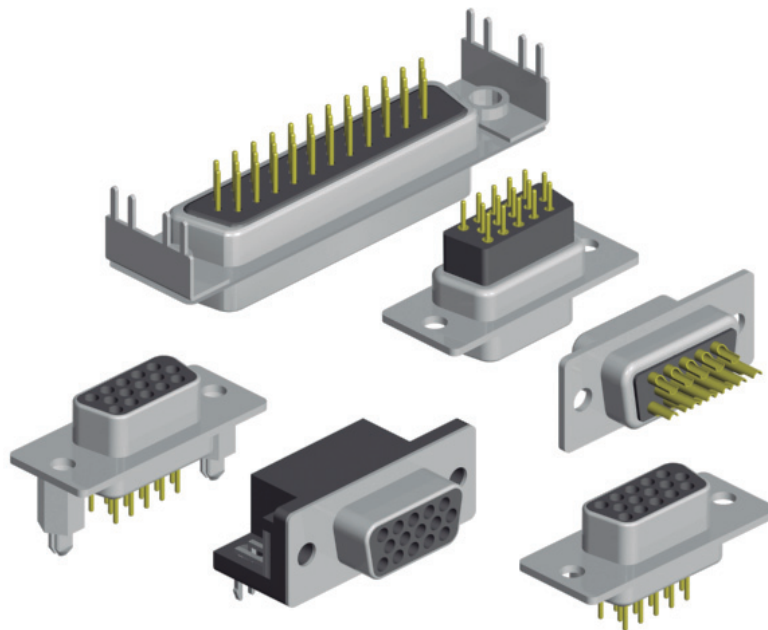


25 pin



37 pin

High Density D-Sub

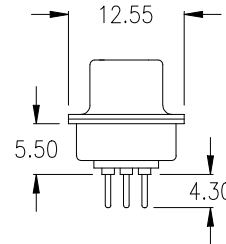
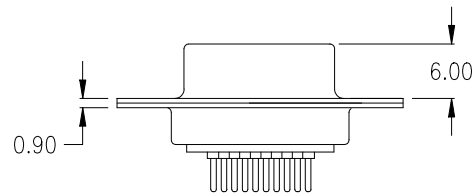
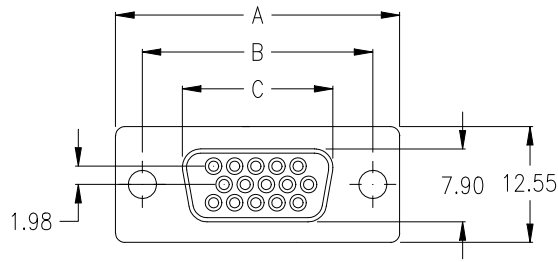


High Density (3 - row) D-Sub family includes hand solder and straight soldertail types.

The right angle types are also available for “Pin-In-Paste” Technology and as “VESA” Type.

A variety of High Density D-Sub Connectors are also available with Ferrite Filter.

female



Ordering Code

SHF - xxx - S111 - 95 / XXX

No. of contacts

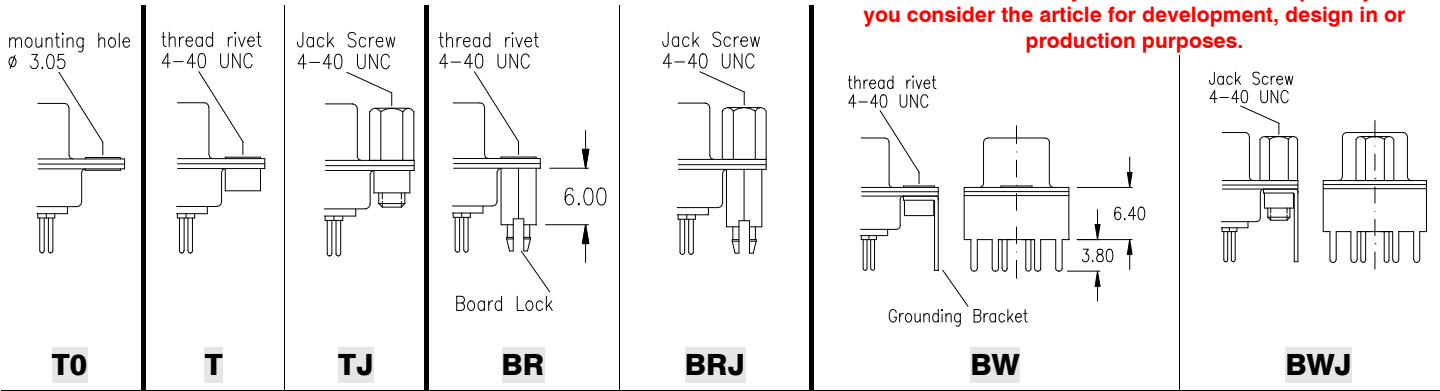
Option

Plating: -95 = tin(leadfree)/gold
General Specification page 72

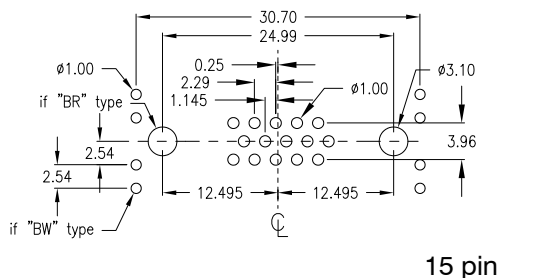
No. of contacts	Dimension		
	A	B	C
015	30.81	24.99	16.33
	1.213	.984	.643
026	39.14	33.32	24.66
	1.541	1.312	.971
044	53.04	47.04	38.38
	2.088	1.852	1.511
062	69.32	63.50	54.84
	2.729	2.500	2.159

Options

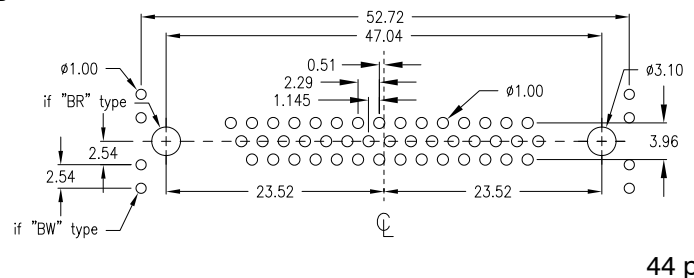
Special product.
Please ask for availability and minimum order quantity before you consider the article for development, design in or production purposes.



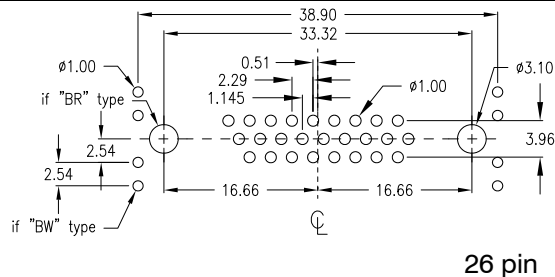
PCB Layout „female“



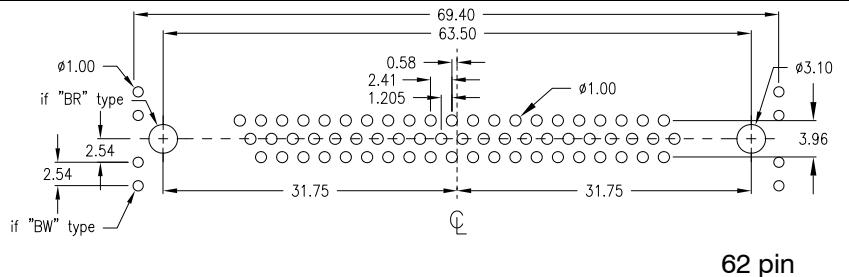
15 pin



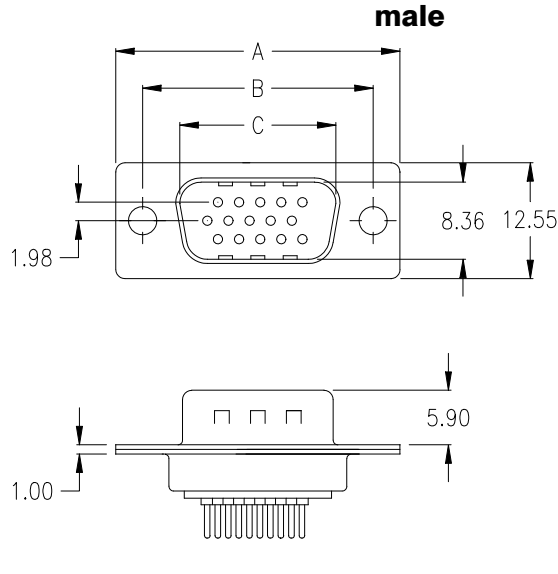
44 pin



26 pin



62 pin



Ordering Code

SHM - xxx - S111 - 95 / XXX

No. of contacts

Option

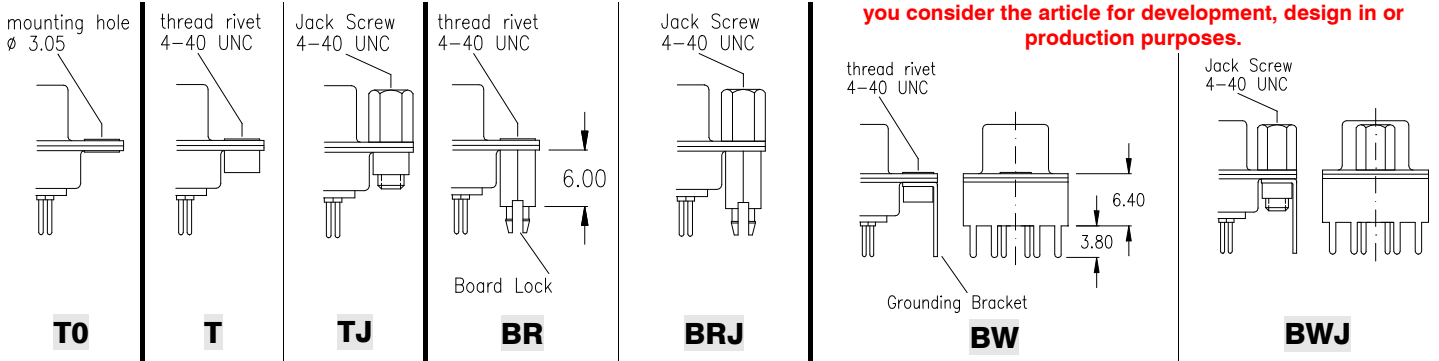
Plating: -95 = tin(leadfree)/gold

General Specification page 72

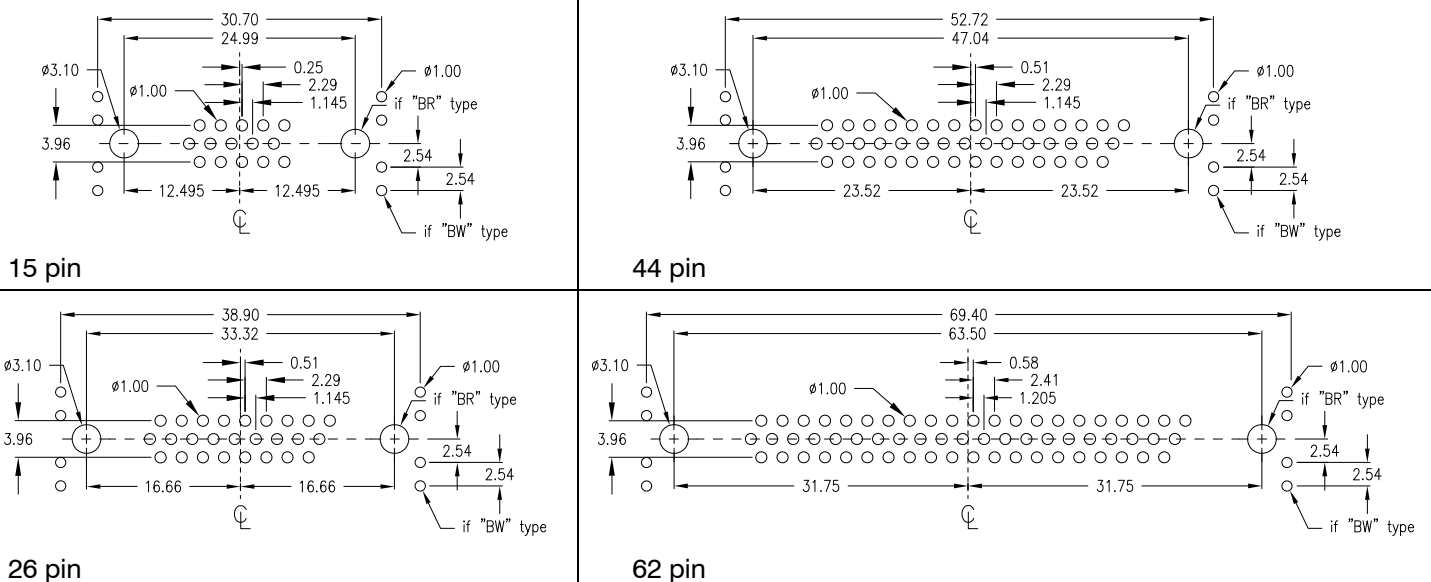
No. of contacts	Dimension		
	A	B	C
015	30.81	24.99	16.92
	1.213	.984	.666
026	39.14	33.32	25.25
	1.541	1.312	.994
044	53.04	47.04	38.96
	2.088	1.852	1.534
062	69.32	63.50	55.42
	2.729	2.500	2.182

Options

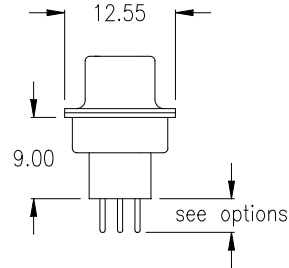
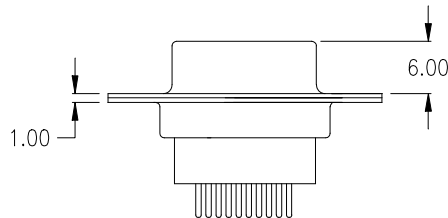
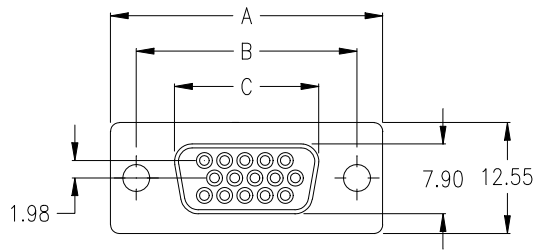
Special product.
Please ask for availability and minimum order quantity before you consider the article for development, design in or production purposes.



PCB Layout „male“



female



Ordering Code

SHF - xxx - B111 - 55 / XXX

No. of contacts

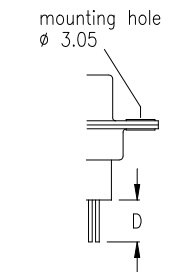
Option

Plating: -55 = gold

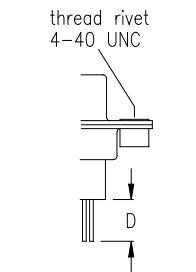
General Specification page 72

No. of contacts	Dimension		
	A	B	C
015	30.81	24.99	16.33
	1.213	.984	.643
026	39.14	33.32	24.66
	1.541	1.312	.971
044	53.04	47.04	38.38
	2.088	1.852	1.511
062	69.32	63.50	54.84
	2.729	2.500	2.159

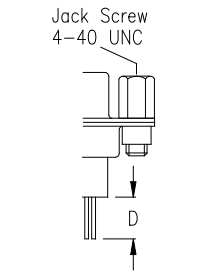
Options



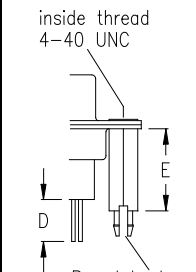
Standard:
T0 if „D“ = 5.30mm
On request:
T02 if „D“ = 3.80mm



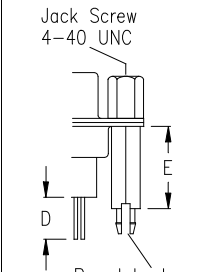
Standard:
T if „D“ = 5.30mm
On request:
T2 if „D“ = 3.80mm



Standard:
TJ if „D“ = 5.30mm
On request:
TJ2 if „D“ = 3.80mm



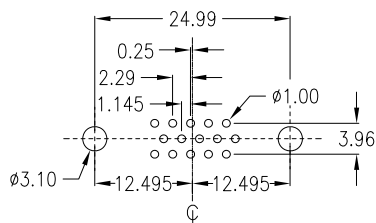
BR



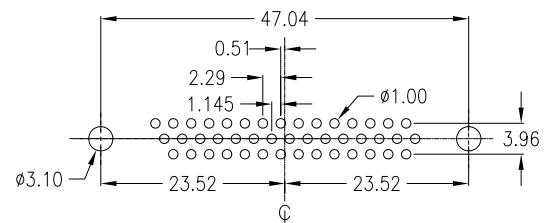
BR J

D	E	Option
3,80	9,60	1
5,30	11,00	2
7,20	12,70	3
7,40	13,50	5

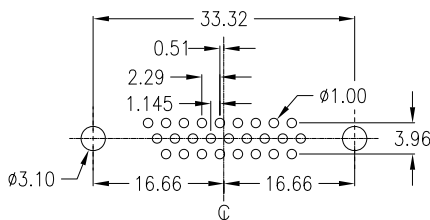
PCB Layout „female“



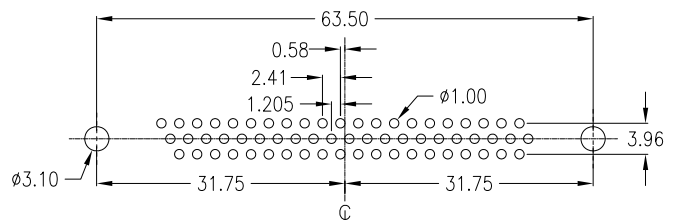
15 pin



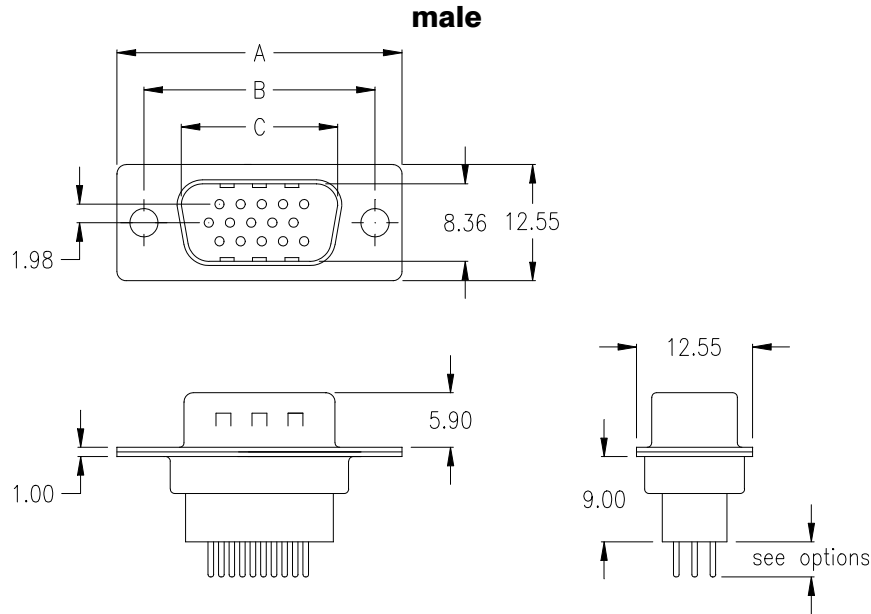
44 pin



26 pin



62 pin



Ordering Code

SHM - xxx - B111 - 55 / XXX

No. of contacts

Option

Plating: **-55** = gold

General Specification page 72

No. of contacts	Dimension		
	A	B	C
015	30.81	24.99	16.92
	1.213	.984	.666
026	39.14	33.32	25.25
	1.541	1.312	.994
044	53.04	47.04	38.96
	2.088	1.852	1.534
062	69.32	63.50	55.42
	2.729	2.500	2.182

Options

	D	E	Option
	3,80	9,60	1
	5,30	11,00	2
	7,20	12,70	3
	7,40	13,50	5

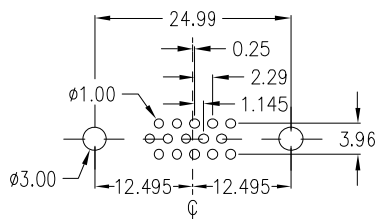
Standard: **T0** if „D“ = 5.30mm
On request: **T02** if „D“ = 3.80mm

Standard: **T** if „D“ = 5.30mm
On request: **T2** if „D“ = 3.80mm

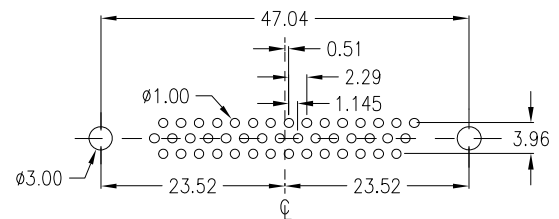
Standard: **TJ** if „D“ = 5.30mm
On request: **TJ2** if „D“ = 3.80mm

BR Board Lock **BR J** Jack Screw Board Lock

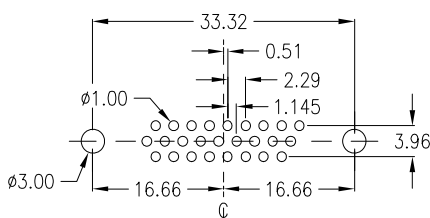
PCB Layout „male“



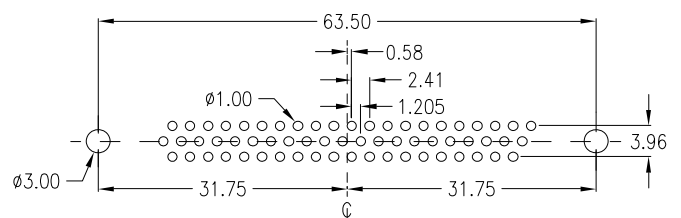
15 pin



44 pin

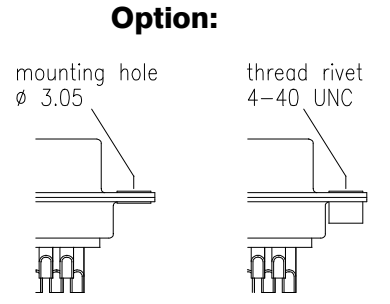
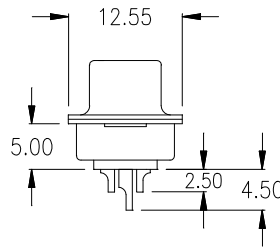
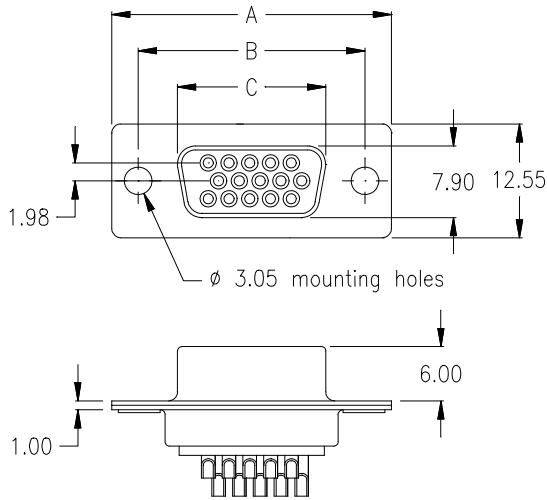


26 pin

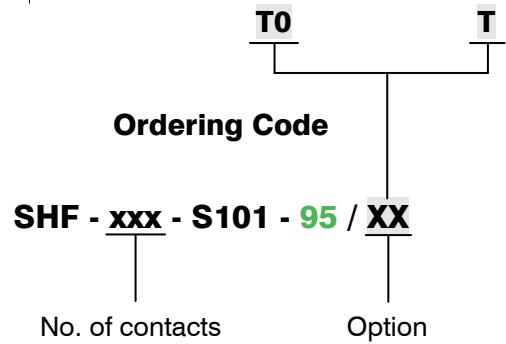


62 pin

female



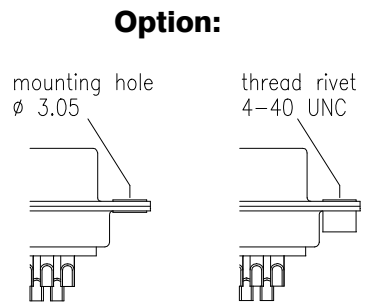
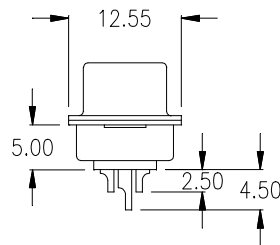
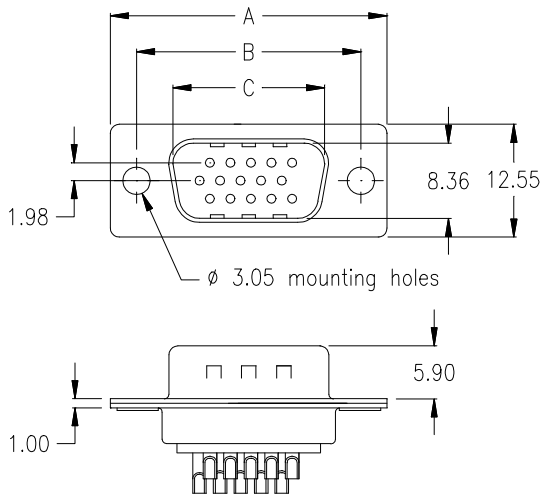
No. of contacts	Dimension		
	A	B	C
015	30.81 1.213	24.99 .984	16.33 .643
026	39.14 1.541	33.32 1.312	24.66 .971
044	53.04 2.088	47.04 1.852	38.38 1.511
062	69.32 2.729	63.50 2.500	54.84 2.159



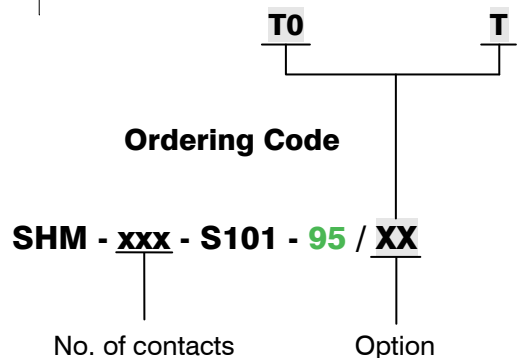
General Specification page 72

Plating: -95 = tin(leadfree)/gold

male



No. of contacts	Dimension		
	A	B	C
015	30.81 1.213	24.99 .984	16.92 .666
026	39.14 1.541	33.32 1.312	25.25 .994
044	53.04 2.088	47.04 1.852	38.96 1.534
062	69.32 2.729	63.50 2.500	55.42 2.182



General Specification page 72

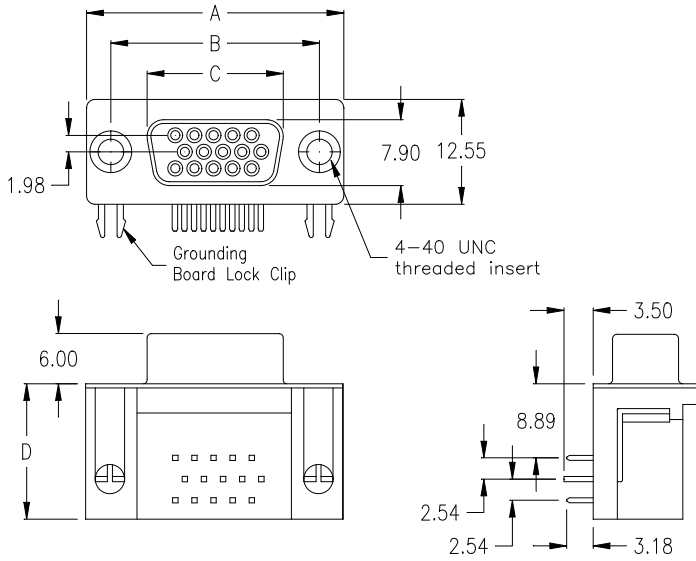
Plating: -95 = tin(leadfree)/gold

SH Series - High Density D-Sub 90°

F900 "Wave Solder" & "Pin-In-Paste" Technology

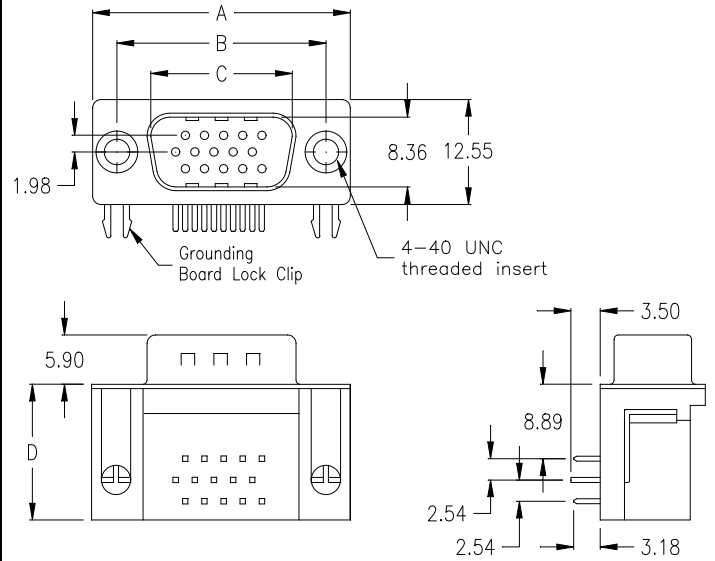


female



PCB hole layout on page 38

male



PCB hole layout on page 38

No. of contacts	Dimension				Ordering Code
	A	B	C	D	
015	30.81	24.99	16.33	16.22	SHF-015-F900-55/ XX SHF-015-F900-95/V XX
	1.213	.984	.643	.639	
026	39.14	33.32	24.66	16.22	SHF-026-F900-55/ XX
	1.541	1.311	.971	.639	
044	53.04	47.04	38.38	16.22	SHF-044-F900-55/ XX
	2.088	1.852	1.511	.639	
062	69.32	63.50	54.84	16.22	SHF-062-F900-55/ XX
	2.729	2.500	2.159	.639	

Plating: **-55** = gold/gold (not available for VESA Type)
-95 = tin(leadfree)/gold

Option

No. of contacts	Dimension				Ordering Code
	A	B	C	D	
015	30.81	24.99	16.92	16.22	SHM-015-F900-55/ XX
	1.213	.984	.666	.639	
026	39.14	33.32	25.25	16.22	SHM-026-F900-55/ XX
	1.541	1.311	.994	.639	
044	53.04	47.04	38.96	16.22	SHM-044-F900-55/ XX
	2.088	1.852	1.534	.639	
062	69.32	63.50	55.42	16.22	SHM-062-F900-55/ XX
	2.729	2.500	2.182	.639	

Plating: **-55** = gold/gold
-95 = tin(leadfree)/gold (only on request)

Option

SHF - xxx - F900 - 95/V XX = VESA Type – blue colour insulator
Contact #9 recessed 1.27mm to allow last mate, first break on 5V supply

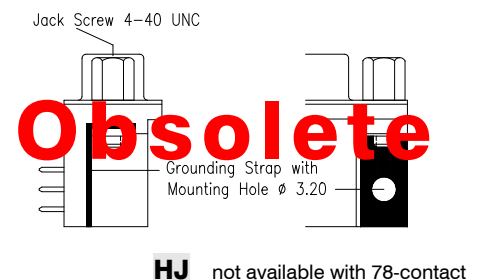
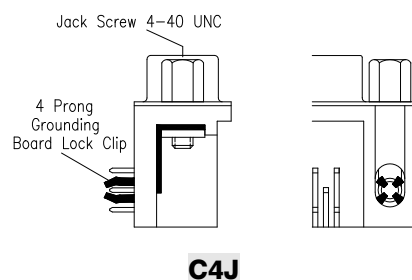
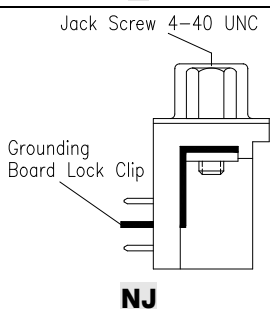
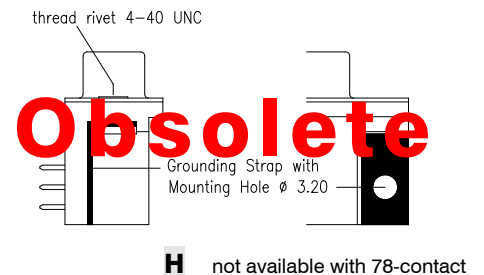
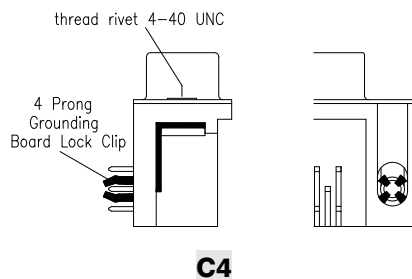
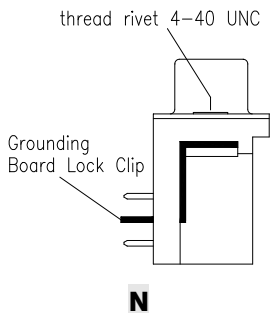
"Pin-In-Paste" Technology - for availability pls. contact info@e-tec-asia.com.tw

General Specification page 72

Options

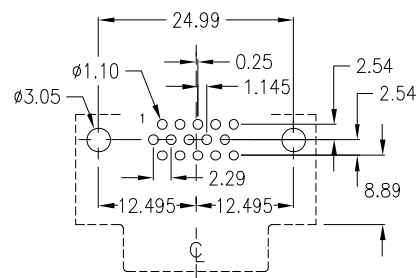
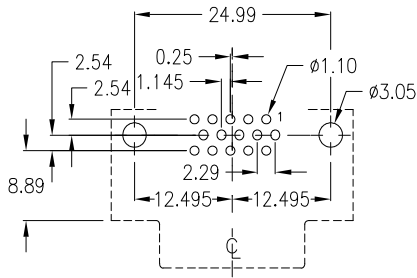
Special product.

Please ask for availability and minimum order quantity before you consider the article for development, design in or production purposes.



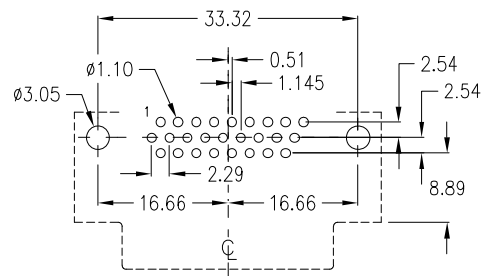
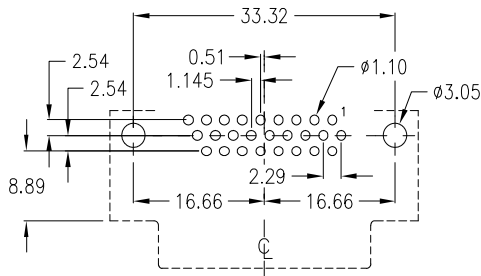
female

male



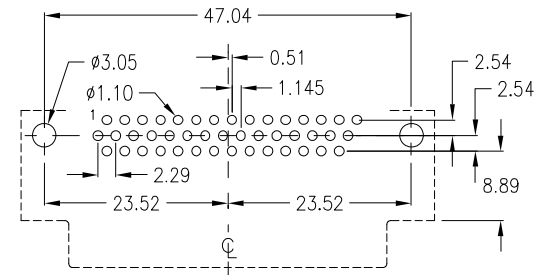
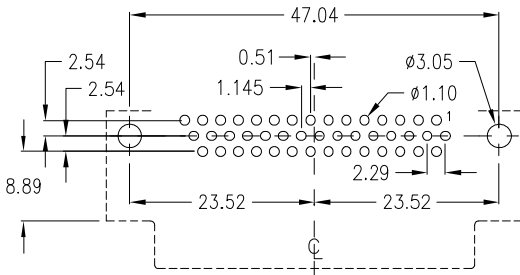
15-pin

15-pin



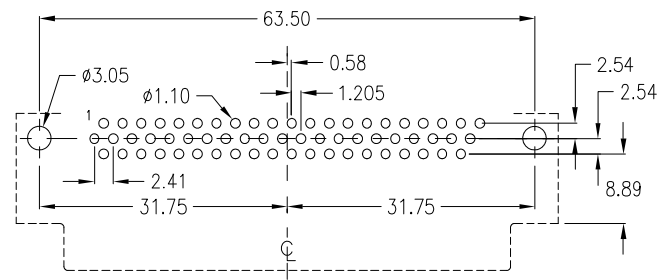
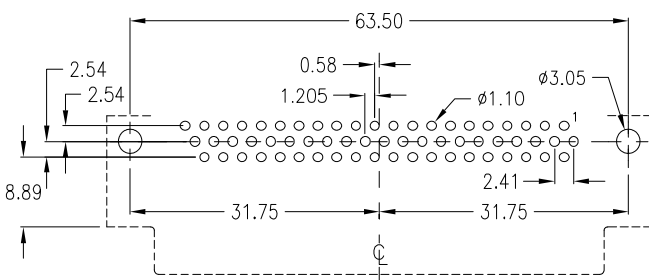
26-pin

26-pin



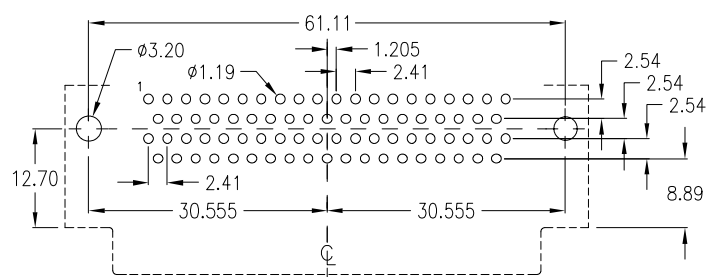
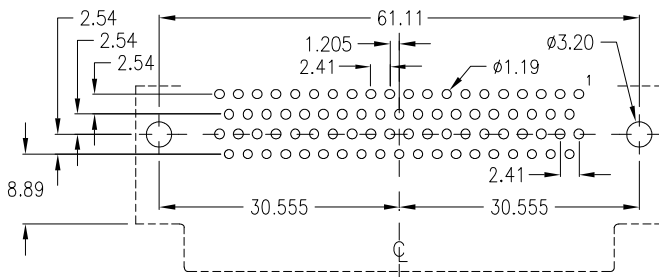
44-pin

44-pin



62-pin

62-pin

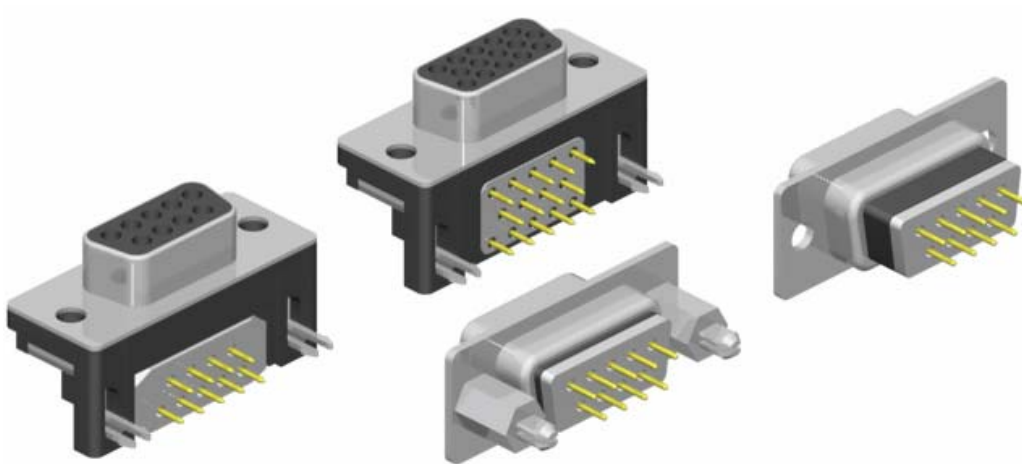


78-pin

78-pin

Ferrite Filter

D-Sub

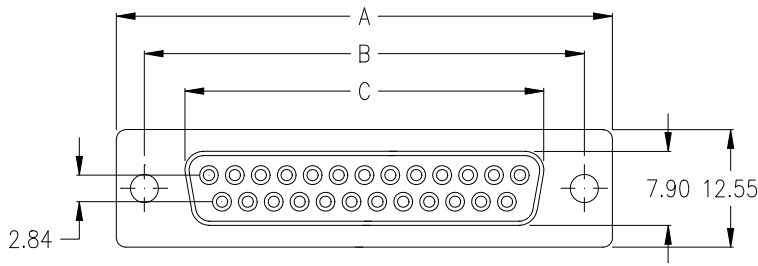


D-Sub Filter Connectors are the ideal solution to reduce or eliminate „electro magnetic interference“ (EMI).

Many different types, straight, right angle single and dual port, as well as High Density versions are available.

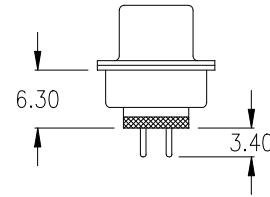
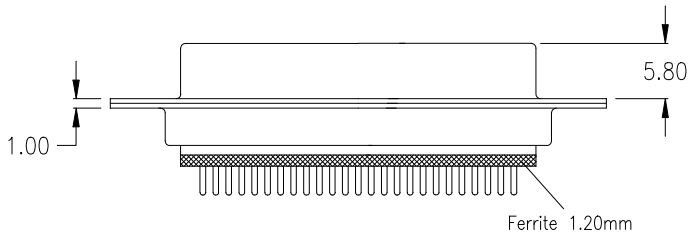
Capacitance D-Sub Filter Connectors are available on request.

female



FERRITE SPECIFICATION

No of Contact	Measured Value(OHM)	Test Frequency	Ferrite thickness
009	20 min. 40 min.	25 MHz 100 MHz	1.20mm
015	15 min. 35 min.	25 MHz 100 MHz	
025	15 min. 40 min.	25 MHz 100 MHz	
037	20 min. 50 min.	25 MHz 100 MHz	



Ordering Code

SDF - xxx - S111 - 95 / F XXX

No. of contacts

Option

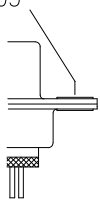
Plating: -95= tin(leadfree)/gold

General Specification page 72

No. of contacts	Dimension		
	A	B	C
009	<u>30.81</u> 1.213	<u>24.99</u> .984	<u>16.33</u> .643
015	<u>39.14</u> 1.541	<u>33.32</u> 1.312	<u>24.66</u> .971
025	<u>53.04</u> 2.088	<u>47.04</u> 1.852	<u>38.38</u> 1.511
037	<u>69.32</u> 2.729	<u>63.50</u> 2.500	<u>54.84</u> 2.159

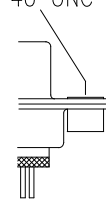
Options

mounting hole
ø 3.05



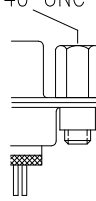
T0

thread rivet
4-40 UNC



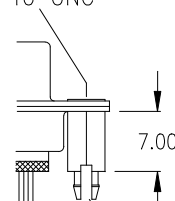
T

Jack Screw
4-40 UNC



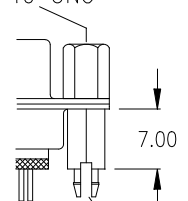
TJ

inside thread
4-40 UNC



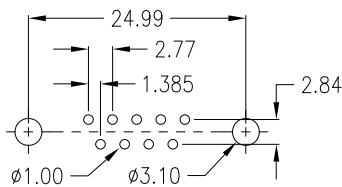
BR

Jack Screw
4-40 UNC

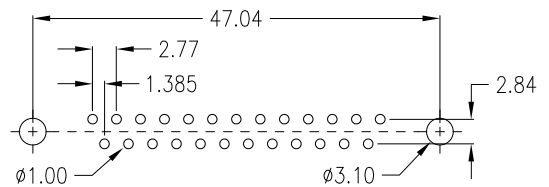


BRJ

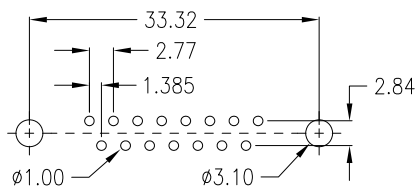
PCB Layout „female“



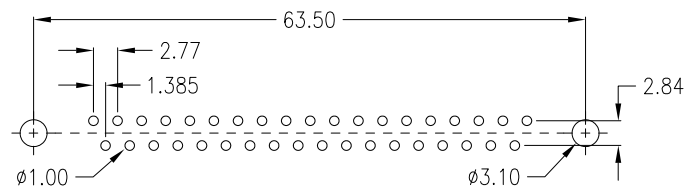
9 pin



25 pin



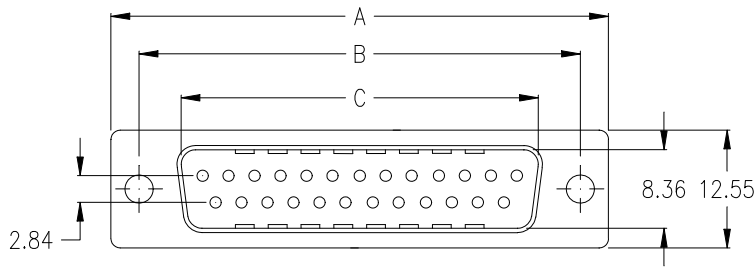
15 pin



37 pin

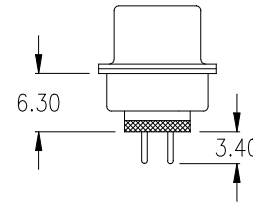
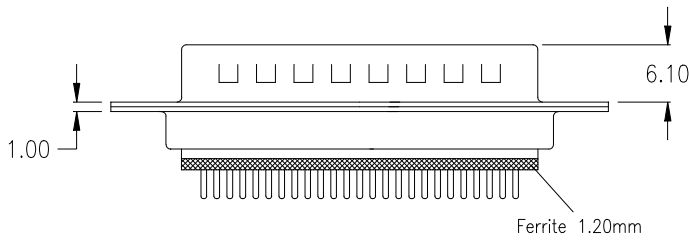
S111 standard soldertail type

male



FERRITE SPECIFICATION

No of Contact	Measured Value(OHM)	Test Frequency	Ferrite thickness
009	20 min. 40 min.	25 MHz 100 MHz	1.20mm
015	15 min. 35 min.	25 MHz 100 MHz	
025	15 min. 40 min.	25 MHz 100 MHz	
037	20 min. 50 min.	25 MHz 100 MHz	



Ordering Code

SDM - xxx - S111 - 95 / F XXX

No. of contacts

Option

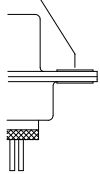
Plating: -95 = tin(leadfree)/gold

General Specification page 72

No. of contacts	Dimension		
	A	B	C
009	<u>30.81</u> 1.213	<u>24.99</u> .984	<u>16.92</u> .666
015	<u>39.14</u> 1.541	<u>33.32</u> 1.312	<u>25.25</u> .994
025	<u>53.04</u> 2.088	<u>47.04</u> 1.852	<u>38.96</u> 1.534
037	<u>69.32</u> 2.729	<u>63.50</u> 2.500	<u>55.42</u> 2.182

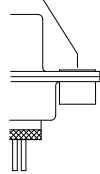
Options

mounting hole
ø 3.05



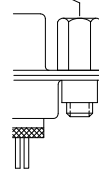
T0

thread rivet
4-40 UNC



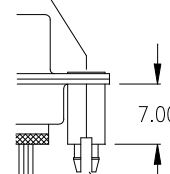
T

Jack Screw
4-40 UNC



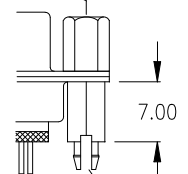
TJ

inside thread
4-40 UNC



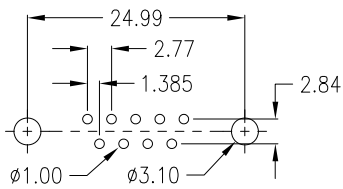
BR

Jack Screw
4-40 UNC

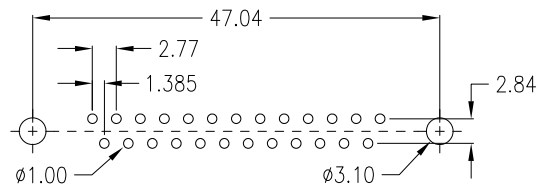


BRJ

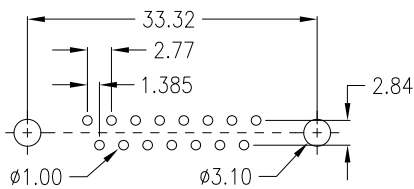
PCB Layout „male“



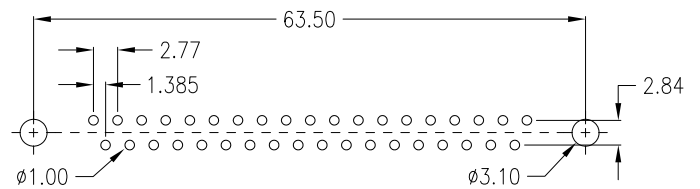
9 pin



25 pin

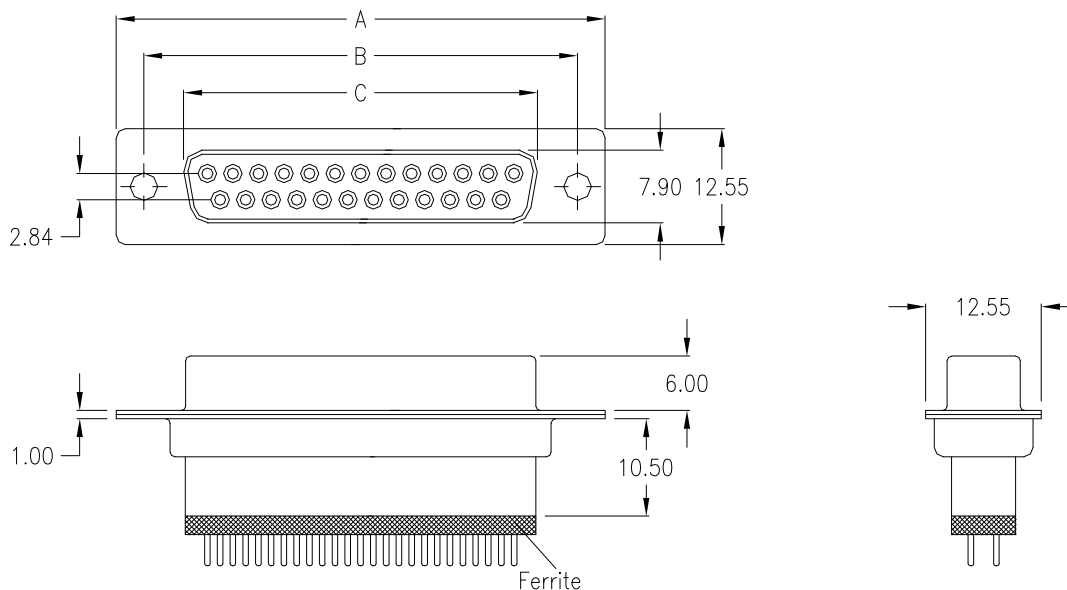


15 pin



37 pin

female



Ordering Code

SDF - xxx - B111 - 95 / F XXX

No. of contacts

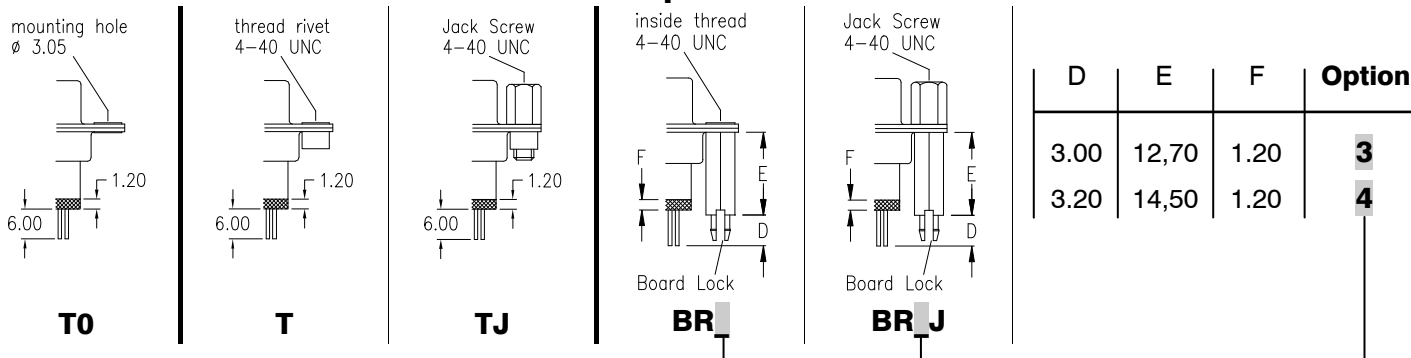
Option

Plating: -95 = tin(leadfree)/gold

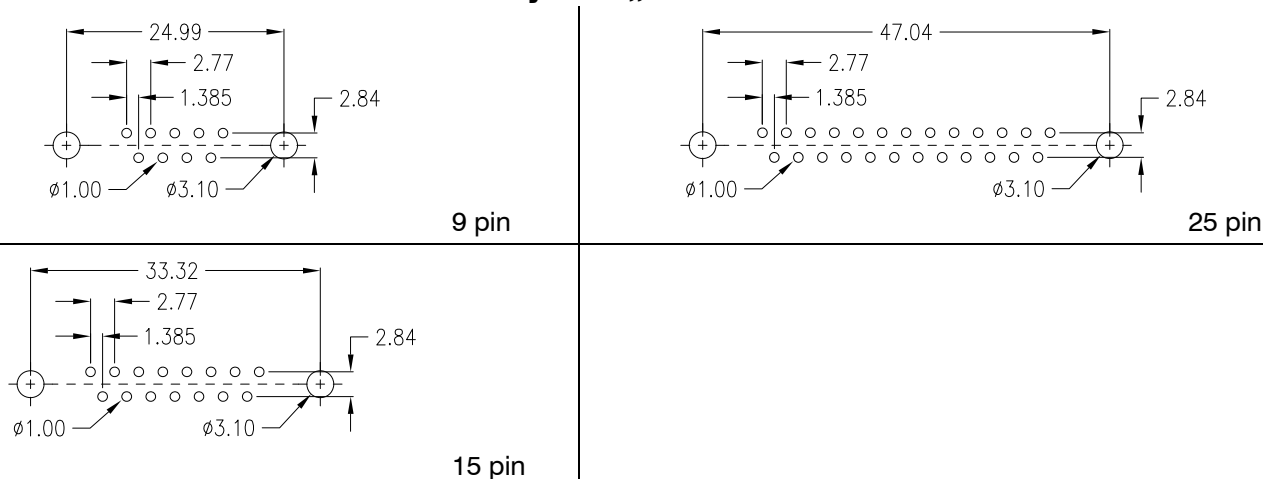
General Specification page 72

No. of contacts	Dimension		
	A	B	C
009	30.81 1.213	24.99 .984	16.33 .643
015	39.14 1.541	33.32 1.312	24.66 .971
025	53.04 2.088	47.04 1.852	38.38 1.511

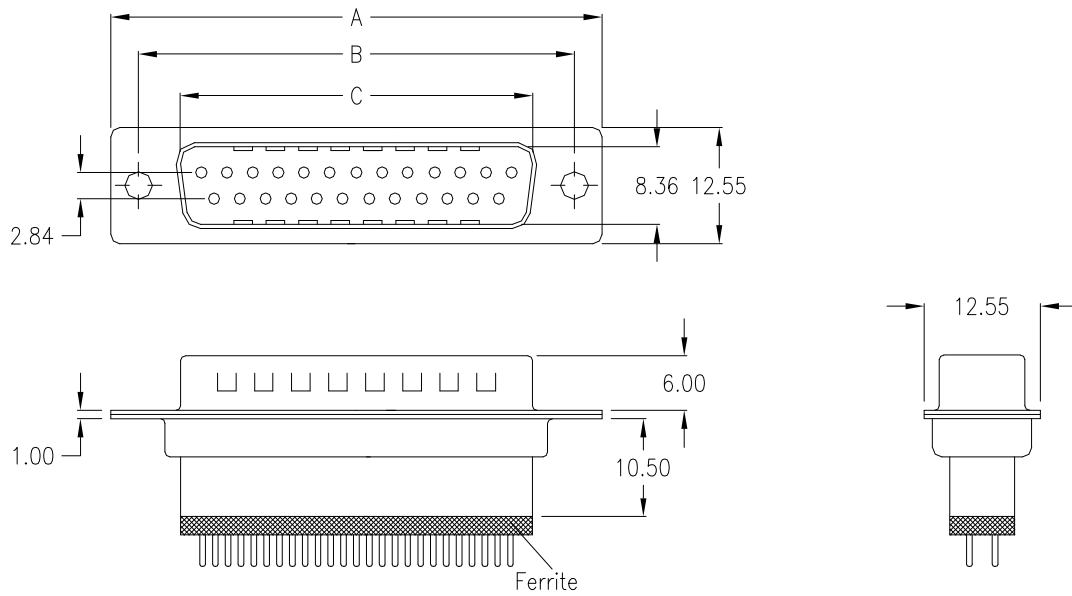
Options



PCB Layout „female“



male



Ordering Code

SDM - xxx - B111 - 95 / F XXX

No. of contacts

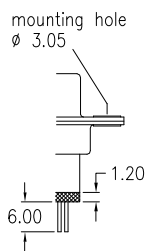
Option

Plating: -95 = tin(leadfree)/gold

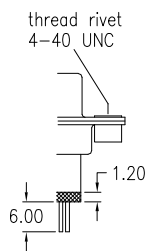
General Specification page 72

No. of contacts	Dimension		
	A	B	C
009	30.81 1.213	24.99 .984	16.92 .666
015	39.14 1.541	33.32 1.312	25.25 .994
025	53.04 2.088	47.04 1.852	38.96 1.534
037	69.32 2.729	63.50 2.500	55.42 2.182

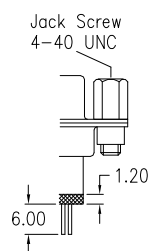
Options



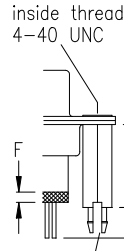
T0



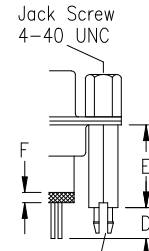
T



TJ



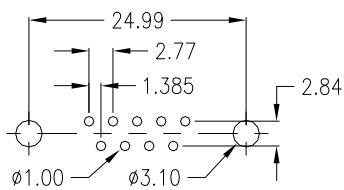
BR



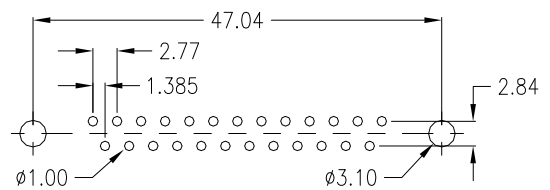
BRJ

D	E	F	Option
3.00	12,70	1.20	3
3.20	14,50	1.20	4

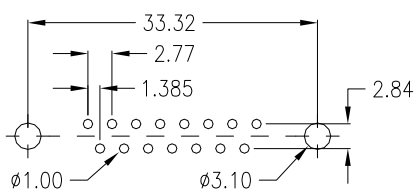
PCB Layout „male“



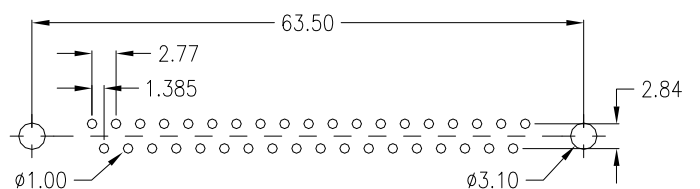
9 pin



25 pin

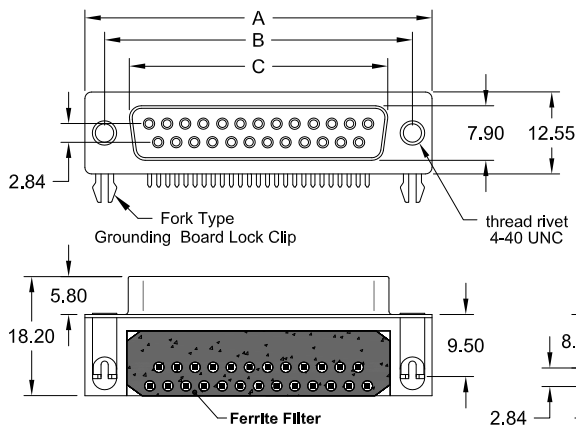


15 pin



37 pin

female



PCB hole layout on page 29

No. of contacts	Dimension		
	A	B	C
009	30.81	24.99	16.33
	1.213	.984	.643
015	39.20	33.30	24.70
	1.543	1.311	.972
025	53.05	47.04	38.40
	2.088	1.852	1.512
037	69.40	63.50	54.80
	2.732	2.500	2.157

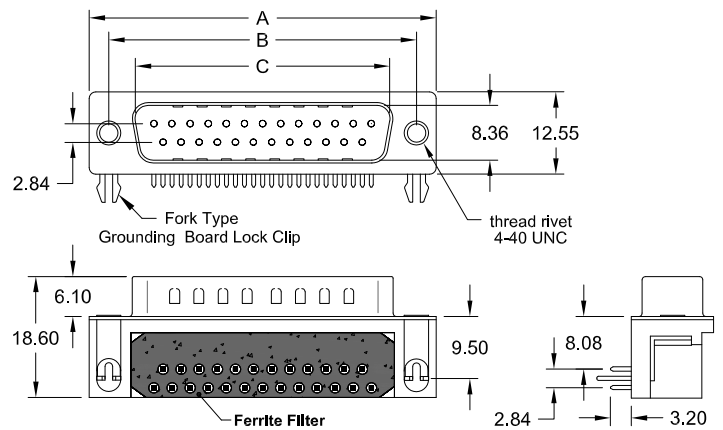
Ordering Code

SFF - xxx - N900 - 95 / XX

No. of contacts

Option

male



PCB hole layout on page 29

No. of contacts	Dimension		
	A	B	C
009	30.81	24.99	16.92
	1.213	.984	.666
015	39.20	33.30	25.25
	1.543	1.311	.994
025	53.05	47.04	38.96
	2.088	1.852	1.534
037	69.40	63.50	55.42
	2.732	2.500	2.182

Ordering Code

SFM - xxx - N900 - 95 / XX

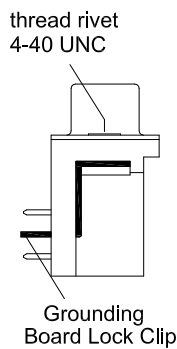
No. of contacts

Option

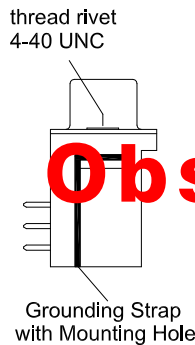
Plating: -95 = tin(leadfree)/gold

General Specification page 72

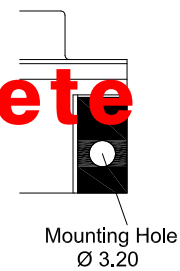
Options



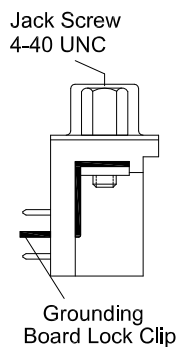
N



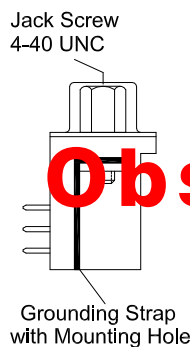
H



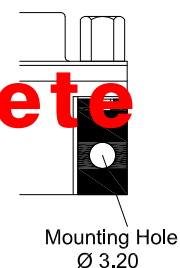
Obsolete



NJ

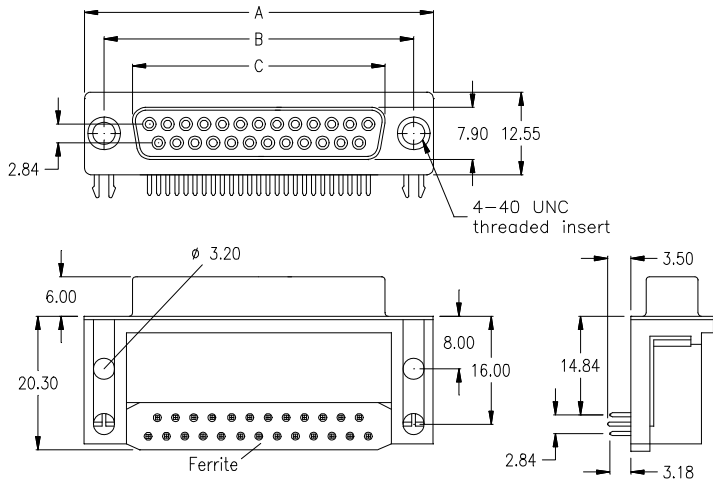


HJ



Obsolete

female



PCB hole layout on page 29

No. of contacts	Dimension		
	A	B	C
009	30.81	24.99	16.33
	1.213	.984	.643
015	39.14	33.32	24.66
	1.541	1.312	.971
025	50.04	47.04	38.38
	1.988	1.852	1.511
037	69.32	63.32	54.82
	2.729	2.512	2.159

Obsolete

Ordering Code

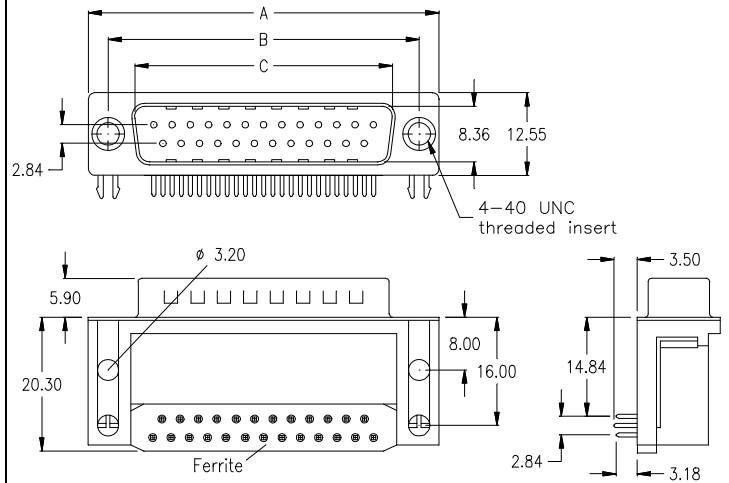
SFF - xxx - L900 - 95 / XX

No. of contacts

Option

Plating: -95 = tin(leadfree)/gold

male



PCB hole layout on page 29

No. of contacts	Dimension		
	A	B	C
009	30.81	24.99	16.92
	1.213	.984	.666
015	39.14	33.32	25.25
	1.541	1.312	.994
025	50.04	47.04	38.96
	1.988	1.852	1.534
037	69.32	63.32	55.42
	2.729	2.512	2.182

Ordering Code

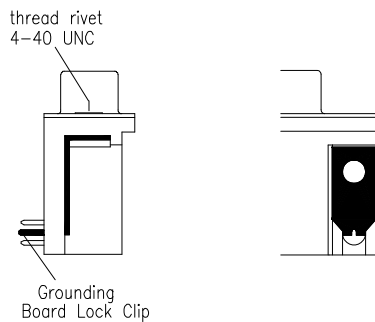
SFM - xxx - L900 - 95 / XX

No. of contacts

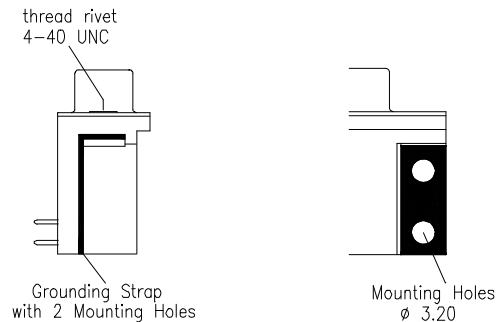
Option

General Specification page 72

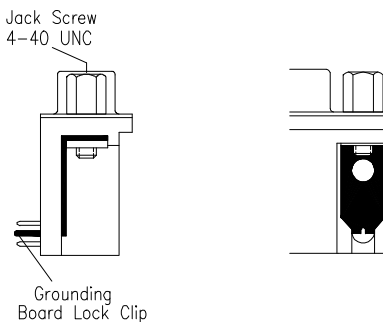
Options



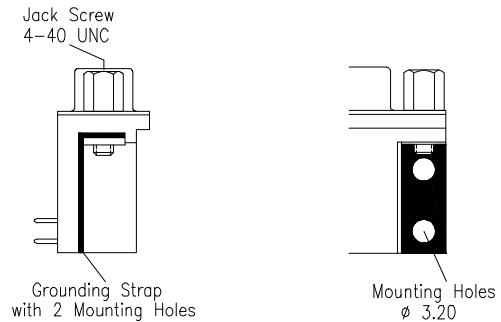
P



L

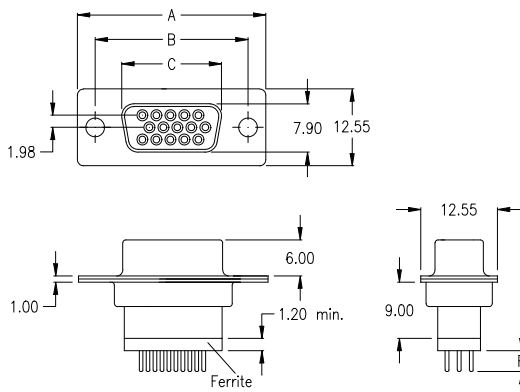


PJ



LJ

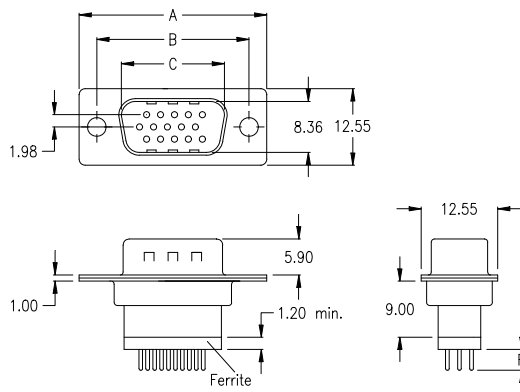
female



No. of contacts	Dimension		
	A	B	C
015	30.81	24.99	16.33
	1.213	.984	.643
026	39.14	33.32	24.66
	1.541	1.3	.971
044	50.04	47.00	38.30
	1.988	1.8	1.51
062	63.50	63.50	54.81
	2.5	2.5	2.159

Obsolete

male



No. of contacts	Dimension		
	A	B	C
015	30.81	24.99	16.92
	1.213	.984	.666

Ordering Code
SHF - xxx - B 111 - 95 / F XX

No. of contacts

Option

Plating: -95 = tin(leadfree)/gold -55 = gold all over

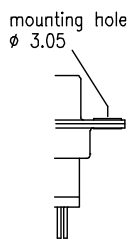
Ordering Code
SHM - 015 - B 111 - 55 / F XX

No. of contacts

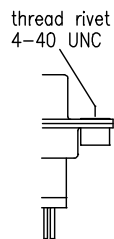
Option

General Specification page 72

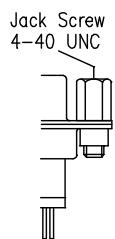
Options



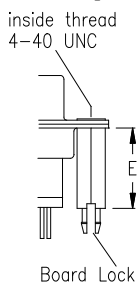
T0



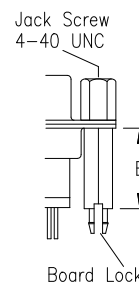
T



TJ



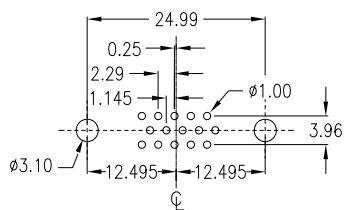
BR



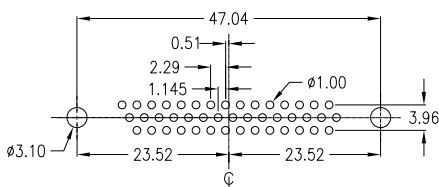
BRJ

E	F	Option
12,70	4.60	3
14,50	5.20	4

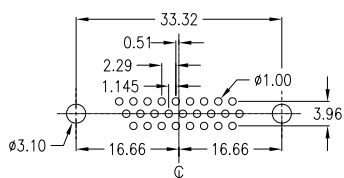
PCB Layout „female“



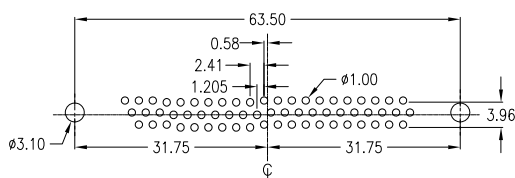
15 pin



44 pin

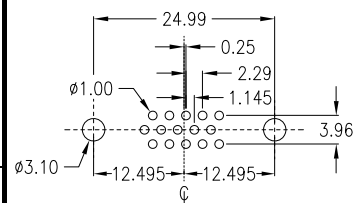


26 pin



62 pin

PCB Layout „male“

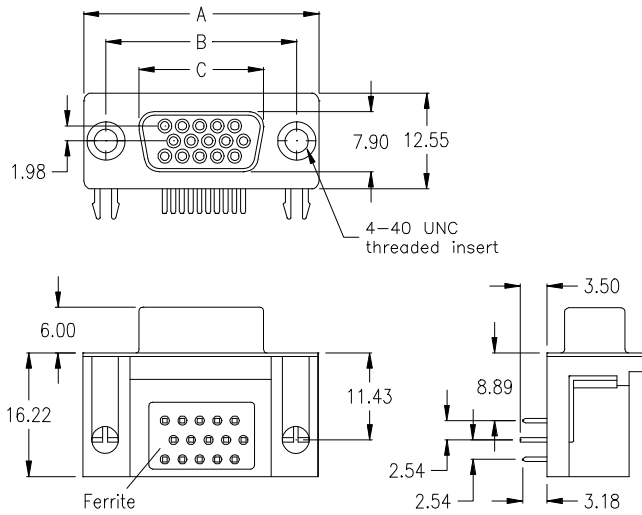


15 pin

SH Series - High Density D-Sub 90° F900 with Ferrite Filter



female



PCB hole layout on page 38

No. of contacts	Dimension		
	A	B	C
015	30.81	24.99	16.33
	1.213	.984	.643
026	39.14	33.32	24.66
	1.541	1.312	.971
044	47.04	38.38	28.96
	1.888	1.511	1.134
062	55.32	45.84	35.42
	2.178	1.804	1.391

Obsolete

Ordering Code

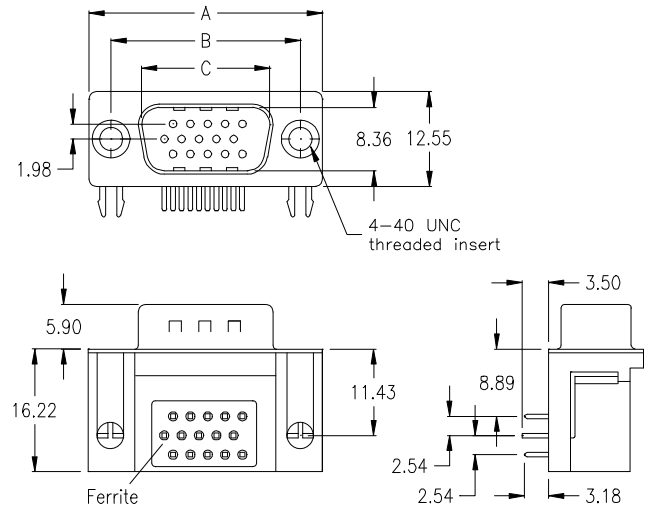
SHF - xxx - F 900 - 95 / F XX

No. of contacts

Option

Plating: -95 = tin(leadfree)/gold

male



PCB hole layout on page 38

No. of contacts	Dimension		
	A	B	C
015	30.81	24.99	16.92
	1.213	.984	.666
026	39.14	33.32	25.25
	1.541	1.312	.994
044	47.04	38.38	28.96
	1.888	1.511	1.134
062	55.32	45.84	35.42
	2.178	1.804	1.391

Ordering Code

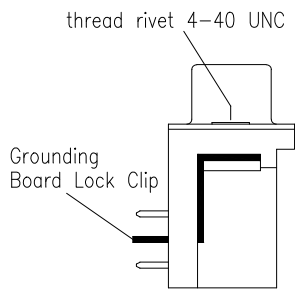
SHM - xxx - F 900 - 95 / F XX

No. of contacts

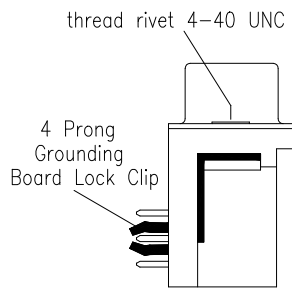
Option

General Specification page 72

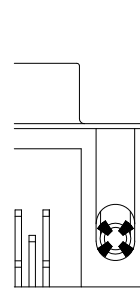
Options



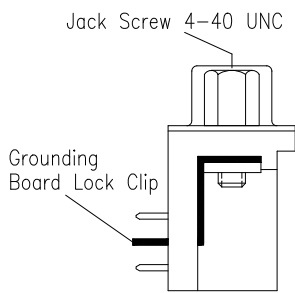
N



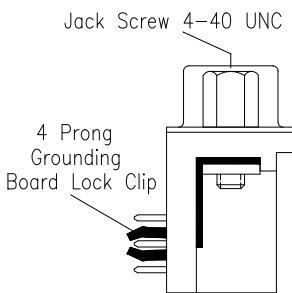
C4



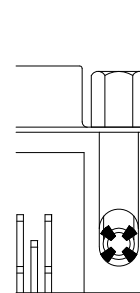
H



NJ

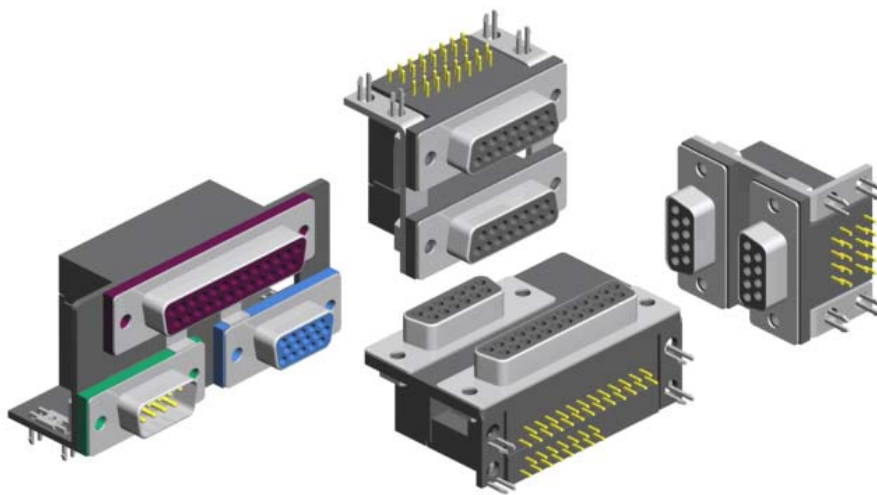


C4J



HJ

Multi Port D-Sub



Multi Port D-Sub Connectors are available with a wide combination of different D-Sub types, standard and high density, with and without ferrite filter.

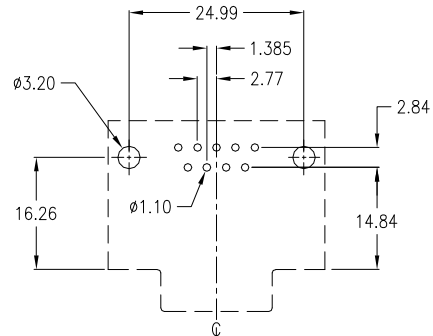
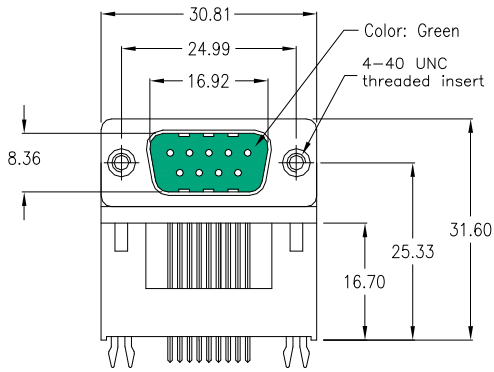
In addition, Triple Port D-Sub's are also available which meet the PC 99 Specification.

These Multi Port D-Sub's can be used on motherboards, as well as for any other electronic design purposes.

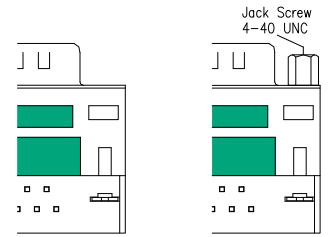
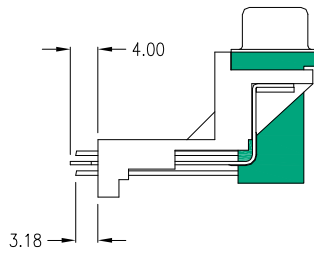
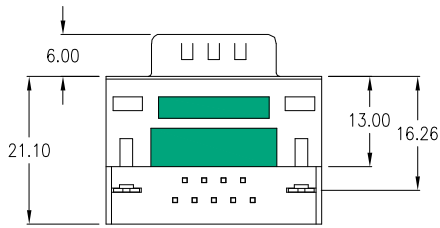
Please contact E-tec for any other Multi Port D-Sub Connector styles not shown in the following pages and/or for any other PCB layout styles.

Certain alternative styles can also be viewed on www.e-tec.com

9-pin male raised



PCB hole layout



Style "-MN"

Style "-MNJ"

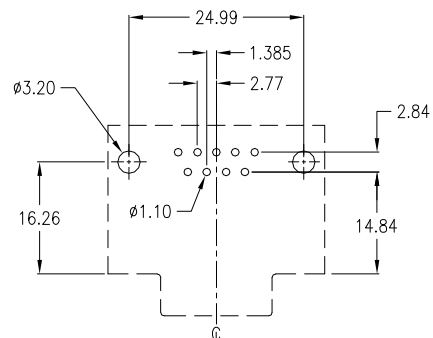
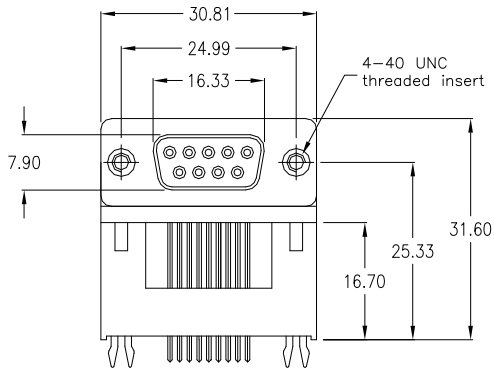
with 2 grounding clips;
w/o jack screws
Standard
(as above drawing)

with 2 grounding clips;
2 jack screws 4-40 UNC
mounted
Option

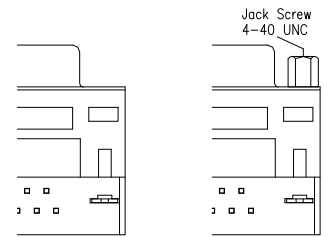
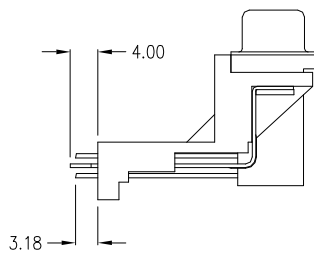
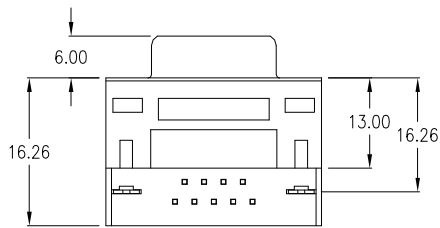
SDD-0900-2-95-MN

SDD-0900-2-95-MNJ

9-pin female raised



PCB hole layout



Style "-FN"

Style "-FNJ"

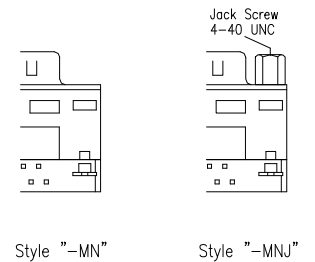
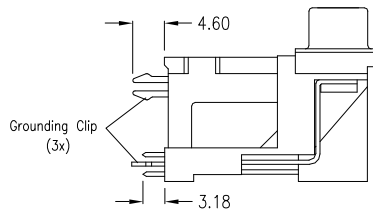
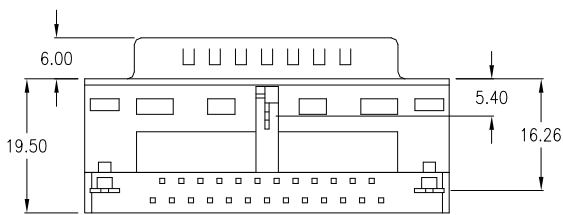
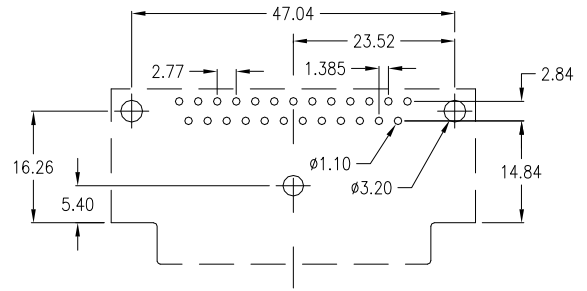
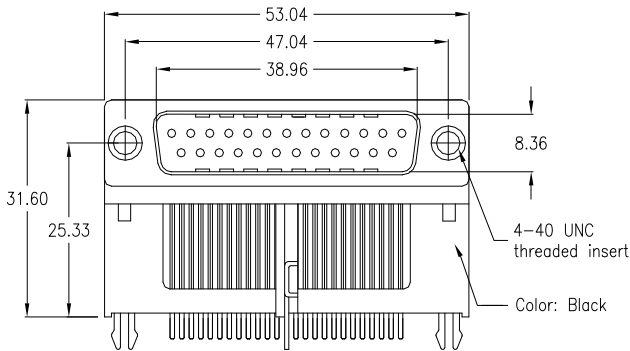
with 2 grounding clips;
w/o jack screws
Standard
(as above drawing)

with 2 grounding clips;
2 jack screws 4-40 UNC
mounted
Option

SDD-0900-2-95-FN

SDD-0900-2-95-FNJ

25-pin male raised



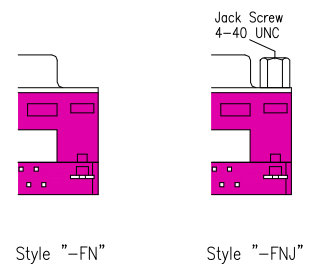
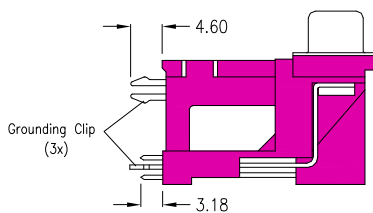
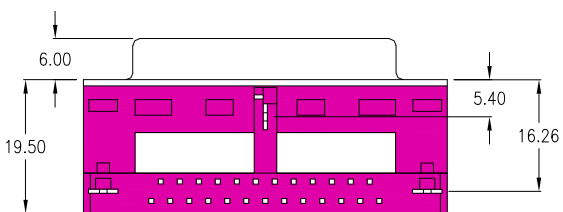
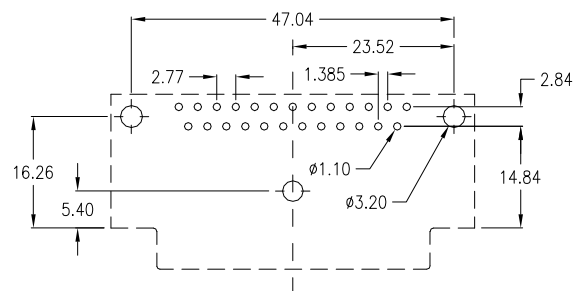
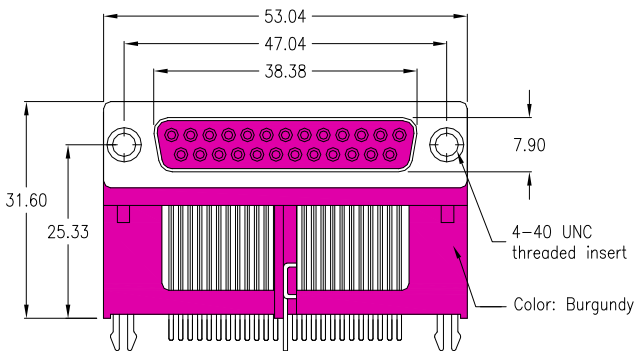
with 3 grounding clips;
w/o jack screws
Standard
(as above drawing)

with 3 grounding clips;
2 jack screws 4-40 UNC
mounted
Option

SDD-2500-2-95-MN

SDD-2500-2-95-MNJ

25-pin female raised



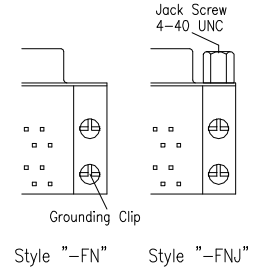
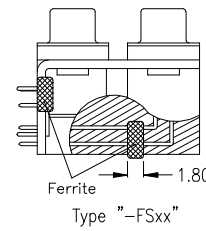
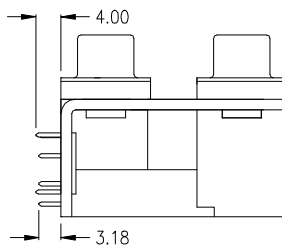
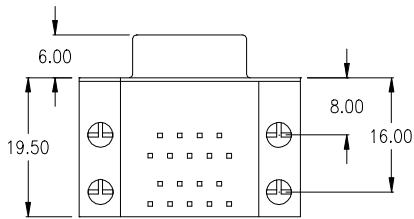
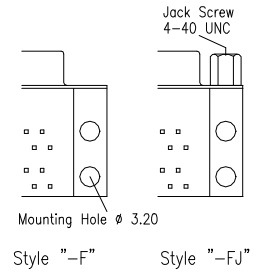
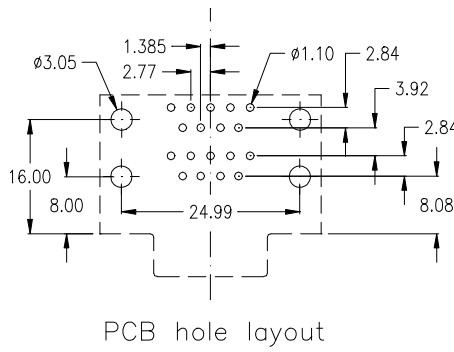
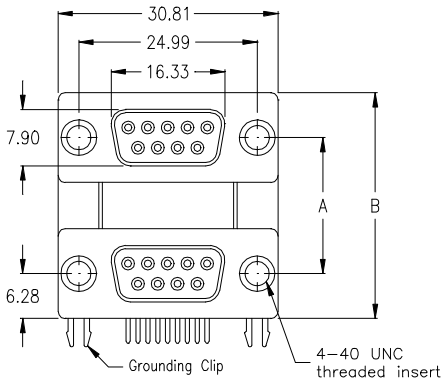
with 3 grounding clips;
w/o jack screws
Standard
(as above drawing)

with 3 grounding clips;
2 jack screws 4-40 UNC
mounted
Option

SDD-2500-2-95-FN

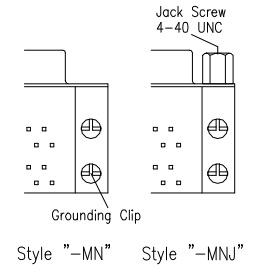
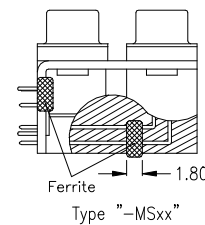
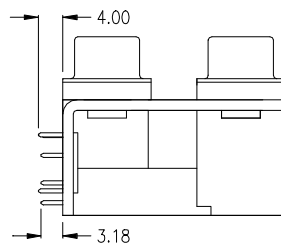
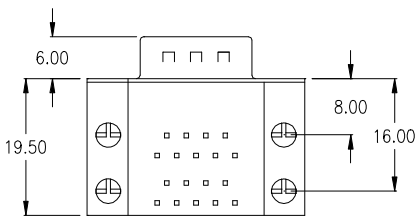
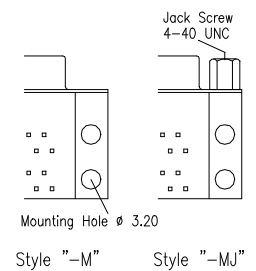
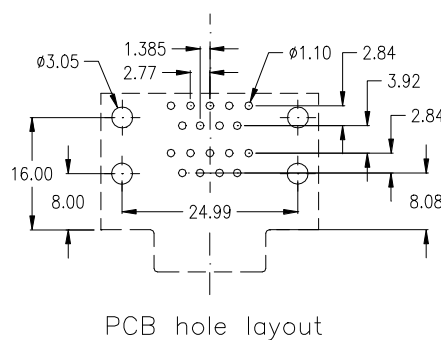
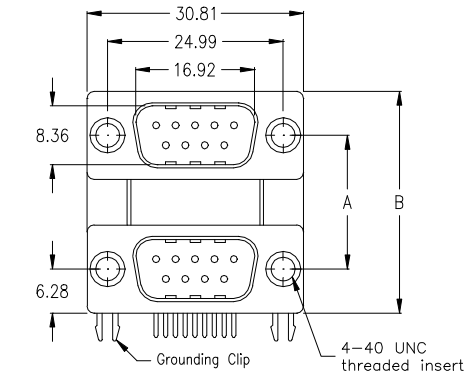
SDD-2500-2-95-FNJ

9-pin female / 9-pin female



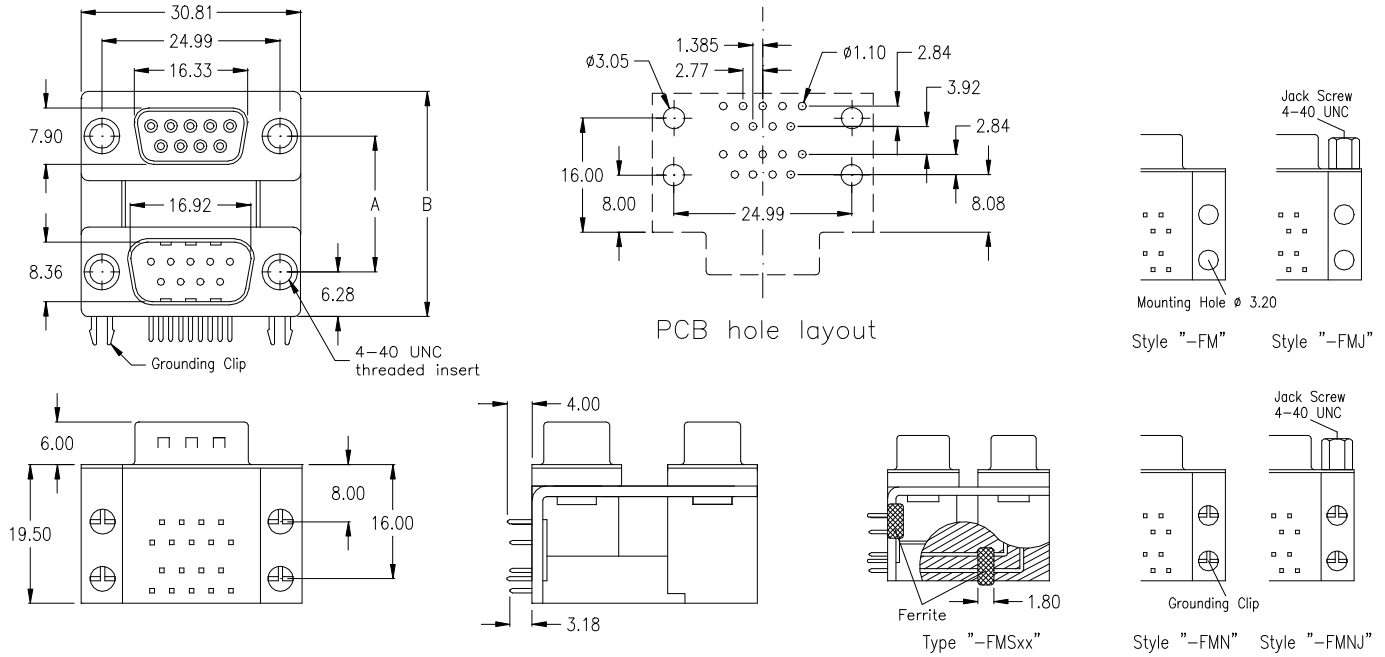
without grounding clips just 4 mounting holes	without grounding clips, just 4 mounting holes; 4 jack screws 4-40 UNC mounted	with 4 grounding clips (as above drawing)	with 4 grounding clips; 4 jack screws 4-40 UNC mounted	Distance Dimensions	
SDD-0909-1-95-F	SDD-0909-1-95-FJ	SDD-0909-1-95-FN	SDD-0909-1-95-FNJ	„A“ = 22.86	„B“ = 35.41
SDD-0909-2-95-F	SDD-0909-2-95-FJ	SDD-0909-2-95-FN	SDD-0909-2-95-FNJ	„A“ = 19.05	„B“ = 31.60
SDD-0909-3-95-F	SDD-0909-3-95-FJ	SDD-0909-3-95-FN	SDD-0909-3-95-FNJ	„A“ = 15.87	„B“ = 28.42
if with Ferrite Filter: -FS	if with Ferrite Filter: -FSJ	if with Ferrite Filter: -FSN	if with Ferrite Filter: -FSNJ		

9-pin male / 9-pin male



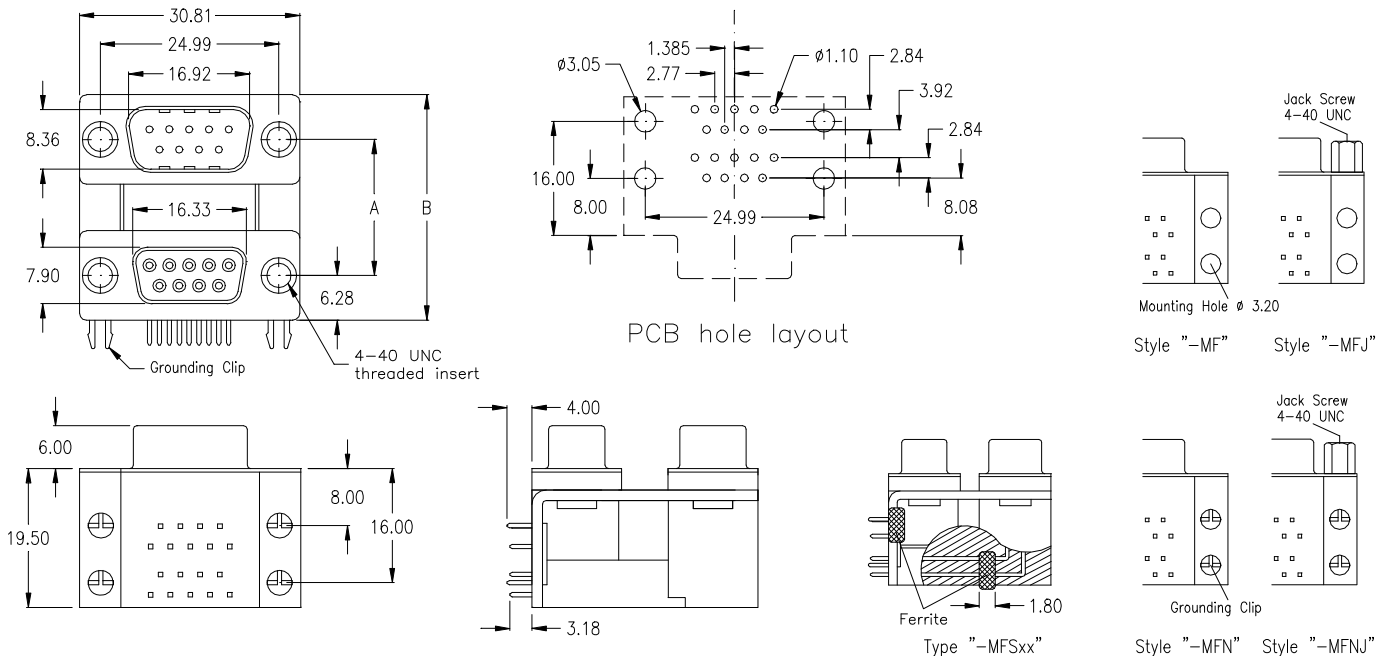
without grounding clips just 4 mounting holes	without grounding clips, just 4 mounting holes; 4 jack screws 4-40 UNC mounted	with 4 grounding clips (as above drawing)	with 4 grounding clips; 4 jack screws 4-40 UNC mounted	Distance Dimensions	
SDD-0909-1-95-M	SDD-0909-1-95-MJ	SDD-0909-1-95-MN	SDD-0909-1-95-MNJ	„A“ = 22.86	„B“ = 35.41
SDD-0909-2-95-M	SDD-0909-2-95-MJ	SDD-0909-2-95-MN	SDD-0909-2-95-MNJ	„A“ = 19.05	„B“ = 31.60
SDD-0909-3-95-M	SDD-0909-3-95-MJ	SDD-0909-3-95-MN	SDD-0909-3-95-MNJ	„A“ = 15.87	„B“ = 28.42
if with Ferrite Filter: -MS	if with Ferrite Filter: -MSJ	if with Ferrite Filter: -MSN	if with Ferrite Filter: -MSNJ		

9-pin female / 9-pin male



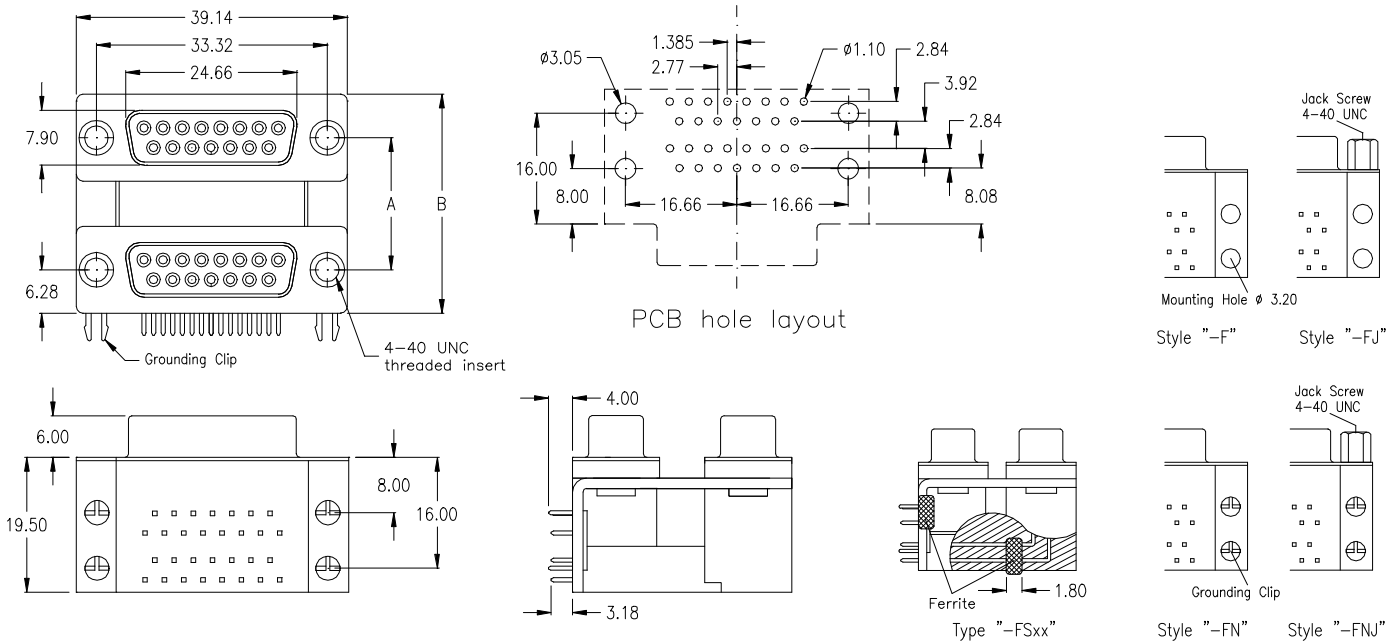
without grounding clips just 4 mounting holes	without grounding clips, just 4 mounting holes; 4 jack screws 4-40 UNC mounted	with 4 grounding clips (as above drawing)	with 4 grounding clips; 4 jack screws 4-40 UNC mounted	Distance Dimensions
SDD-0909-1-95-FM	SDD-0909-1-95-FMJ	SDD-0909-1-95-FMN	SDD-0909-1-95-FMNJ	„A“ = 22.86 „B“ = 35.41
SDD-0909-2-95-FM	SDD-0909-2-95-FMJ	SDD-0909-2-95-FMN	SDD-0909-2-95-FMNJ	„A“ = 19.05 „B“ = 31.60
SDD-0909-3-95-FM	SDD-0909-3-95-FMJ	SDD-0909-3-95-FMN	SDD-0909-3-95-FMNJ	„A“ = 15.87 „B“ = 28.42
if with Ferrite Filter: -FMS	if with Ferrite Filter: -FMSJ	if with Ferrite Filter: -FMSN	if with Ferrite Filter: -FMSNJ	

9-pin male / 9-pin female



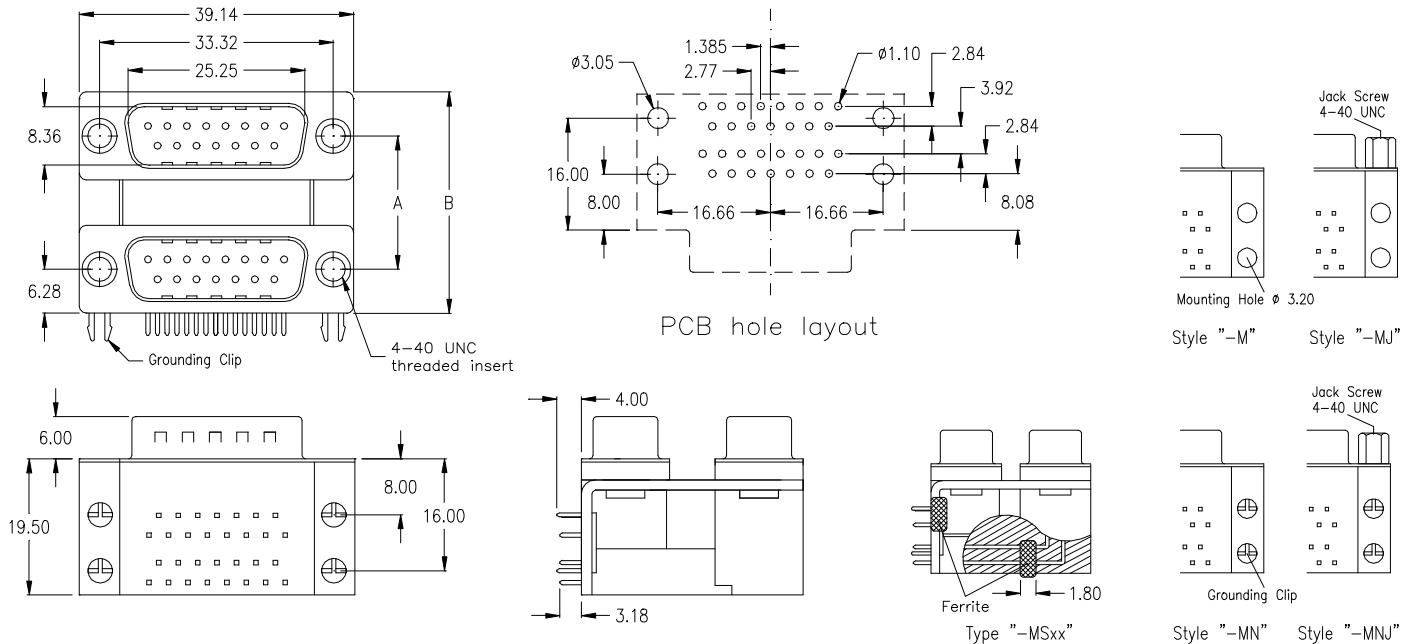
without grounding clips just 4 mounting holes	without grounding clips, just 4 mounting holes; 4 jack screws 4-40 UNC mounted	with 4 grounding clips (as above drawing)	with 4 grounding clips; 4 jack screws 4-40 UNC mounted	Distance Dimensions
SDD-0909-1-95-MF	SDD-0909-1-95-MFJ	SDD-0909-1-95-MFN	SDD-0909-1-95-MFNJ	„A“ = 22.86 „B“ = 35.41
SDD-0909-2-95-MF	SDD-0909-2-95-MFJ	SDD-0909-2-95-MFN	SDD-0909-2-95-MFNJ	„A“ = 19.05 „B“ = 31.60
SDD-0909-3-95-MF	SDD-0909-3-95-MFJ	SDD-0909-3-95-MFN	SDD-0909-3-95-MFNJ	„A“ = 15.87 „B“ = 28.42
if with Ferrite Filter: -MFS	if with Ferrite Filter: -MFSJ	if with Ferrite Filter: -MFSN	if with Ferrite Filter: -MFSNJ	

15-pin female / 15-pin female



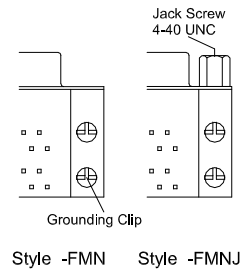
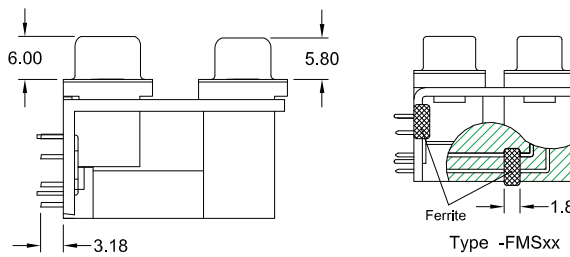
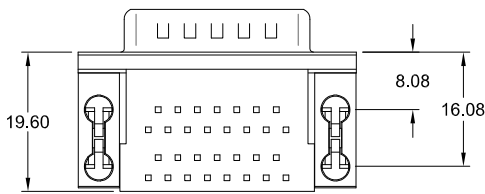
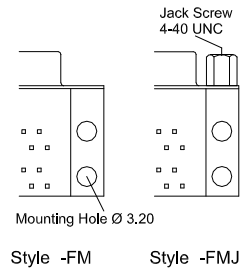
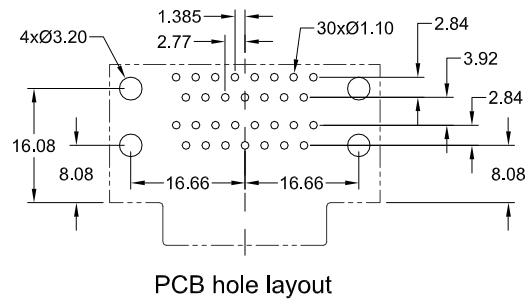
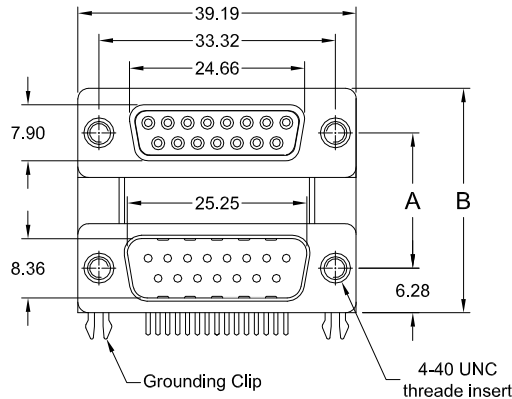
without grounding clips just 4 mounting holes	without grounding clips, just 4 mounting holes; 4 jack screws 4-40 UNC mounted	with 4 grounding clips (as above drawing)	with 4 grounding clips; 4 jack screws 4-40 UNC mounted	Distance Dimensions
SDD-1515-1-95-F	SDD-1515-1-95-FJ	SDD-1515-1-95-FN	SDD-1515-1-95-FNJ	„A“ = 22.86 „B“ = 35.41
SDD-1515-2-95-F	SDD-1515-2-95-FJ	SDD-1515-2-95-FN	SDD-1515-2-95-FNJ	„A“ = 19.05 „B“ = 31.60
SDD-1515-3-95-F	SDD-1515-3-95-FJ	SDD-1515-3-95-FN	SDD-1515-3-95-FNJ	„A“ = 15.87 „B“ = 28.42
if with Ferrite Filter: -FS	if with Ferrite Filter: -FSJ	if with Ferrite Filter: -FSN	if with Ferrite Filter: -FSNJ	

15-pin male / 15-pin male



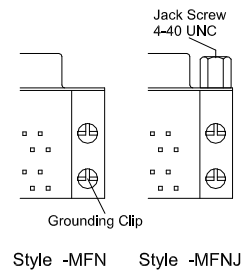
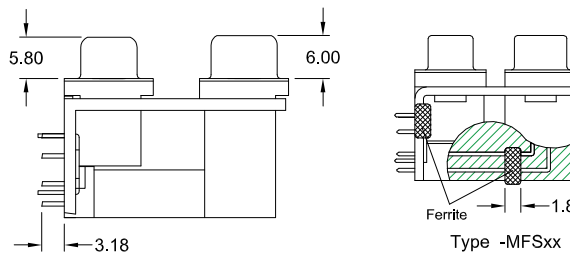
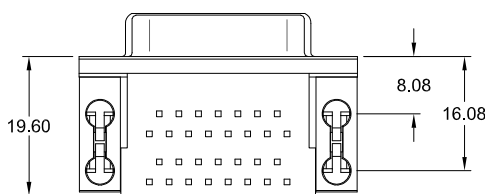
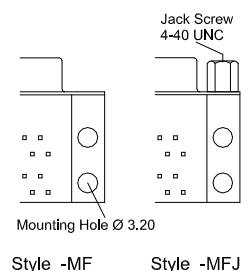
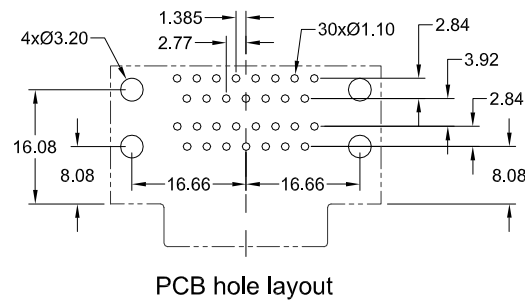
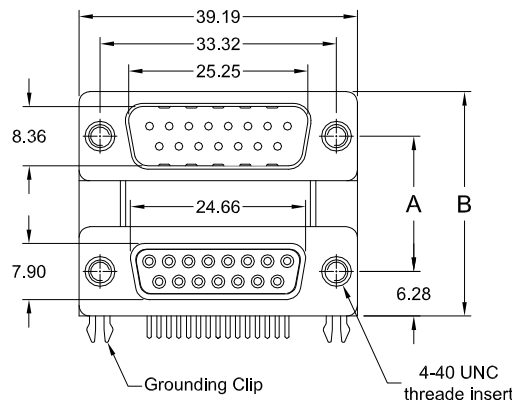
without grounding clips just 4 mounting holes	without grounding clips, just 4 mounting holes; 4 jack screws 4-40 UNC mounted	with 4 grounding clips (as above drawing)	with 4 grounding clips; 4 jack screws 4-40 UNC mounted	Distance Dimensions
SDD-1515-1-95-M	SDD-1515-1-95-MJ	SDD-1515-1-95-MN	SDD-1515-1-95-MNJ	„A“ = 22.86 „B“ = 35.41
SDD-1515-2-95-M	SDD-1515-2-95-MJ	SDD-1515-2-95-MN	SDD-1515-2-95-MNJ	„A“ = 19.05 „B“ = 31.60
SDD-1515-3-95-M	SDD-1515-3-95-MJ	SDD-1515-3-95-MN	SDD-1515-3-95-MNJ	„A“ = 15.87 „B“ = 28.42
if with Ferrite Filter: -MS	if with Ferrite Filter: -MSJ	if with Ferrite Filter: -MSN	if with Ferrite Filter: -MSNJ	

15-pin female / 15-pin male



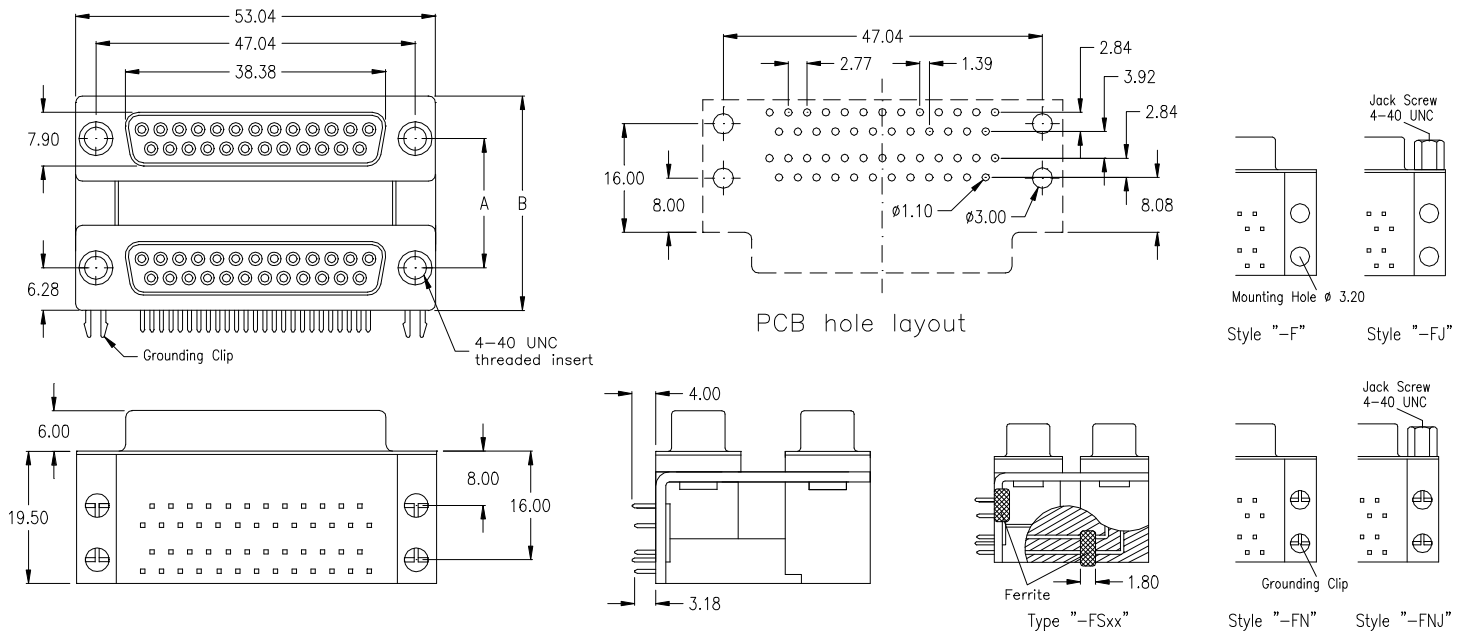
without grounding clips, just 4 mounting holes	without grounding clips, just 4 mounting holes; 4 jack screws 4-40 UNC mounted	with 4 grounding clips (as above drawing)	with 4 grounding clips; 4 jack screws 4-40 UNC mounted	Distance Dimensions	
SDD-1515-1-95-FM	SDD-1515-1-95-FMJ	SDD-1515-1-95-FMN	SDD-1515-1-95-FMNJ	„A“ = 22.86	„B“ = 35.41
SDD-1515-2-95-FM	SDD-1515-2-95-FMJ	SDD-1515-2-95-FMN	SDD-1515-2-95-FMNJ	„A“ = 19.05	„B“ = 31.60
SDD-1515-3-95-FM	SDD-1515-3-95-FMJ	SDD-1515-3-95-FMN	SDD-1515-3-95-FMNJ	„A“ = 15.88	„B“ = 28.43
if with Ferrite Filter: -FMS	if with Ferrite Filter: -FMSJ	if with Ferrite Filter: -FMSN	if with Ferrite Filter: -FMSNJ	If with Ferrite Filter requested, pls. ask for special documentation.	

15-pin male / 15-pin female



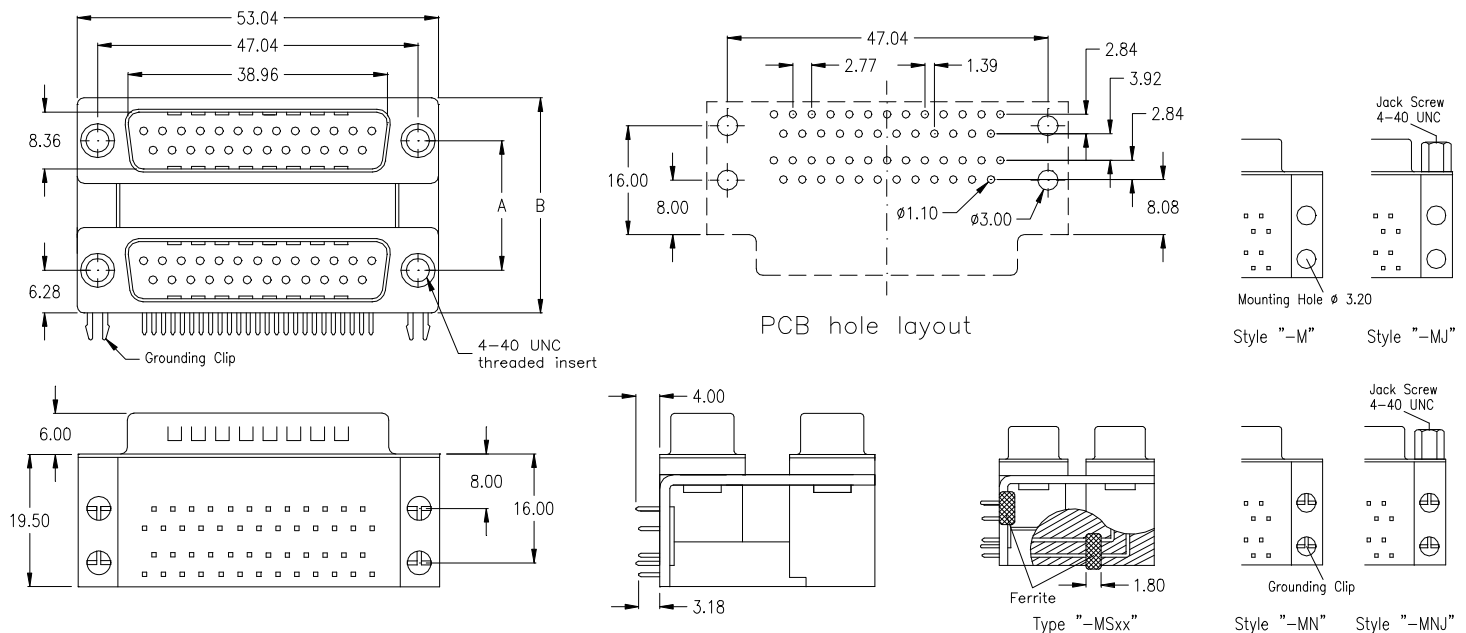
without grounding clips, just 4 mounting holes	without grounding clips, just 4 mounting holes; 4 jack screws 4-40 UNC mounted	with 4 grounding clips (as above drawing)	with 4 grounding clips; 4 jack screws 4-40 UNC mounted	Distance Dimensions	
SDD-1515-1-95-MF	SDD-1515-1-95-MFJ	SDD-1515-1-95-MFN	SDD-1515-1-95-MFNJ	„A“ = 22.86	„B“ = 35.41
SDD-1515-2-95-MF	SDD-1515-2-95-MFJ	SDD-1515-2-95-MFN	SDD-1515-2-95-MFNJ	„A“ = 19.05	„B“ = 31.60
SDD-1515-3-95-MF	SDD-1515-3-95-MFJ	SDD-1515-3-95-MFN	SDD-1515-3-95-MFNJ	„A“ = 15.88	„B“ = 28.43
if with Ferrite Filter: -MFS	if with Ferrite Filter: -MFSJ	if with Ferrite Filter: -MFSN	if with Ferrite Filter: -MFSNJ	If with Ferrite Filter requested, pls. ask for special documentation.	

25-pin female / 25-pin female



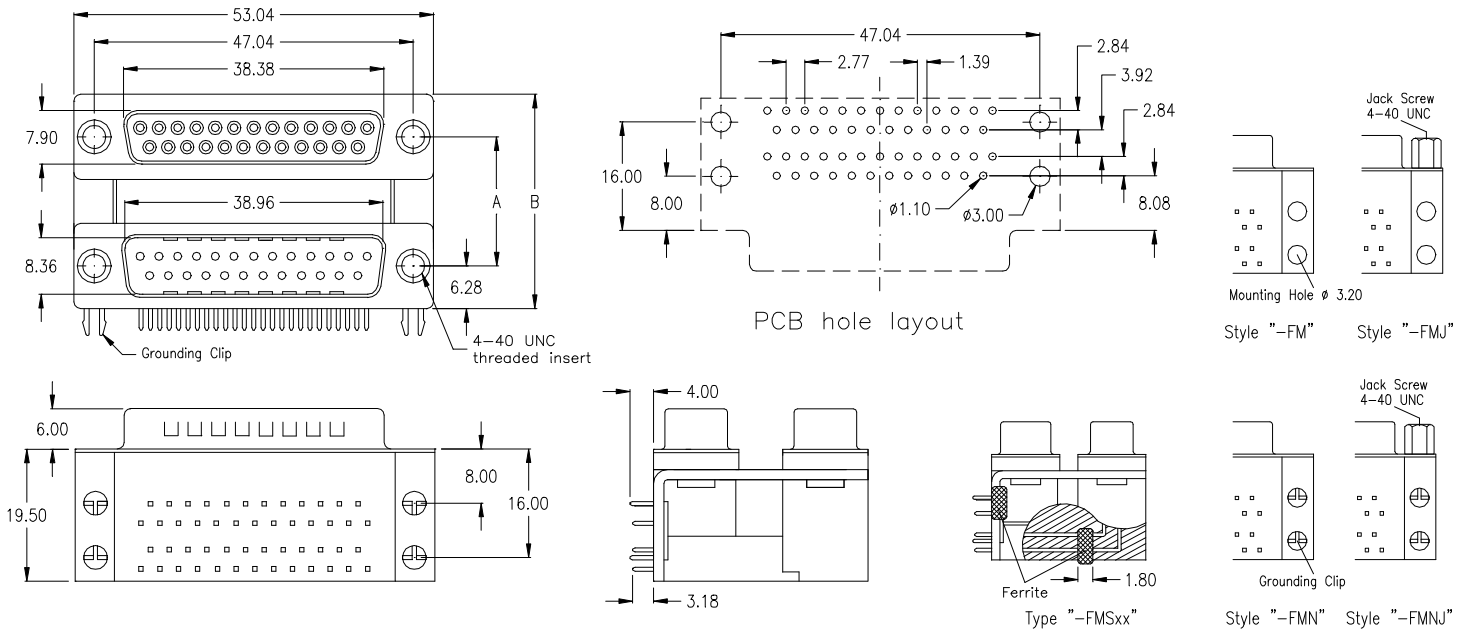
without grounding clips just 4 mounting holes	without grounding clips, just 4 mounting holes; 4 jack screws 4-40 UNC mounted	with 4 grounding clips (as above drawing)	with 4 grounding clips; 4 jack screws 4-40 UNC mounted	Distance Dimensions	
SDD-2525-1-95-F	SDD-2525-1-95-FJ	SDD-2525-1-95-FN	SDD-2525-1-95-FNJ	„A“ = 22.86	„B“ = 35.41
SDD-2525-2-95-F	SDD-2525-2-95-FJ	SDD-2525-2-95-FN	SDD-2525-2-95-FNJ	„A“ = 19.05	„B“ = 31.60
SDD-2525-3-95-F	SDD-2525-3-95-FJ	SDD-2525-3-95-FN	SDD-2525-3-95-FNJ	„A“ = 15.87	„B“ = 28.42
if with Ferrite Filter: -FS	if with Ferrite Filter: -FSJ	if with Ferrite Filter: -FSN	if with Ferrite Filter: -FSNJ		

25-pin male / 25-pin male



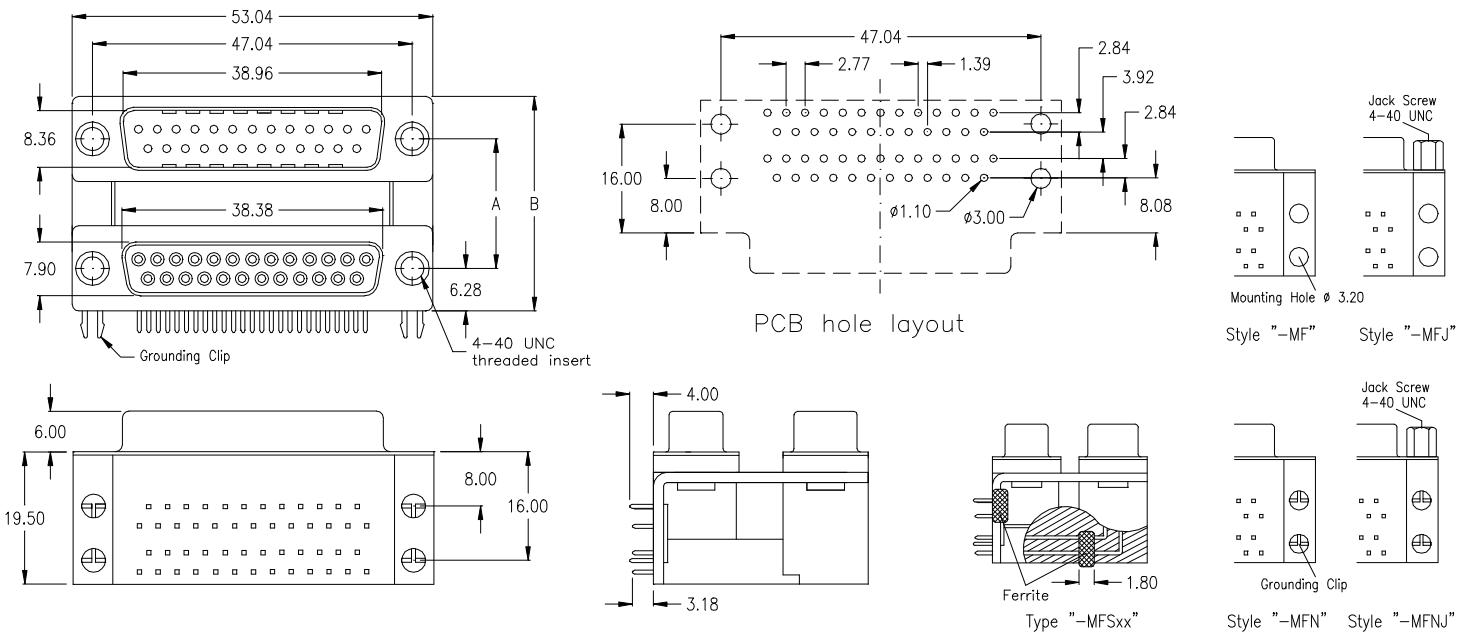
without grounding clips just 4 mounting holes	without grounding clips, just 4 mounting holes; 4 jack screws 4-40 UNC mounted	with 4 grounding clips (as above drawing)	with 4 grounding clips; 4 jack screws 4-40 UNC mounted	Distance Dimensions	
SDD-2525-1-95-M	SDD-2525-1-95-MJ	SDD-2525-1-95-MN	SDD-2525-1-95-MNJ	„A“ = 22.86	„B“ = 35.41
SDD-2525-2-95-M	SDD-2525-2-95-MJ	SDD-2525-2-95-MN	SDD-2525-2-95-MNJ	„A“ = 19.05	„B“ = 31.60
SDD-2525-3-95-M	SDD-2525-3-95-MJ	SDD-2525-3-95-MN	SDD-2525-3-95-MNJ	„A“ = 15.87	„B“ = 28.42
if with Ferrite Filter: -MS	if with Ferrite Filter: -MSJ	if with Ferrite Filter: -MSN	if with Ferrite Filter: -MSNJ		

25-pin female / 25-pin male



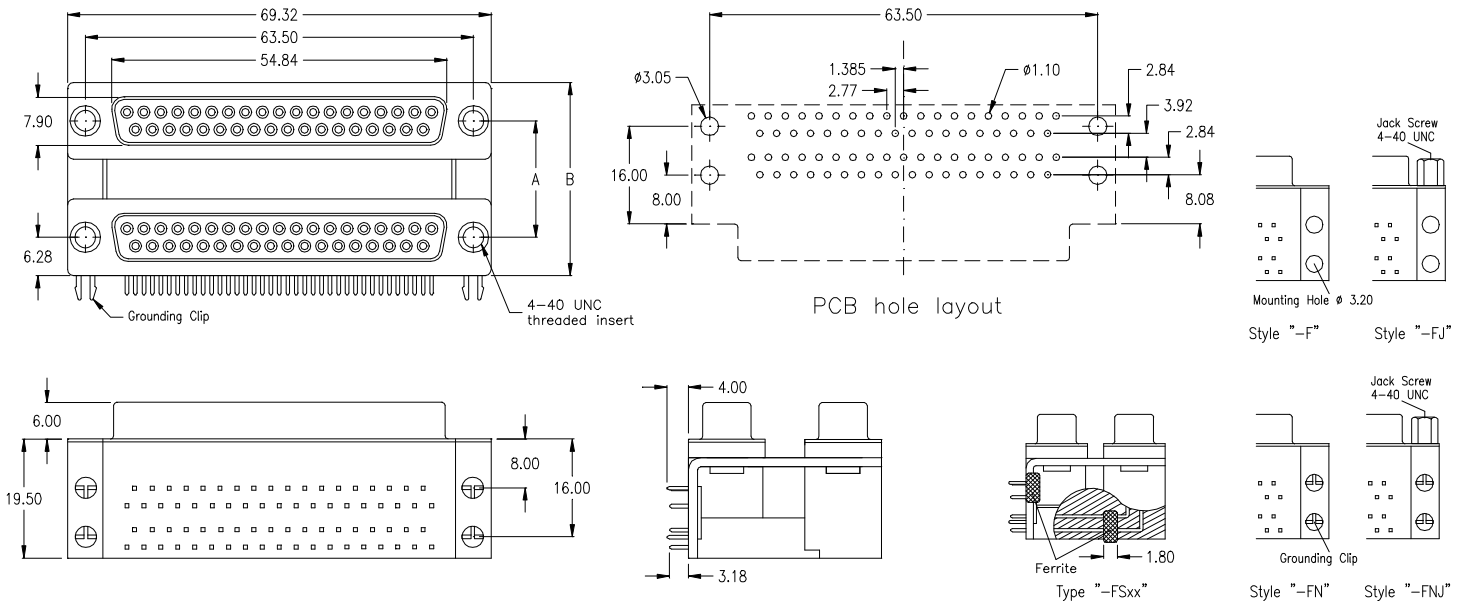
without grounding clips just 4 mounting holes	without grounding clips, just 4 mounting holes; 4 jack screws 4-40 UNC mounted	with 4 grounding clips (as above drawing)	with 4 grounding clips; 4 jack screws 4-40 UNC mounted	Distance Dimensions
SDD-2525-1-95-FM	SDD-2525-1-95-FMJ	SDD-2525-1-95-FMN	SDD-2525-1-95-FMNJ	„A“ = 22.86 „B“ = 35.41
SDD-2525-2-95-FM	SDD-2525-2-95-FMJ	SDD-2525-2-95-FMN	SDD-2525-2-95-FMNJ	„A“ = 19.05 „B“ = 31.60
SDD-2525-3-95-FM	SDD-2525-3-95-FMJ	SDD-2525-3-95-FMN	SDD-2525-3-95-FMNJ	„A“ = 15.87 „B“ = 28.42
if with Ferrite Filter: -FMS	if with Ferrite Filter: -FMSJ	if with Ferrite Filter: -FMSN	if with Ferrite Filter: -FMSNJ	

25-pin male / 25-pin female



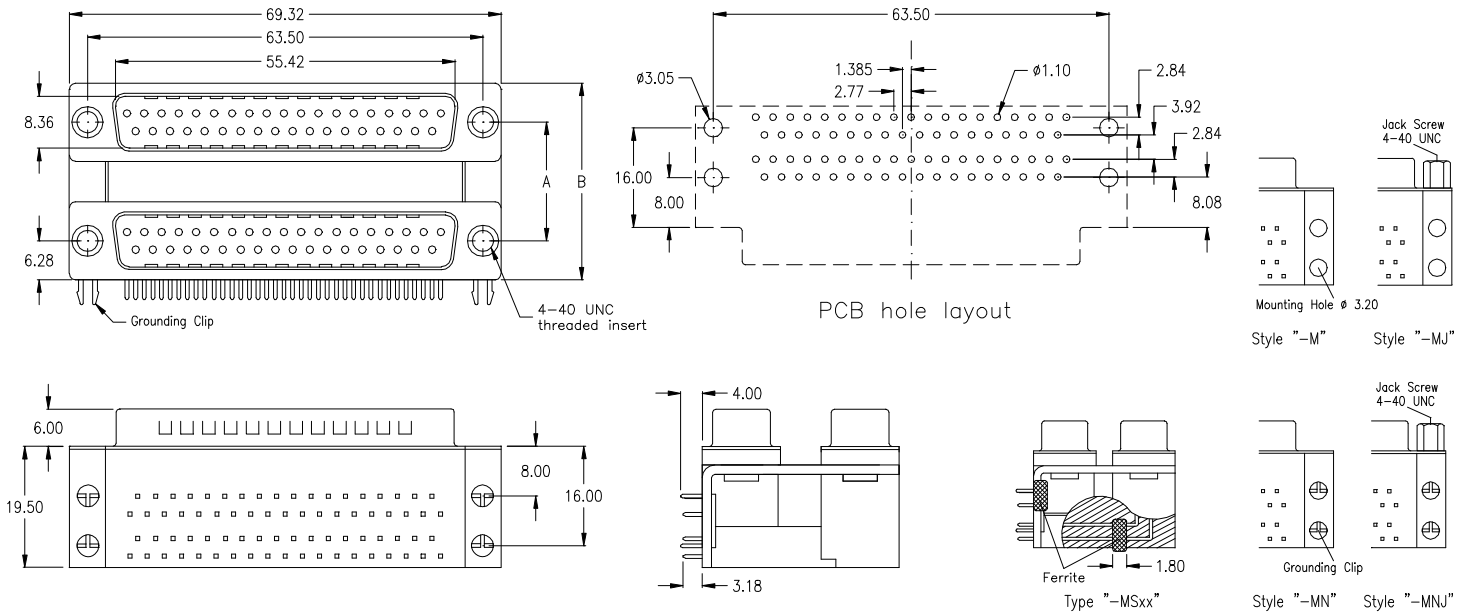
without grounding clips just 4 mounting holes	without grounding clips, just 4 mounting holes; 4 jack screws 4-40 UNC mounted	with 4 grounding clips (as above drawing)	with 4 grounding clips; 4 jack screws 4-40 UNC mounted	Distance Dimensions
SDD-2525-1-95-MF	SDD-2525-1-95-MFJ	SDD-2525-1-95-MFN	SDD-2525-1-95-MFNJ	„A“ = 22.86 „B“ = 35.41
SDD-2525-2-95-MF	SDD-2525-2-95-MFJ	SDD-2525-2-95-MFN	SDD-2525-2-95-MFNJ	„A“ = 19.05 „B“ = 31.60
SDD-2525-3-95-MF	SDD-2525-3-95-MFJ	SDD-2525-3-95-MFN	SDD-2525-3-95-MFNJ	„A“ = 15.87 „B“ = 28.42
if with Ferrite Filter: -MFS	if with Ferrite Filter: -MFSJ	if with Ferrite Filter: -MFSN	if with Ferrite Filter: -MFSNJ	

37-pin female / 37-pin female



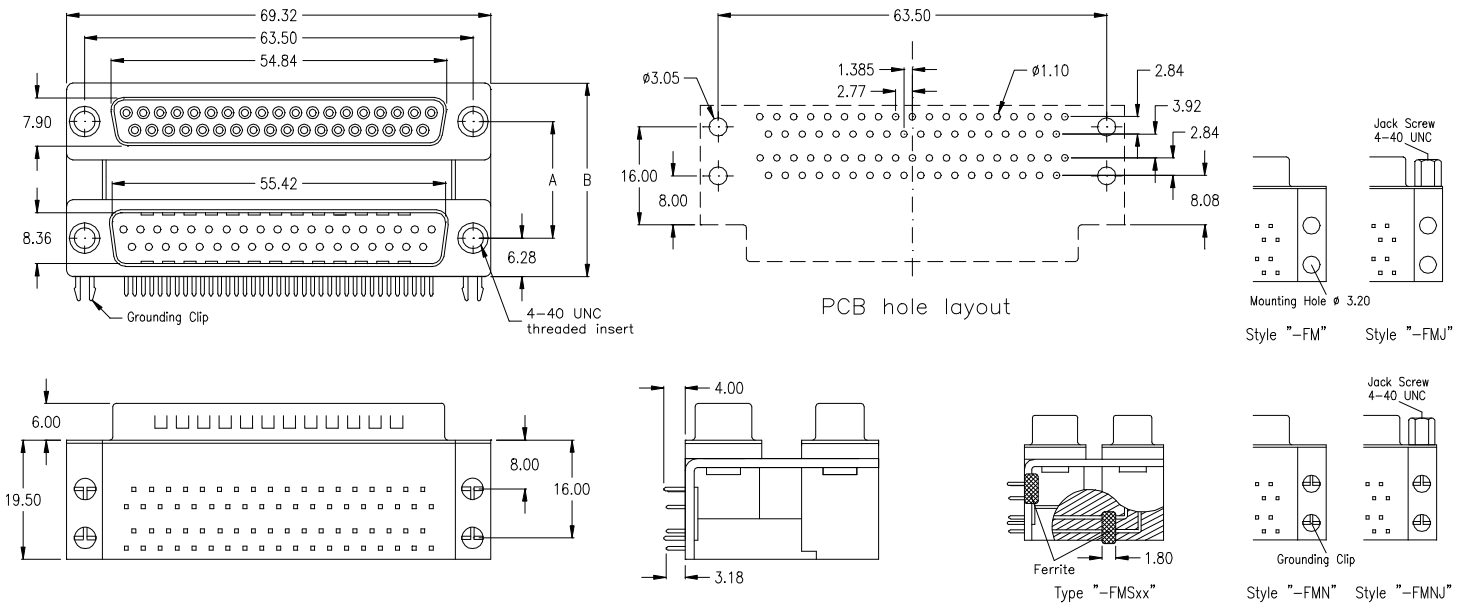
without grounding clips just 4 mounting holes	without grounding clips, just 4 mounting holes; 4 jack screws 4-40 UNC mounted	with 4 grounding clips (as above drawing)	with 4 grounding clips; 4 jack screws 4-40 UNC mounted	Distance Dimensions	
SDD-3737-1-95-F	SDD-3737-1-95-FJ	SDD-3737-1-95-FN	SDD-3737-1-95-FNJ	„A“ = 22.86	„B“ = 35.41
SDD-3737-2-95-F	SDD-3737-2-95-FJ	SDD-3737-2-95-FN	SDD-3737-2-95-FNJ	„A“ = 19.05	„B“ = 31.60
SDD-3737-3-95-F	SDD-3737-3-95-FJ	SDD-3737-3-95-FN	SDD-3737-3-95-FNJ	„A“ = 15.87	„B“ = 28.42
if with Ferrite Filter: -FS	if with Ferrite Filter: -FSJ	if with Ferrite Filter: -FSN	if with Ferrite Filter: -FSNJ		

37-pin male / 37-pin male



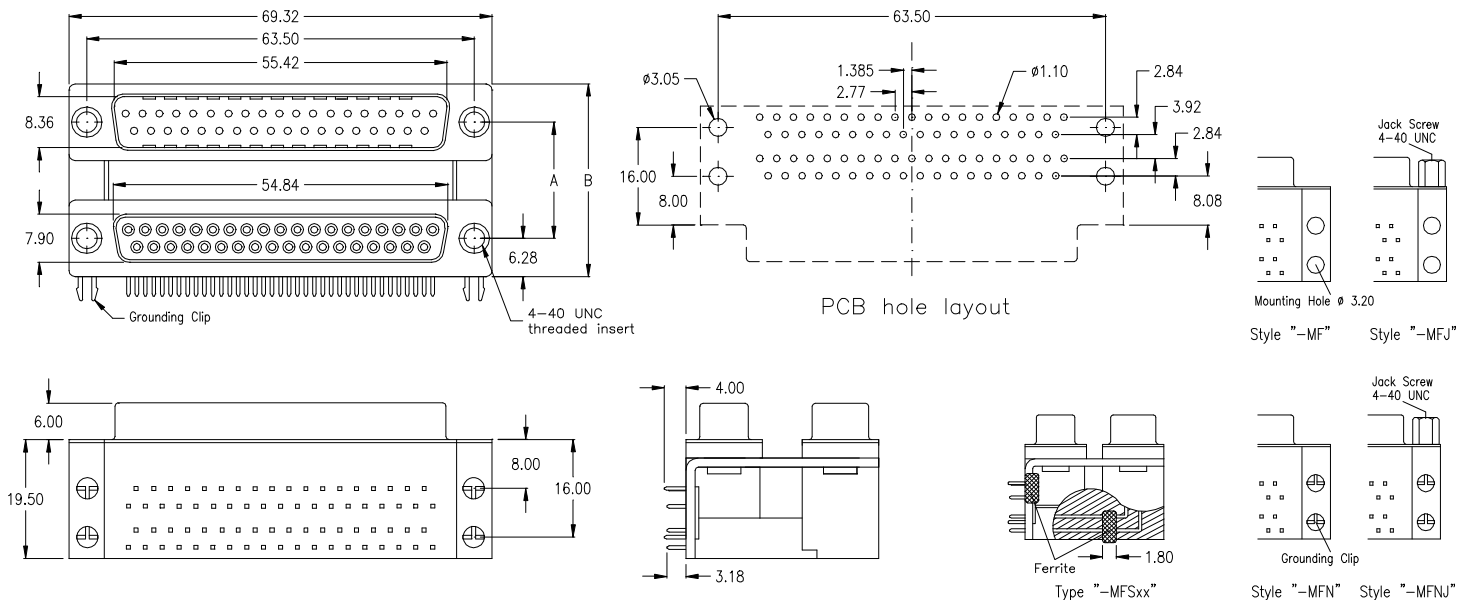
without grounding clips just 4 mounting holes	without grounding clips, just 4 mounting holes; 4 jack screws 4-40 UNC mounted	with 4 grounding clips (as above drawing)	with 4 grounding clips; 4 jack screws 4-40 UNC mounted	Distance Dimensions	
SDD-3737-1-95-M	SDD-3737-1-95-MJ	SDD-3737-1-95-MN	SDD-3737-1-95-MNJ	„A“ = 22.86	„B“ = 35.41
SDD-3737-2-95-M	SDD-3737-2-95-MJ	SDD-3737-2-95-MN	SDD-3737-2-95-MNJ	„A“ = 19.05	„B“ = 31.60
SDD-3737-3-95-M	SDD-3737-3-95-MJ	SDD-3737-3-95-MN	SDD-3737-3-95-MNJ	„A“ = 15.87	„B“ = 28.42
if with Ferrite Filter: -MS	if with Ferrite Filter: -MSJ	if with Ferrite Filter: -MSN	if with Ferrite Filter: -MSNJ		

37-pin female / 37-pin male



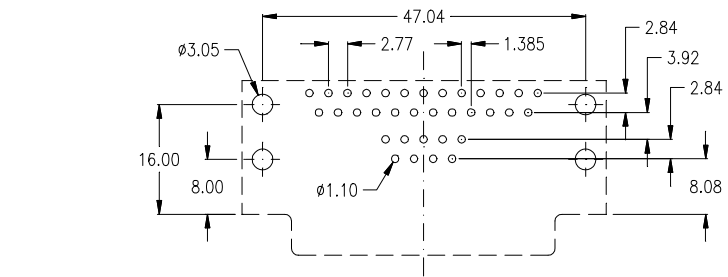
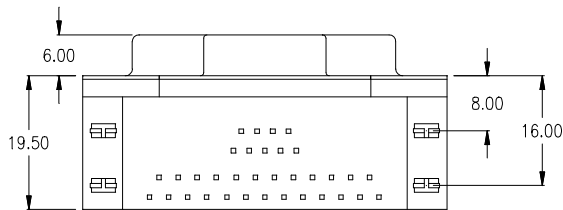
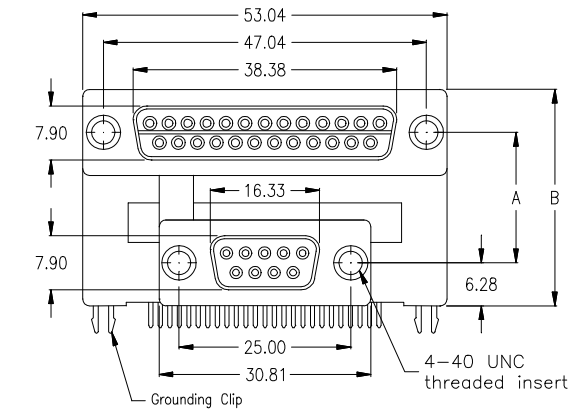
without grounding clips just 4 mounting holes	without grounding clips, just 4 mounting holes; 4 jack screws 4-40 UNC mounted	with 4 grounding clips (as above drawing)	with 4 grounding clips; 4 jack screws 4-40 UNC mounted	Distance Dimensions	
SDD-3737-1-95-FM	SDD-3737-1-95-FMJ	SDD-3737-1-95-FMN	SDD-3737-1-95-FMNJ	„A“ = 22.86	„B“ = 35.41
SDD-3737-2-95-FM	SDD-3737-2-95-FMJ	SDD-3737-2-95-FMN	SDD-3737-2-95-FMNJ	„A“ = 19.05	„B“ = 31.60
SDD-3737-3-95-FM	SDD-3737-3-95-FMJ	SDD-3737-3-95-FMN	SDD-3737-3-95-FMNJ	„A“ = 15.87	„B“ = 28.42
if with Ferrite Filter: -FMS	if with Ferrite Filter: -FMSJ	if with Ferrite Filter: -FMSN	if with Ferrite Filter: -FMSNJ		

37-pin male / 37-pin female

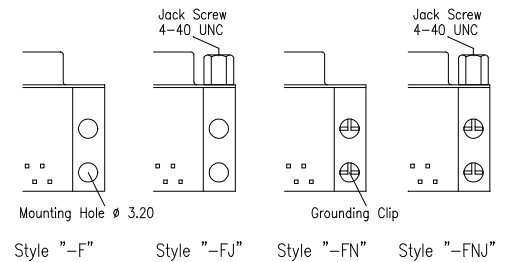
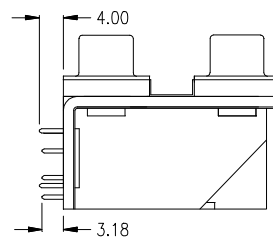


without grounding clips just 4 mounting holes	without grounding clips, just 4 mounting holes; 4 jack screws 4-40 UNC mounted	with 4 grounding clips (as above drawing)	with 4 grounding clips; 4 jack screws 4-40 UNC mounted	Distance Dimensions	
SDD-3737-1-95-MF	SDD-3737-1-95-MFJ	SDD-3737-1-95-MFN	SDD-3737-1-95-MFNJ	„A“ = 22.86	„B“ = 35.41
SDD-3737-2-95-MF	SDD-3737-2-95-MFJ	SDD-3737-2-95-MFN	SDD-3737-2-95-MFNJ	„A“ = 19.05	„B“ = 31.60
SDD-3737-3-95-MF	SDD-3737-3-95-MFJ	SDD-3737-3-95-MFN	SDD-3737-3-95-MFNJ	„A“ = 15.87	„B“ = 28.42
if with Ferrite Filter: -MFS	if with Ferrite Filter: -MFSJ	if with Ferrite Filter: -MFSN	if with Ferrite Filter: -MFSNJ		

25-pin female / 9-pin female

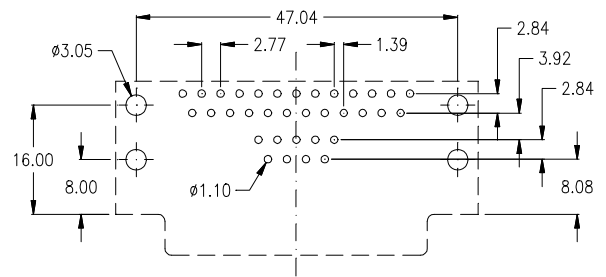
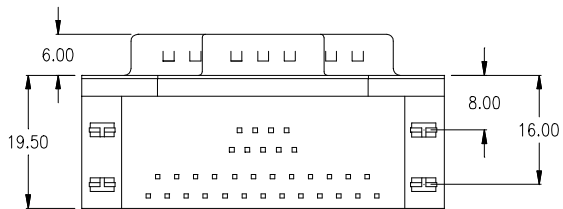
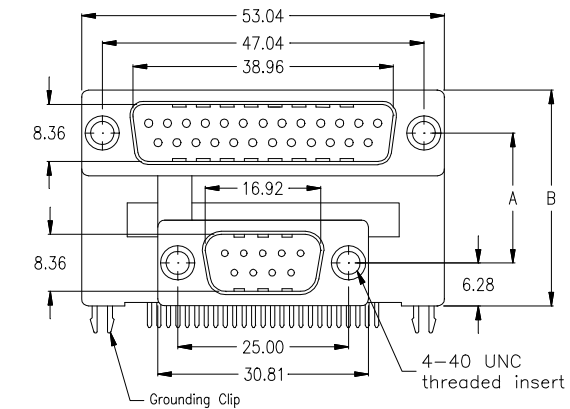


PCB hole layout

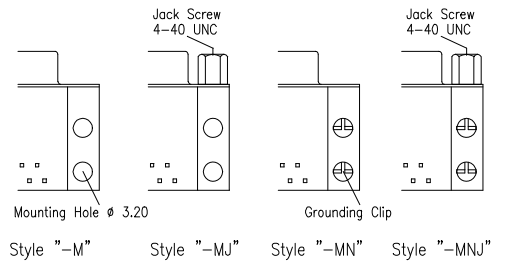
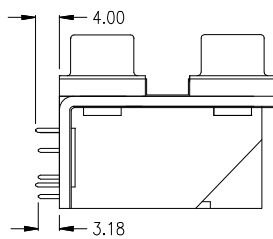


without grounding clips just 4 mounting holes	without grounding clips, just 4 mounting holes; 4 jack screws 4-40 UNC mounted	with 4 grounding clips (as above drawing)	with 4 grounding clips; 4 jack screws 4-40 UNC mounted	Distance Dimensions	
SDD-2509-2-95-F	SDD-2509-2-95-FJ	SDD-2509-2-95-FN	SDD-2509-2-95-FNJ	„A“ = 19.05	„B“ = 31.60

25-pin male / 9-pin male

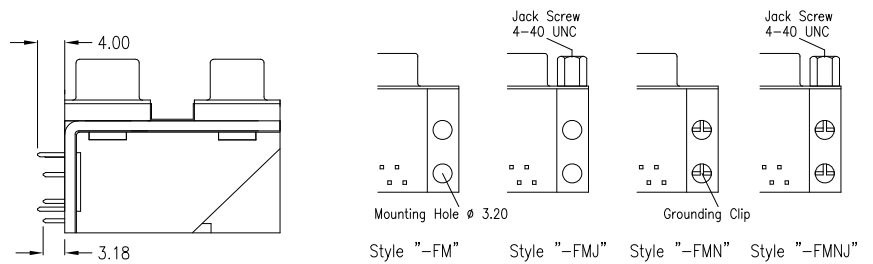
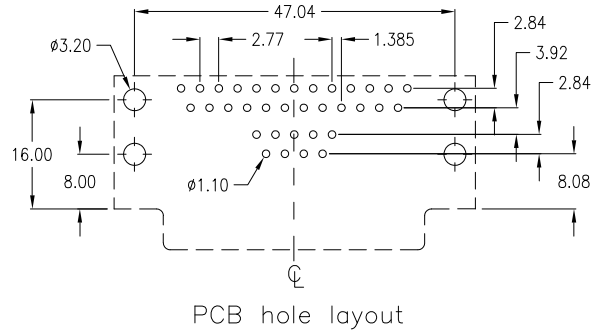
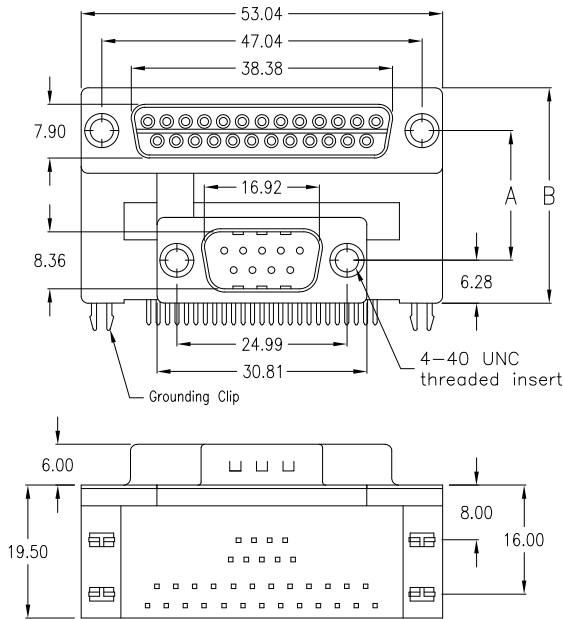


PCB hole layout



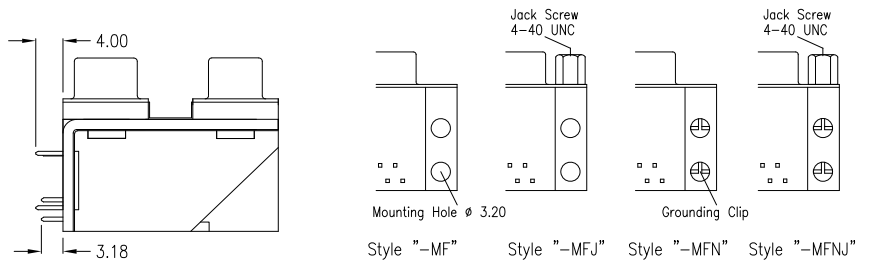
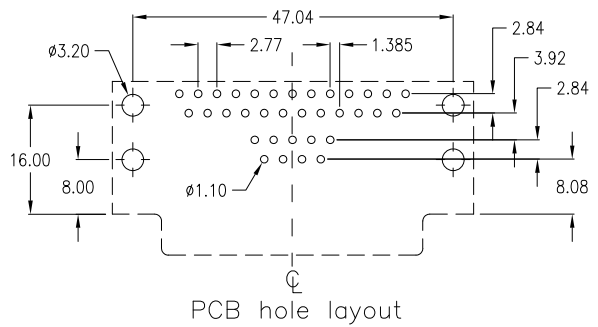
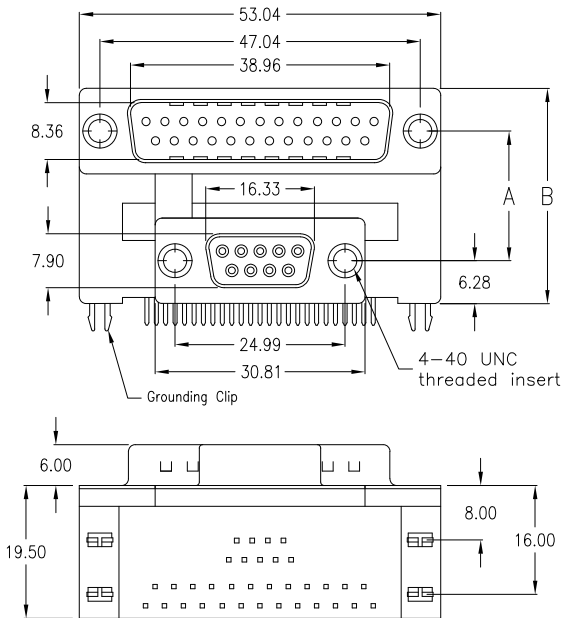
without grounding clips just 4 mounting holes	without grounding clips, just 4 mounting holes; 4 jack screws 4-40 UNC mounted	with 4 grounding clips (as above drawing)	with 4 grounding clips; 4 jack screws 4-40 UNC mounted	Distance Dimensions	
SDD-2509-2-95-M	SDD-2509-2-95-MJ	SDD-2509-2-95-MN	SDD-2509-2-95-MNJ	„A“ = 19.05	„B“ = 31.60

25-pin female / 9-pin male



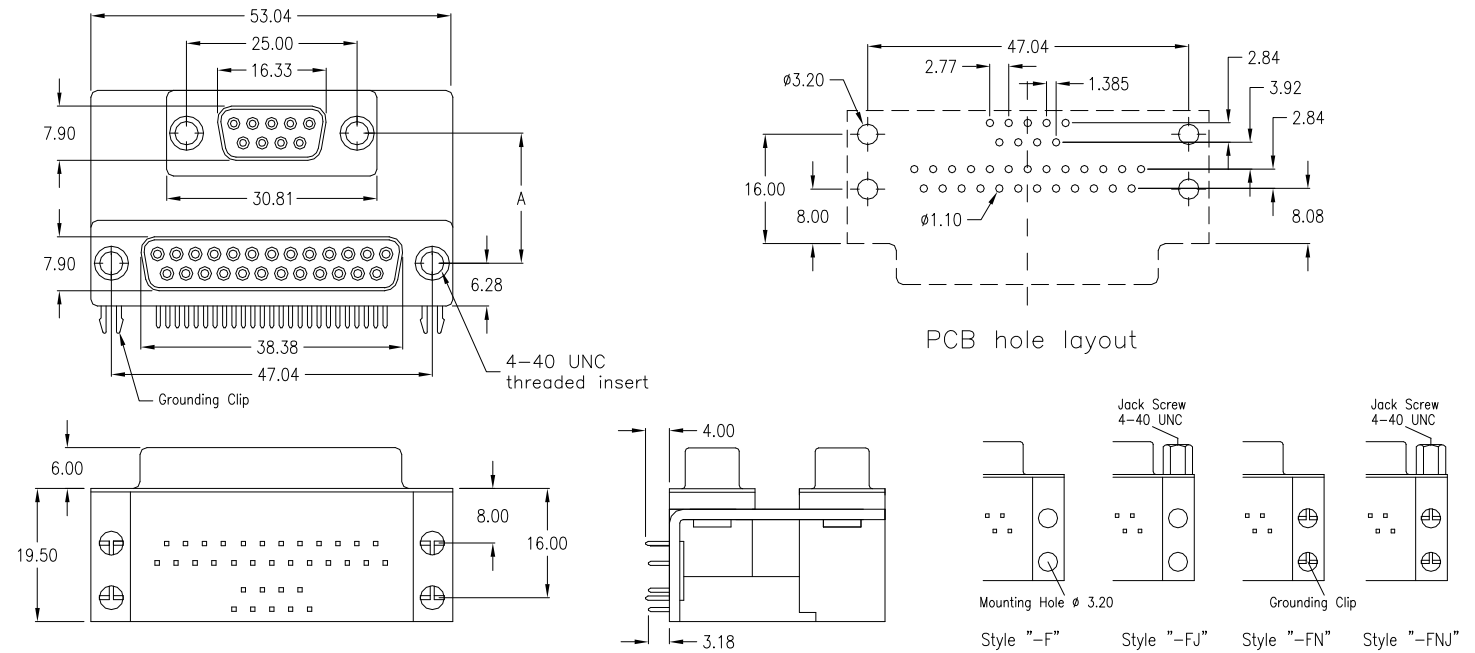
without grounding clips just 4 mounting holes	without grounding clips, just 4 mounting holes; 4 jack screws 4-40 UNC mounted	with 4 grounding clips (as above drawing)	with 4 grounding clips; 4 jack screws 4-40 UNC mounted	Distance Dimensions (mm)	
SDD-2509-2-95-FM	SDD-2509-2-95-FMJ	SDD-2509-2-95-FMN	SDD-2509-2-95-FMNJ	„A“ = 19.05	„B“ = 31.60

25-pin male / 9-pin female



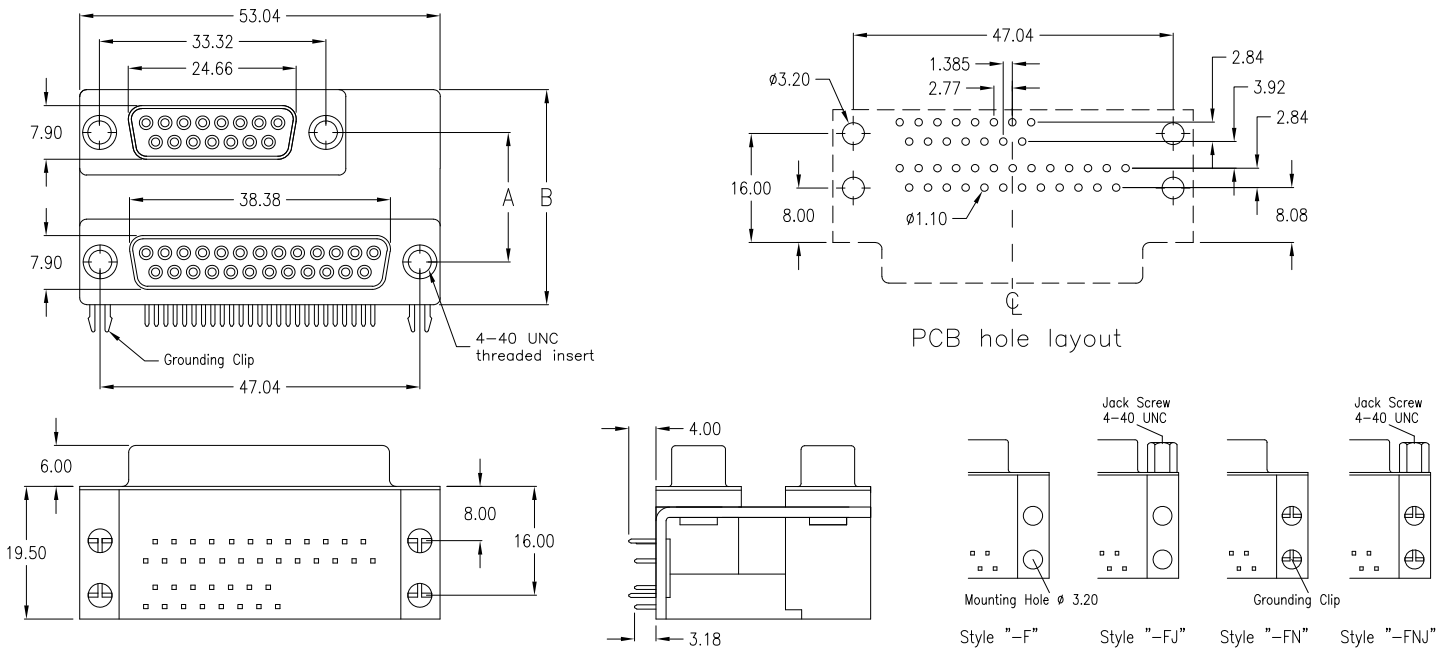
without grounding clips just 4 mounting holes	without grounding clips, just 4 mounting holes; 4 jack screws 4-40 UNC mounted	with 4 grounding clips (as above drawing)	with 4 grounding clips; 4 jack screws 4-40 UNC mounted	Distance Dimensions (mm)	
SDD-2509-2-95-MF	SDD-2509-2-95-MFJ	SDD-2509-2-95-MFN	SDD-2509-2-95-MFNJ	„A“ = 19.05	„B“ = 31.60

9-pin female / 25-pin female



without grounding clips just 4 mounting holes	without grounding clips, just 4 mounting holes; 4 jack screws 4-40 UNC mounted	with 4 grounding clips (as above drawing)	with 4 grounding clips; 4 jack screws 4-40 UNC mounted	Distance Dimensions (mm)	
SDD-0925-2-95-F	SDD-0925-2-95-FJ	SDD-0925-2-95-FN	SDD-0925-2-95-FNJ	„A“ = 19.05	„B“ = 31.60
SDD-0925-3-95-F	SDD-0925-3-95-FJ	SDD-0925-3-95-FN	SDD-0925-3-95-FNJ	„A“ = 15.87	„B“ = 28.42

15-pin female left side / 25-pin female

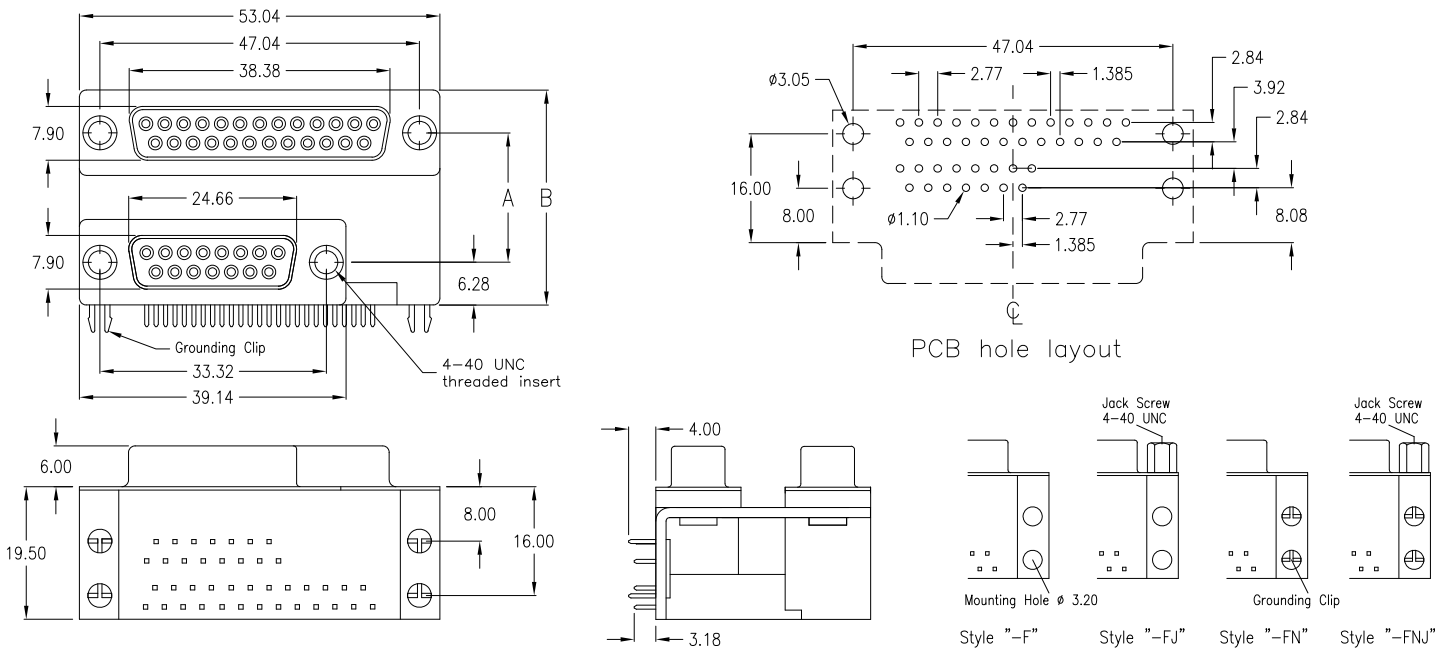


without grounding clips just 4 mounting holes	without grounding clips, just 4 mounting holes; 4 jack screws 4-40 UNC mounted	with 4 grounding clips (as above drawing)	with 4 grounding clips; 4 jack screws 4-40 UNC mounted	Distance Dimensions (mm)	
SDD-L1525-2-95-F	SDD-L1525-2-95-FJ	SDD-L1525-2-95-FN	SDD-L1525-2-95-FNJ	„A“ = 19.05	„B“ = 31.60

25-pin female / 15-pin female left side

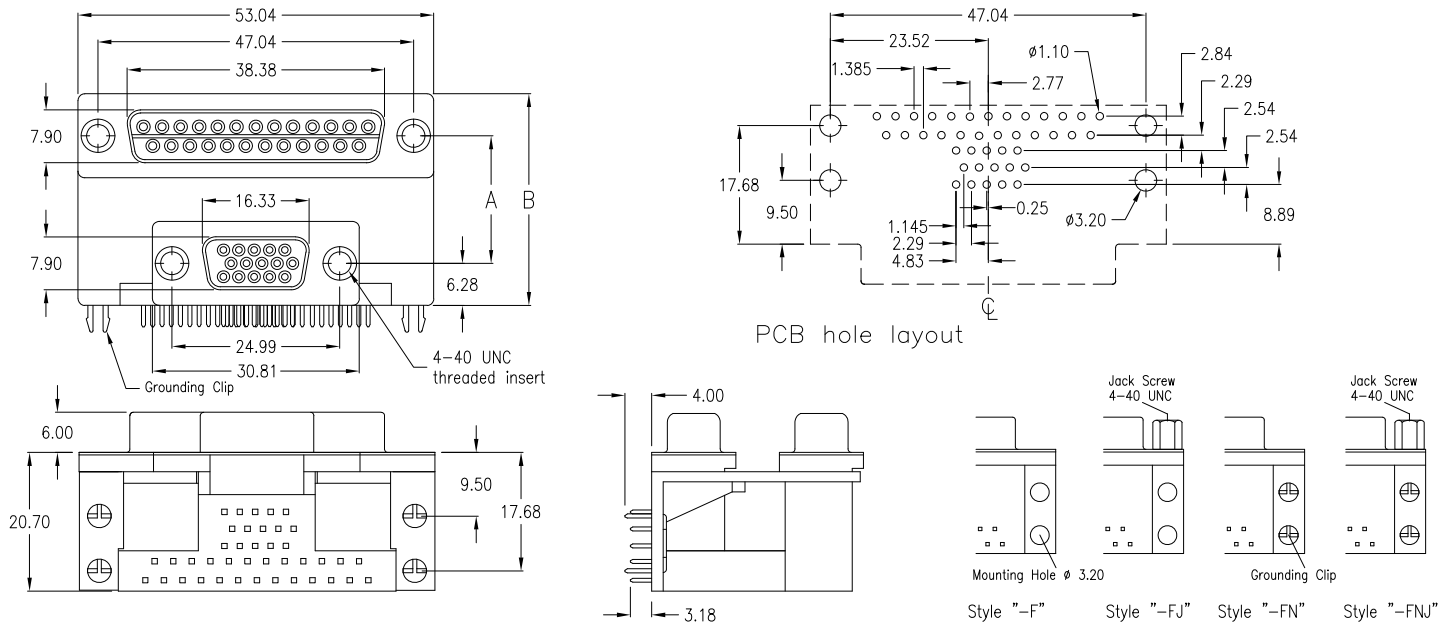
Special product.

Please ask for availability and minimum order quantity before you consider the article for development, design in or production purposes.



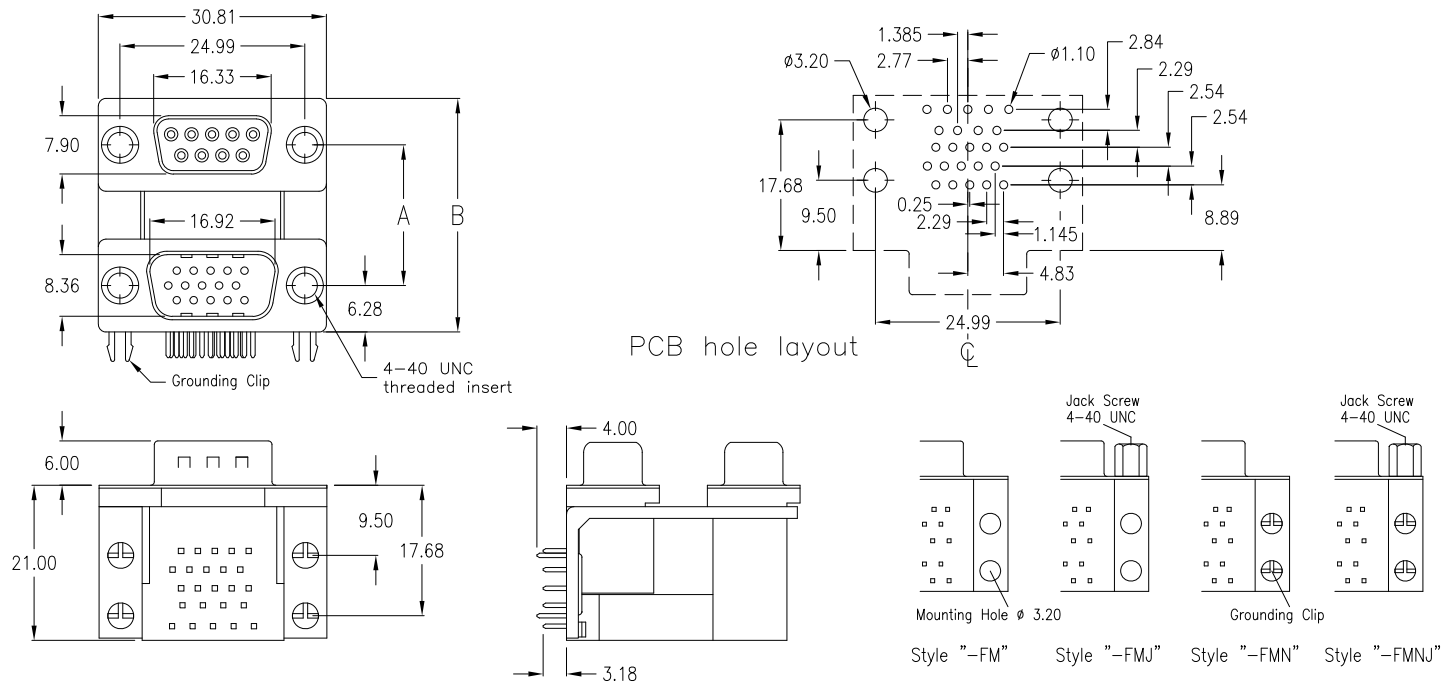
without grounding clips just 4 mounting holes	without grounding clips, just 4 mounting holes; 4 jack screws 4-40 UNC mounted	with 4 grounding clips (as above drawing)	with 4 grounding clips; 4 jack screws 4-40 UNC mounted	Distance Dimensions (mm)	
SDD-25L15-2-95-F	SDD-25L15-2-95-FJ	SDD-25L15-2-95-FN	SDD-25L15-2-95-FNJ	„A“ = 19.05	„B“ = 31.60

25-pin female / 15-pin HD female



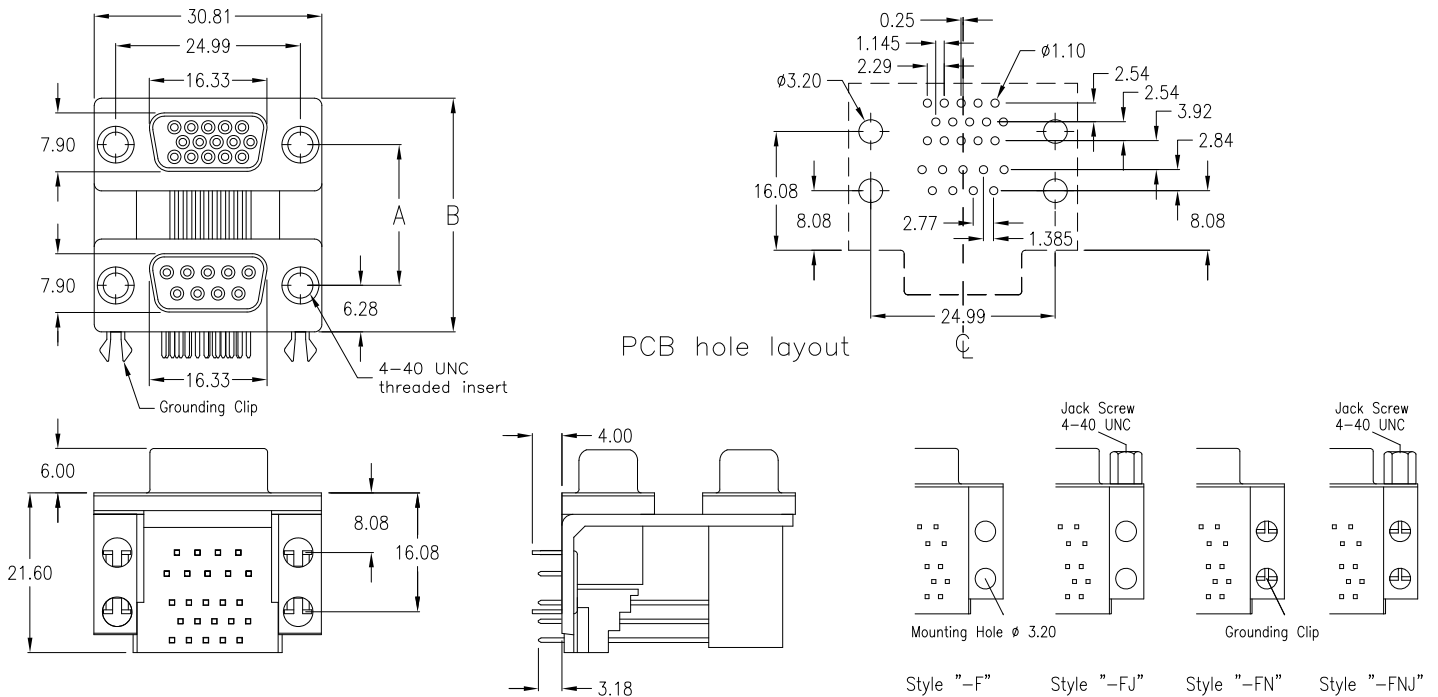
without grounding clips just 4 mounting holes	without grounding clips, just 4 mounting holes; 4 jack screws 4-40 UNC mounted	with 4 grounding clips (as above drawing)	with 4 grounding clips; 4 jack screws 4-40 UNC mounted	Distance Dimensions (mm)	
SDD-25H15-4-95-F	SDD-25H15-4-95-FJ	SDD-25H15-4-95-FN	SDD-25H15-4-95-FNJ	„A“ = 19.05	„B“ = 31.60

9-pin female / 15-pin HD male



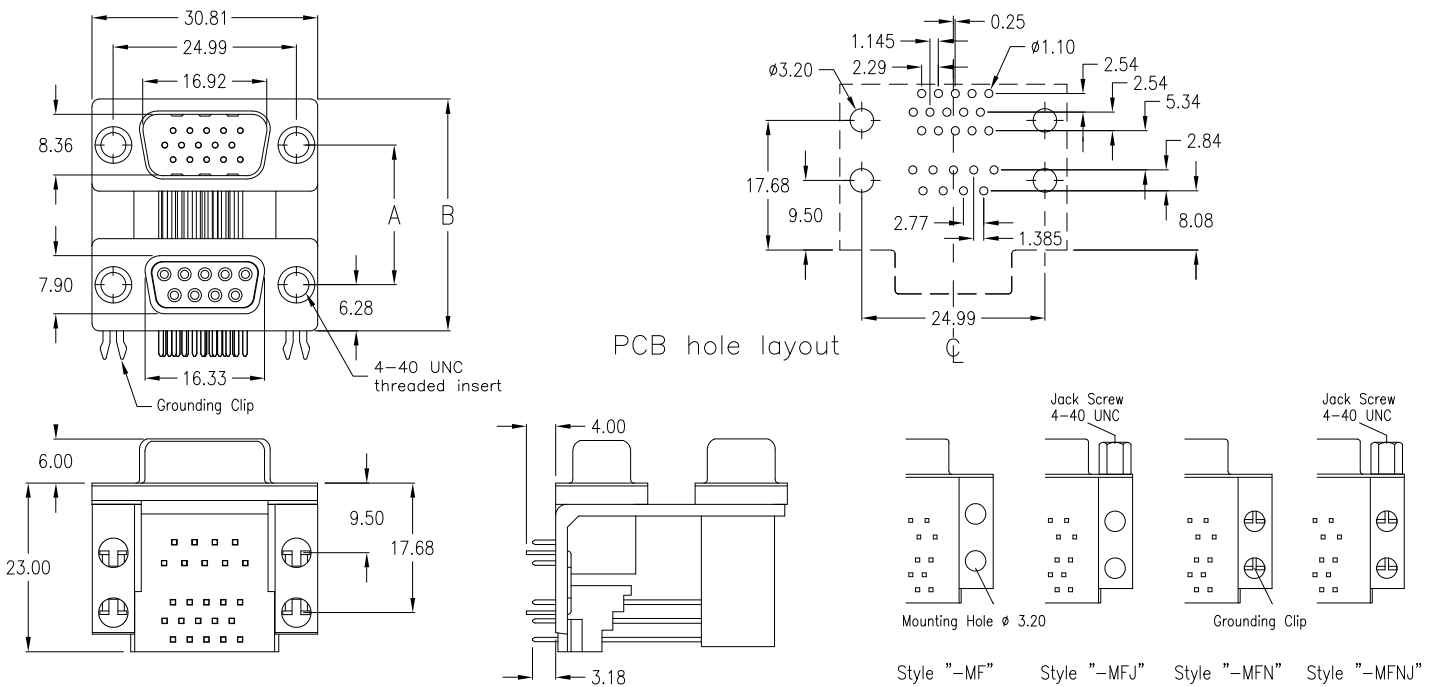
without grounding clips just 4 mounting holes	without grounding clips, just 4 mounting holes; 4 jack screws 4-40 UNC mounted	with 4 grounding clips (as above drawing)	with 4 grounding clips; 4 jack screws 4-40 UNC mounted	Distance Dimensions (mm)	
SDD-09H15-4-95-FM	SDD-09H15-4-95-FMJ	SDD-09H15-4-95-FMN	SDD-09H15-4-95-FMNJ	„A“ = 19.05	„B“ = 31.60

15-pin HD female / 09-pin female



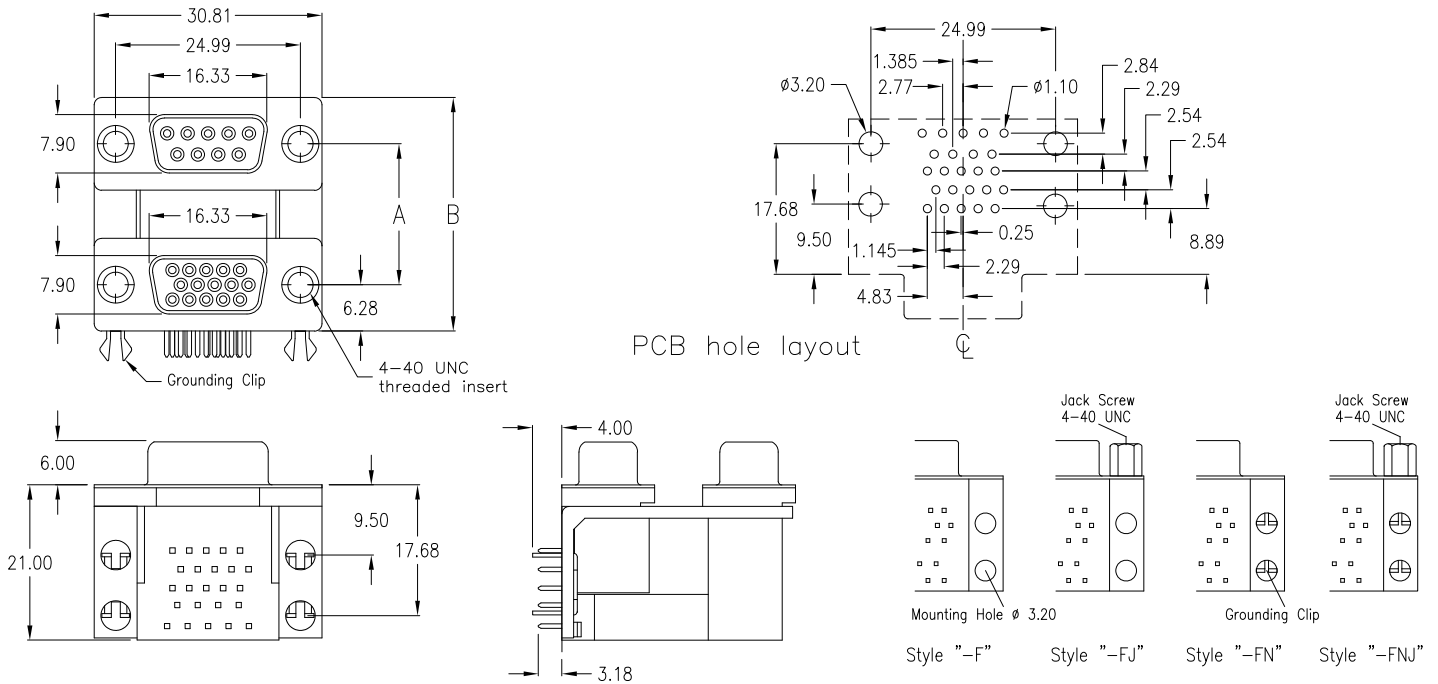
without grounding clips just 4 mounting holes	without grounding clips, just 4 mounting holes; 4 jack screws 4-40 UNC mounted	with 4 grounding clips (as above drawing)	with 4 grounding clips; 4 jack screws 4-40 UNC mounted	Distance Dimensions (mm)	
SDD-H1509-6-95-F	SDD-H1509-6-95-FJ	SDD-H1509-6-95-FN	SDD-H1509-6-95-FNJ	„A“ = 19.05	„B“ = 31.60

15-pin HD male / 09-pin female



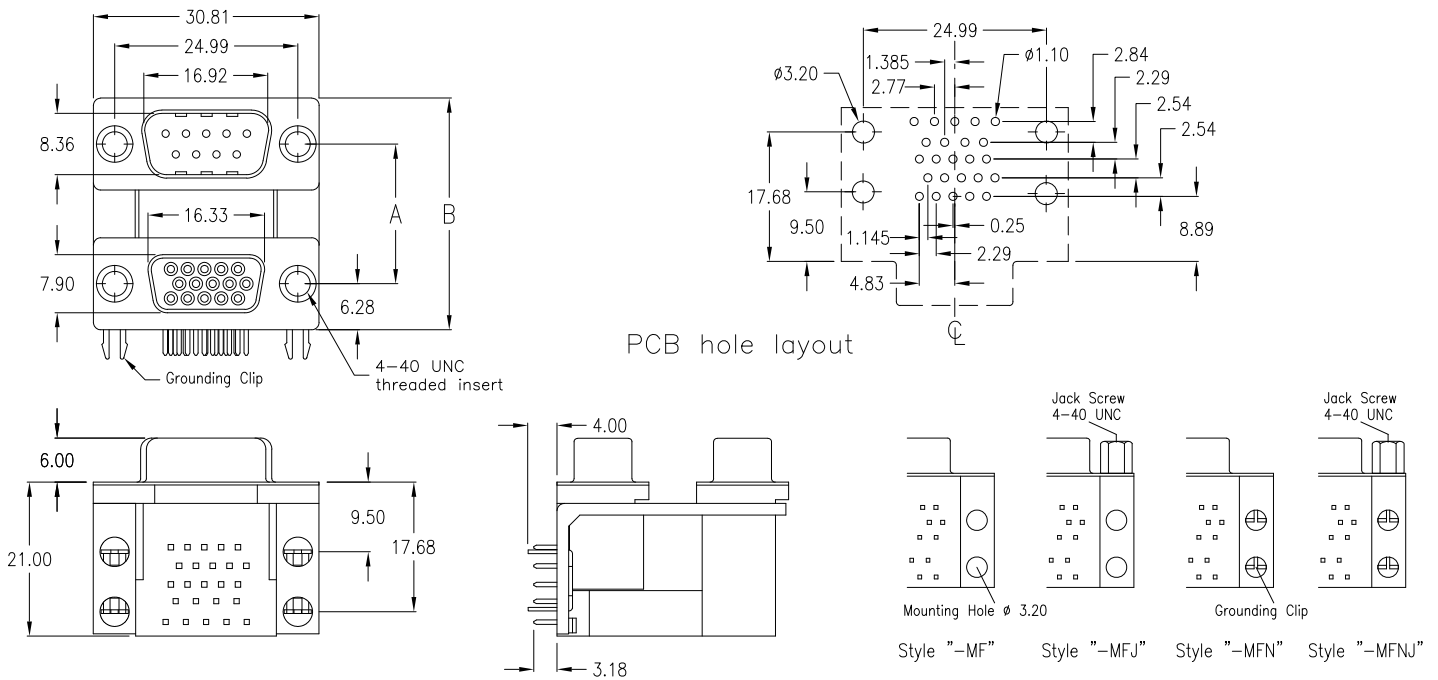
without grounding clips just 4 mounting holes	without grounding clips, just 4 mounting holes; 4 jack screws 4-40 UNC mounted	with 4 grounding clips (as above drawing)	with 4 grounding clips; 4 jack screws 4-40 UNC mounted	Distance Dimensions (mm)	
SDD-H1509-7-95-MF	SDD-H1509-7-95-MFJ	SDD-H1509-7-95-MFN	SDD-H1509-7-95-MFNJ	„A“ = 19.05	„B“ = 31.60

9-pin female / 15-pin HD female



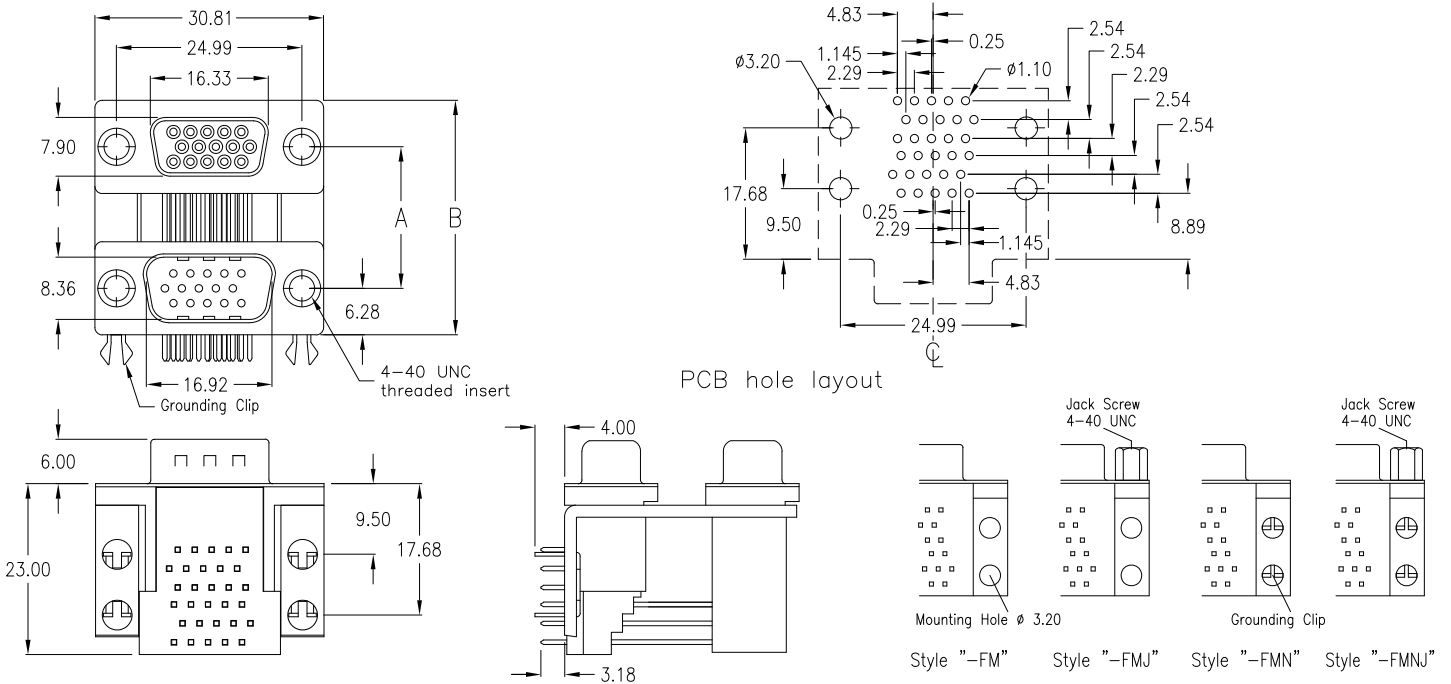
without grounding clips just 4 mounting holes	without grounding clips, just 4 mounting holes; 4 jack screws 4-40 UNC mounted	with 4 grounding clips (as above drawing)	with 4 grounding clips; 4 jack screws 4-40 UNC mounted	Distance Dimensions (mm)	
SDD-09H15-4-95-F	SDD-09H15-4-95-FJ	SDD-09H15-4-95-FN	SDD-09H15-4-95-FNJ	„A“ = 19.05	„B“ = 31.60
SDD-09H15-5-95-F	SDD-09H15-5-95-FJ	SDD-09H15-5-95-FN	SDD-09H15-5-95-FNJ	„A“ = 15.88	„B“ = 28.42

9-pin male / 15-pin HD female



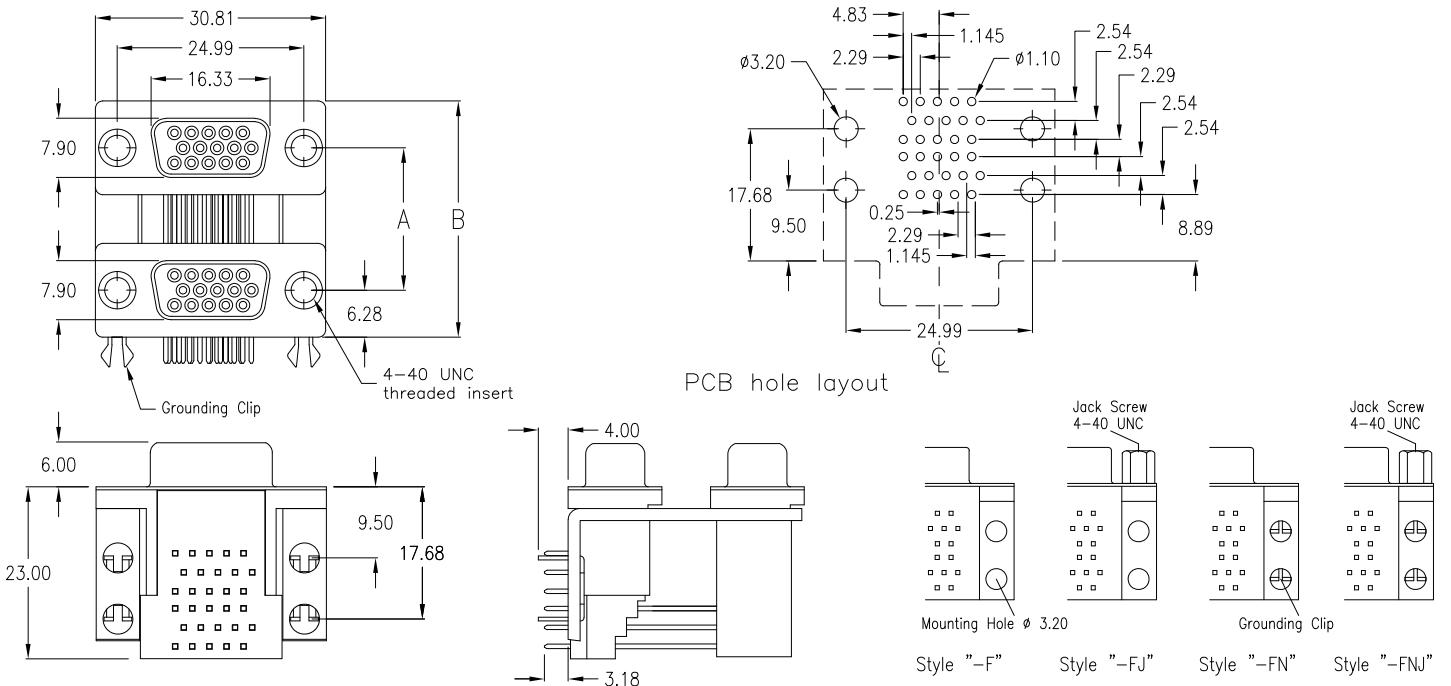
without grounding clips just 4 mounting holes	without grounding clips, just 4 mounting holes; 4 jack screws 4-40 UNC mounted	with 4 grounding clips (as above drawing)	with 4 grounding clips; 4 jack screws 4-40 UNC mounted	Distance Dimensions (mm)	
SDD-09H15-4-95-MF	SDD-09H15-4-95-MFJ	SDD-09H15-4-95-MFN	SDD-09H15-4-95-MFNJ	„A“ = 19.05	„B“ = 31.60
SDD-09H15-5-95-MF	SDD-09H15-5-95-MFJ	SDD-09H15-5-95-MFN	SDD-09H15-5-95-MFNJ	„A“ = 15.88	„B“ = 28.42

15-pin HD female / 15-pin HD male



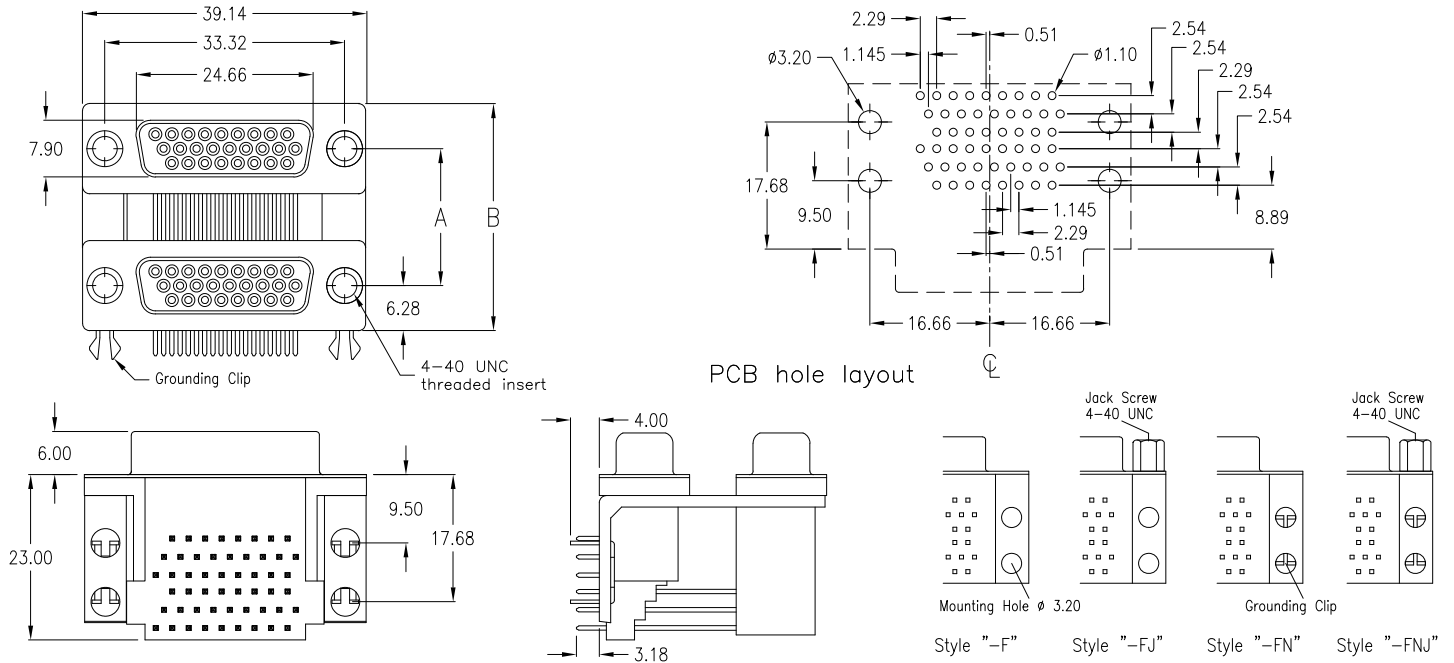
without grounding clips, just 4 mounting holes	without grounding clips, just 4 mounting holes; 4 jack screws 4-40 UNC mounted	with 4 grounding clips (as above drawing)	with 4 grounding clips; 4 jack screws 4-40 UNC mounted	Distance Dimensions (mm)	
SDD-H15H15-4-95-FM	SDD-H15H15-4-95-FMJ	SDD-H15H15-4-95-FMN	SDD-H15H15-4-95-FMNJ	„A“ = 19.05	„B“ = 31.60
SDD-H15H15-5-95-FM	SDD-H15H15-5-95-FMJ	SDD-H15H15-5-95-FMN	SDD-H15H15-5-95-FMNJ	„A“ = 15.88	„B“ = 28.42

15-pin HD female / 15-pin HD female



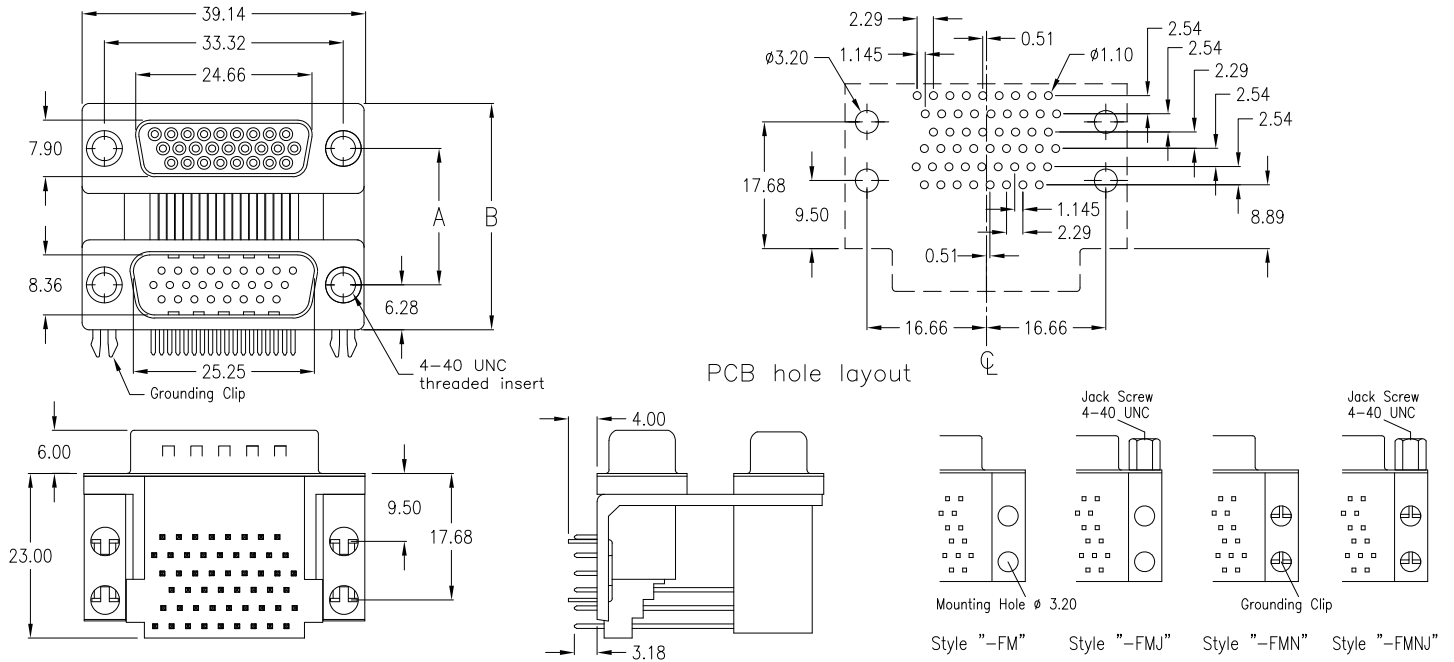
without grounding clips, just 4 mounting holes	without grounding clips, just 4 mounting holes; 4 jack screws 4-40 UNC mounted	with 4 grounding clips (as above drawing)	with 4 grounding clips; 4 jack screws 4-40 UNC mounted	Distance Dimensions (mm)	
SDD-H15H15-4-95-F	SDD-H15H15-4-95-FJ	SDD-H15H15-4-95-FN	SDD-H15H15-4-95-FNJ	„A“ = 19.05	„B“ = 31.60

26-pin HD female / 26-pin HD female



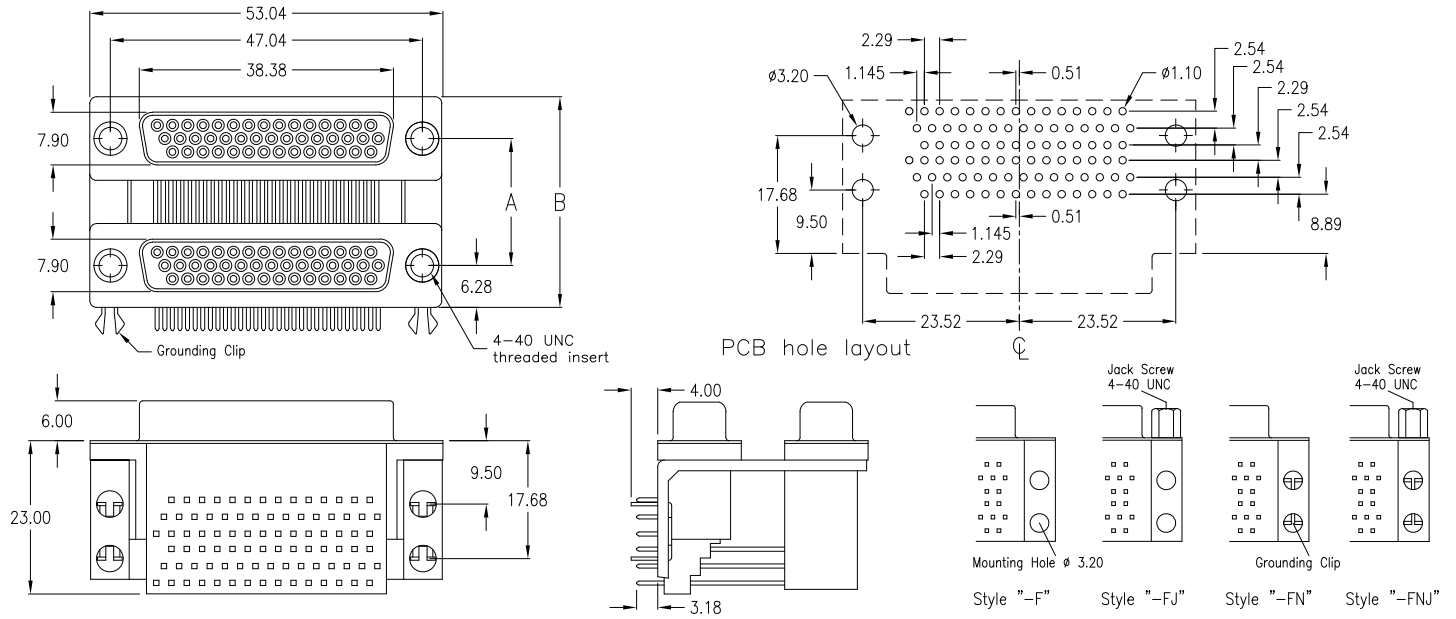
without grounding clips just 4 mounting holes	without grounding clips, just 4 mounting holes; 4 jack screws 4-40 UNC mounted	with 4 grounding clips (as above drawing)	with 4 grounding clips; 4 jack screws 4-40 UNC mounted	Distance Dimensions (mm)	
SDD-H26H26-4-95-F	SDD-H26H26-4-95-FJ	SDD-H26H26-4-95-FN	SDD-H26H26-4-95FNJ	„A“ = 19.05	„B“ = 31.60
SDD-H26H26-5-95-F	SDD-H26H26-5-95-FJ	SDD-H26H26-5-95-FN	SDD-H26H26-5-95FNJ	„A“ = 15.88	„B“ = 28.42

26-pin HD female / 26-pin HD male



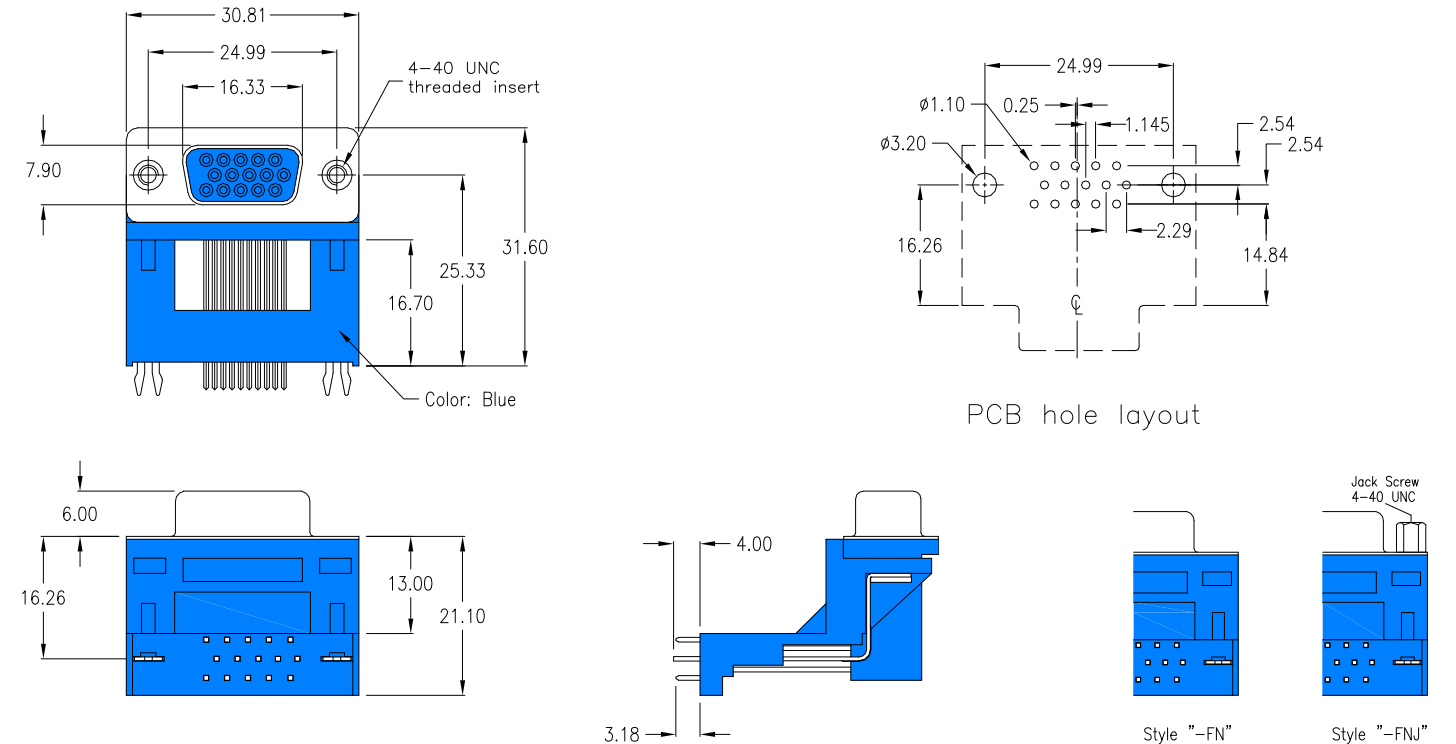
without grounding clips just 4 mounting holes	without grounding clips, just 4 mounting holes; 4 jack screws 4-40 UNC mounted	with 4 grounding clips (as above drawing)	with 4 grounding clips; 4 jack screws 4-40 UNC mounted	Distance Dimensions (mm)	
SDD-H26H26-4-95-FM	SDD-H26H26-4-95-FMJ	SDD-H26H26-4-95-FMN	SDD-H26H26-4-95FMNJ	„A“ = 19.05	„B“ = 31.60
SDD-H26H26-5-95-FM	SDD-H26H26-5-95-FMJ	SDD-H26H26-5-95-FMN	SDD-H26H26-5-95FMNJ	„A“ = 15.88	„B“ = 28.42

44-pin HD female / 44-pin HD female



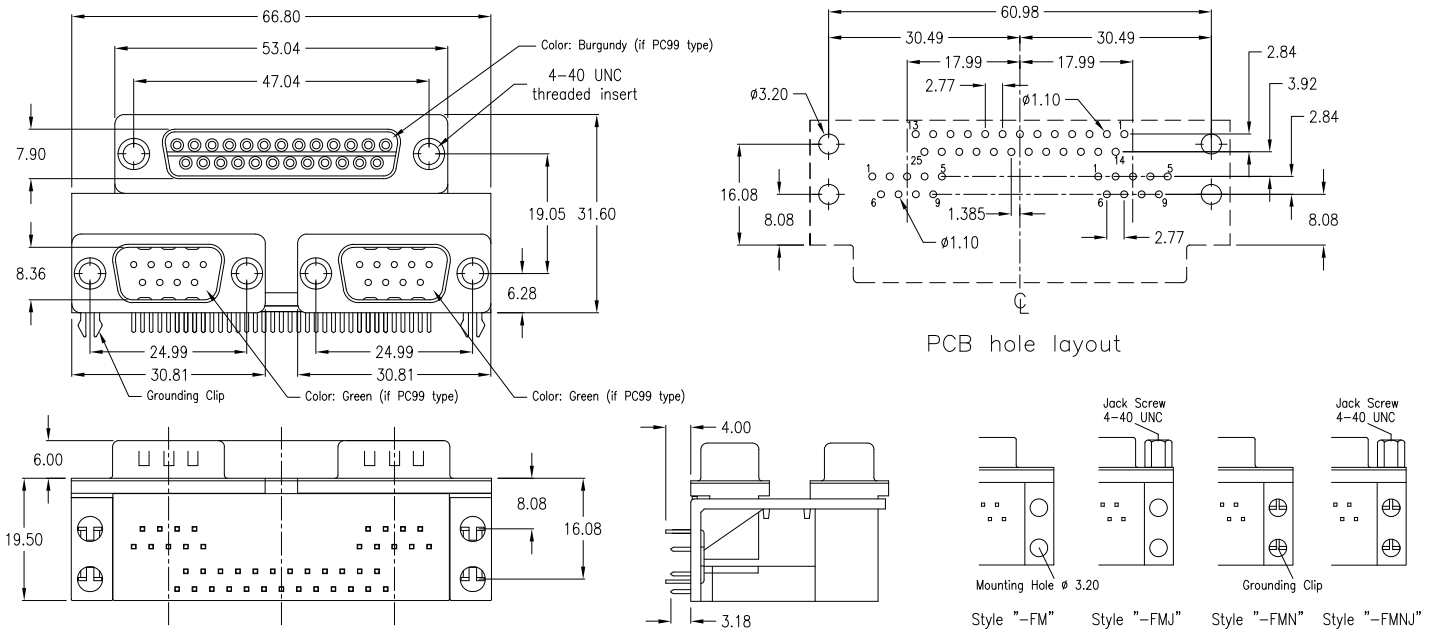
without grounding clips just 4 mounting holes	without grounding clips, just 4 mounting holes; 4 jack screws 4-40 UNC mounted	with 4 grounding clips (as above drawing)	with 4 grounding clips; 4 jack screws 4-40 UNC mounted	Distance Dimensions (mm)	
SDD-H44H44-4-95-F	SDD-H44H44-4-95-FJ	SDD-H44H44-4-95-FN	SDD-H44H44-4-95FNJ	„A“ = 19.05	„B“ = 31.60
SDD-H44H44-5-95-F	SDD-H44H44-5-95-FJ	SDD-H44H44-5-95-FN	SDD-H44H44-5-95FNJ	„A“ = 15.88	„B“ = 28.42

15-pin HD female raised



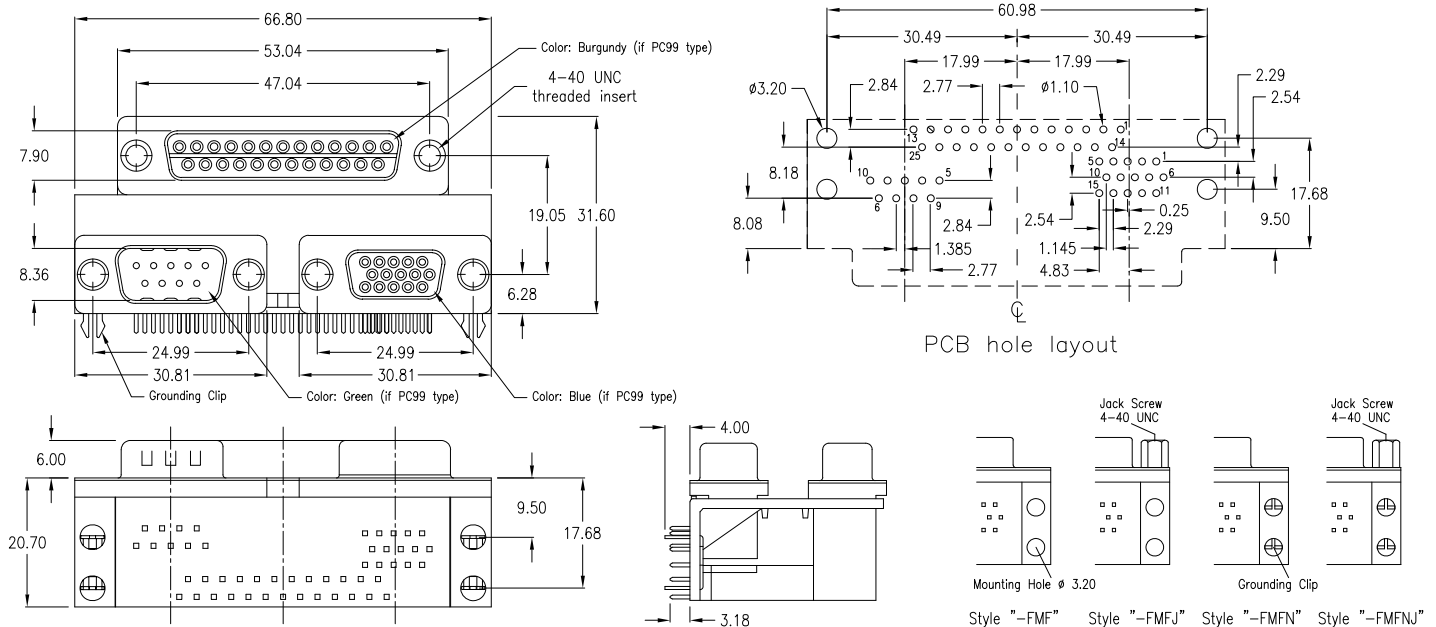
	with 2 grounding clips; w/o jack screws <i>Standard</i> (as above drawing)	with 2 grounding clips; 2 jack screws 4-40 UNC mounted <i>Option</i>	
	SDD-H1500-2-95-FN	SDD-H1500-2-95-FNJ	

25-pin female / 9-pin male / 9-pin male



Version	without grounding clips, just 4 mounting holes	without grounding clips, just 4 mounting holes; 6 jack screws 4-40 UNC mounted	with 4 grounding clips (as above drawing)	with 4 grounding clips; 6 jack screws 4-40 UNC mounted
Standard: black color Insulator	SDD-2599-2-95-FMM	SDD-2599-2-95-FMMJ	SDD-2599-2-95-FMMN	SDD-2599-2-95-FMMNJ
meets PC99 spec	SDP-2599-2-95-FMM	SDP-2599-2-95-FMMJ	SDP-2599-2-95-FMMN	SDP-2599-2-95-FMMNJ

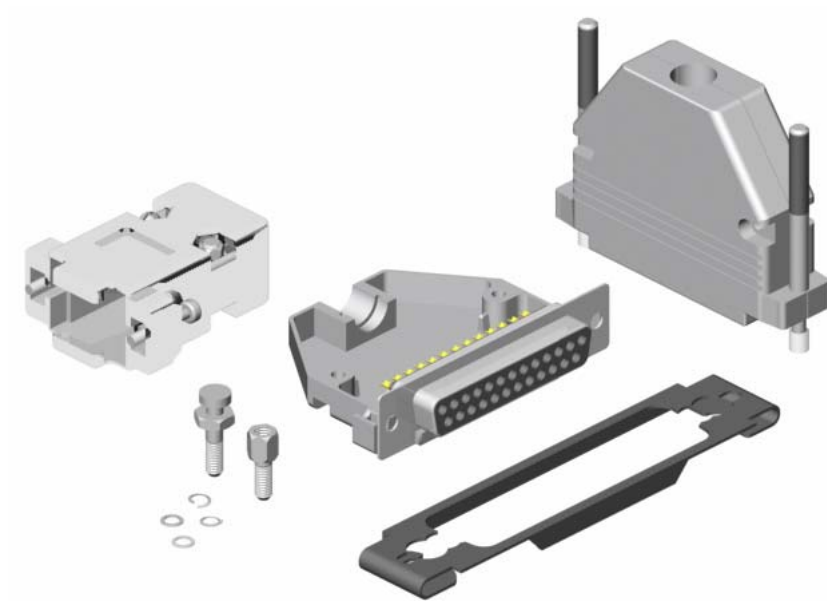
25-pin female / 9-pin male / 15-pin HD female



Version	without grounding clips just 4 mounting holes	without grounding clips, just 4 mounting holes; 6 jack screws 4-40 UNC mounted	with 4 grounding clips (as above drawing)	with 4 grounding clips; 6 jack screws 4-40 UNC mounted
Standard: black color Insulator	SDD-259H15-4-95-FMF	SDD-259H15-4-95-FMFJ	SDD-259H15-4-95-FMFN	SDD-259H15-4-95-FMFNJ
meets PC99 spec.	SDP-259H15-4-95-FMF	SDP-259H15-4-95-FMFJ	SDP-259H15-4-95-FMFN	SDP-259H15-4-95-FMFNJ

D-Sub

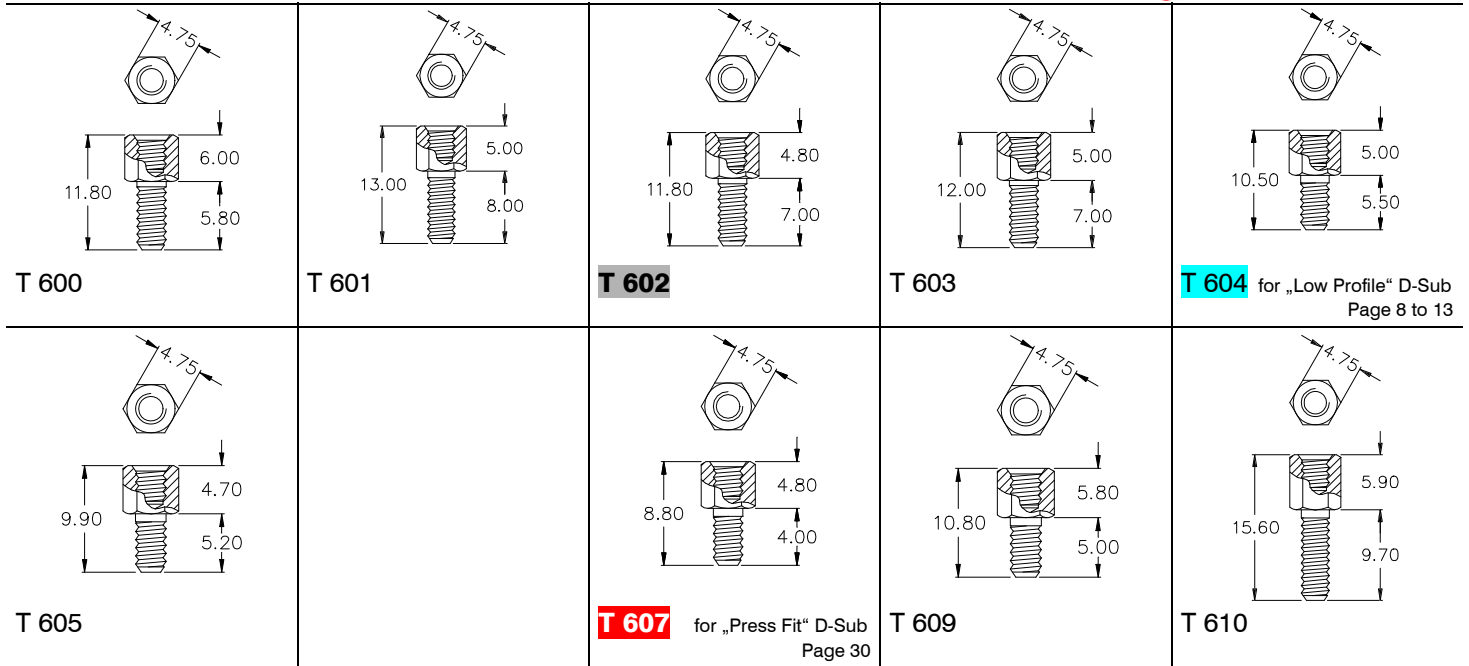
Accessories & Technical Data



E-tec's D-Sub Connector accessories.

EMI / RFI full metal hoods, plastic and plastic metallized hoods.

Slide lock parts and a variety of jack screws.



Ordering Code

JSR - xxx - X xxx - NN

thread combination		thread combi-code
inside	outside	
M 2,6	4-40 UNC	244
2-56 UNC	2-56 UNC	256
M 3	M 3	300
M 3	M 2,6	326
M 3	4-40 UNC	344
4-40 UNC	4-40 UNC	440
4-40 UNC	M 3	443

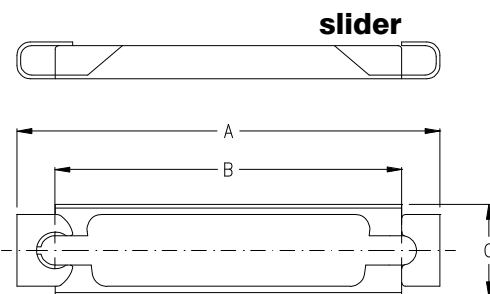
size type

T 600	
T 601	
T 602	standard type
T 603	
T 604	for „Low Profile“ D-Sub; Page 8 to 13
T 605	
T 607	for „press fit“ D-Sub; Page 30
T 609	
T 610	

If you order D-Sub connector assembled with Jack screw, T602 type always will be delivered.

Jack Screws with other dimension, also round head, are available on request.

Slide locking accessories



- A set of slider consists of:
- * 1 frame
 - * 2 screws 4-40 UNC
 - * 2 washers
 - * 2 nuts 4-40 UNC

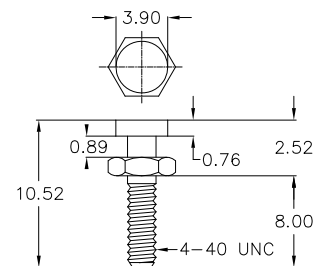
Ordering Code

SLO - xxx - T 106 - NN

No. of contacts

009 - 015 - 025 other sizes on request

locking post



Ordering Code

JLP - 440 - T 106 - NN

If you want to have assembled to the D-Sub connector direct, please ask the nearest E-tec office or Distributor

Jack Screws and Slide locking accessories are Nickel plated

metal hood

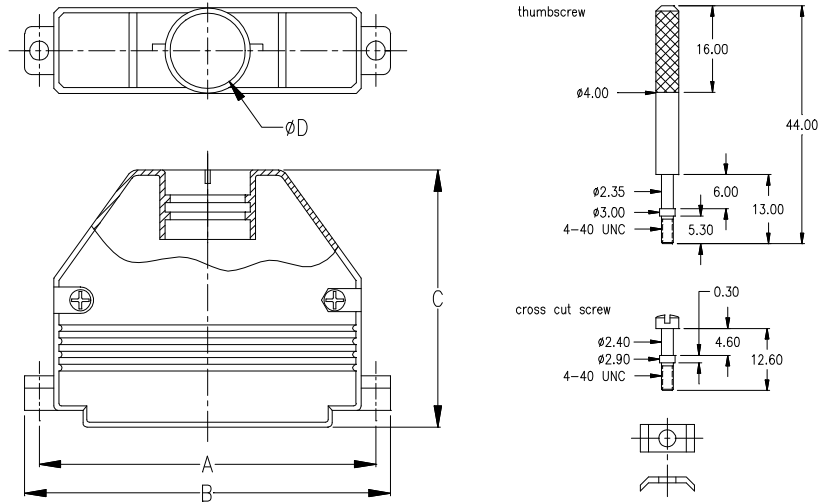
materials *RoHS compliant*

hood: zinc alloy Nickel plated

screw: steel

Please ask for detail drawing each type.

Dimension				D-Sub contacts
A	B	C	D	
24.99	31.00	47.00	7.00	009 / 015 (HD)
33.32	40.00	48.20	10.00	015 / 026 (HD)
47.04	53.30	48.70	14.00	025 / 044 (HD)
63.50	69.00	48.60	14.00	037 / 062 (HD)
61.11	67.00	48.30	14.00	050 / 078 (HD)



Ordering Code

HSM - xxx - S xxx - xx Z

Size Code	screw type	cable exit
009 = 9-pole Std. / 15-pole HD 015 = 15-pole Std. / 26-pole HD 025 = 25-pole Std. / 44-pole HD 037 = 37-pole Std. / 62-pole HD 050 = 50-pole Std. / 78-pole HD	101 = cross cut screw not available for 90° cable exit 102 = thumbscrew others on request	00 = straight 90 = 90° with Rubber grommet: 0R = straight 9R = 90° 90° cable exit only for size code 009/H15 015/H26 025/H44

plastic hood

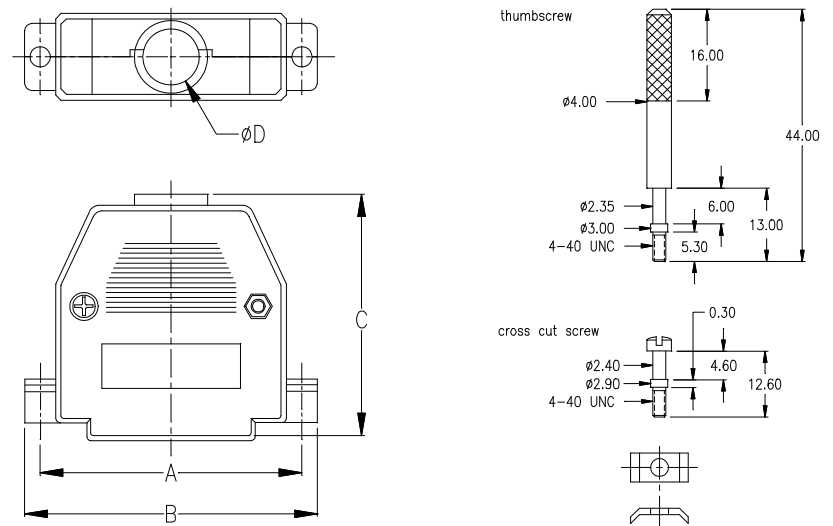
materials *RoHS compliant*

hood: PBT UL 94-V0

screw: steel

Please ask for detail drawing each type.

Dimension				D-Sub contacts
A	B	C	D	
24.99	30.80	40.50	7.00	009 / 015 (HD)
33.32	39.70	38.80	9.70	015 / 026 (HD)
47.04	55.00	44.50	14.00	025 / 044 (HD)
63.50	69.00	52.50	14.00	037 / 062 (HD)
61.11	67.00	48.30	14.00	050 / 078 (HD)



Ordering Code

HS X - xxx - S xxx - xx Z

colour / type	Size Code	screw type	cable exit
B = black G = grey C = chromated others on request	009 = 9-pole Std. / 15-pole HD 015 = 15-pole Std. / 26-pole HD 025 = 25-pole Std. / 44-pole HD 037 = 37-pole Std. / 62-pole HD 050 = 50-pole Std. / 78-pole HD	101 = cross cut screw not available for 45° cable exit 102 = thumbscrew others on request	00 = straight 45 = 45°



mechanical data

Mating force per contact	≤ 3,4 N
Unmating force per contact	≥ 0,2 N
Temperature range	-55° C to +105° C
Processing temperature wave solder (solder bath)	+250°C +0/-5°C for 10sec.
Processing temperature SMT and “pin in paste”	+250°C +0/-5°C for 10sec.
Moisture absorption from air 50% rh	0,10%
IDC Connector types accept AWG 26 or AWG 28 standard wire	

materials and plating (RoHS compliant)

Insulator for wave solder technology, standard black - PC 99 colourful insulator	thermoplastic glassfilled UL 94V – 0 Yellowish brown - Pantone # 131C 15-pos. female Burgundy - Pantone # 235C 25-pos. female Teal - Pantone # 322C 9-pos. male Blue - Pantone # 661C HD 15-pos.
female	
Insulator for SMT and “Pin-In-Paste”	Nylon UL 94V-0
Shell	Steel, Ni plated
Bracket	Brass, tin plated
Male contact	Copper Alloy (Standard; others on request)
- plating	-95 = solder side Sn; contact side Au over Ni -55 = solder and contact side Au over Ni
Female contact	Copper Alloy (Standard; others on request)
- plating	-95 = solder side Sn; contact side Au over Ni -55 = solder and contact side Au over Ni -NN = Ni
D-Sub Accessories (page 70) plating	

electrical data

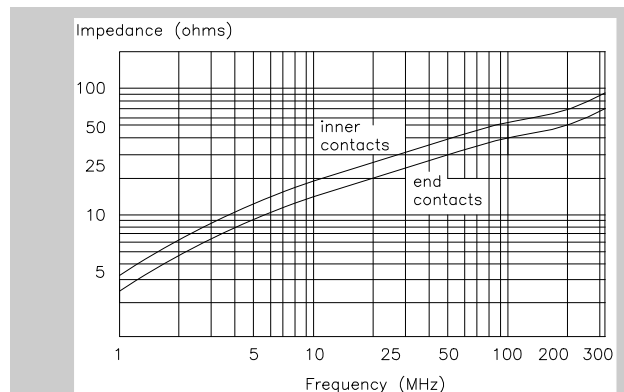
max. Current rating	5 A/25°C 3 A/70°C (High Density types 3A / IDC types 1A)
Operating voltage	250 V
Test voltage between contacts	1000 V / 50/60 Hz / 1 Minute
Test voltage between shell and contacts	1000 V / 50/60 Hz / 1 Minute
Resistance between mated contacts	< 30 m Ω
Insulation resistance	≥ 1000 M Ω at 500V DC
Dielectric strength	1000 V AC min. for 1 Minute
Volume resistivity	10 ¹⁶ Ω cm (ASTM-D 257)

available performance classes

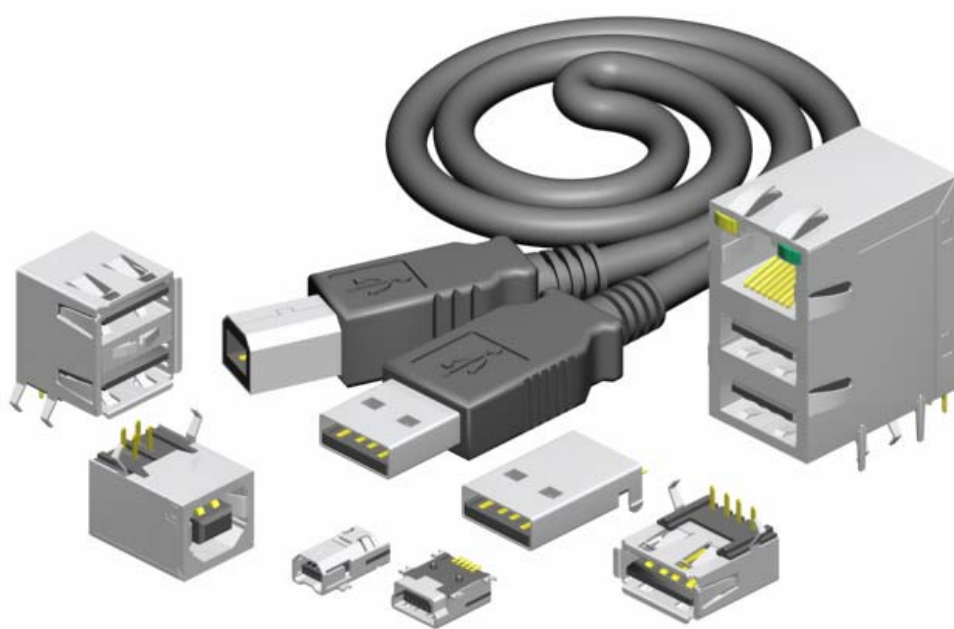
E-tec D-Sub connectors comply with Performance Class 3 (min. 50 contact cycles).
Please contact E-tec first for availability of Performance Class 2 (min. 200 contact cycles) and 1 (min. 500 contact cycles)

D-Sub with Filter (ferrite)

Frequency range	10 - 300 MHz
Impedance	5 MHz - 15 Ω
	25 MHz - 30 Ω
	100 MHz - 50 Ω
	300 MHz - 75 Ω



U S B & IEEE 1394 Connectors



The USB (Universal Serial Bus) connectors allow „plug & play“ connection of peripherals to PC ´s.

Hot plugging and automatic reconfiguration are the main advantages of this technology.

The USB product line comprises SMT and thru-hole PCB mounting connectors, all of which comply to international standards.

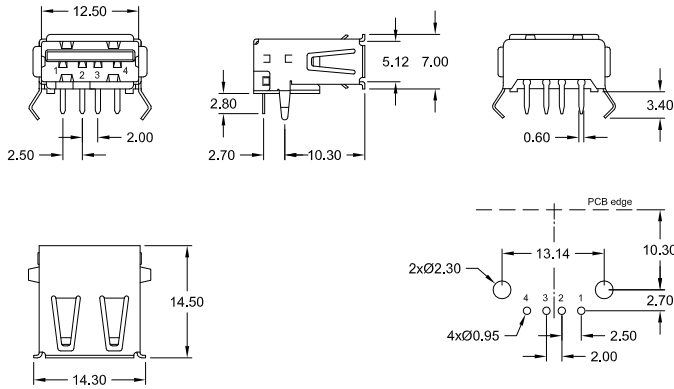
USB & IEEE1394 cable assemblies are available on request or please refer to www.e-tec.com for more details.

USS Series

USB Connector Type „A”



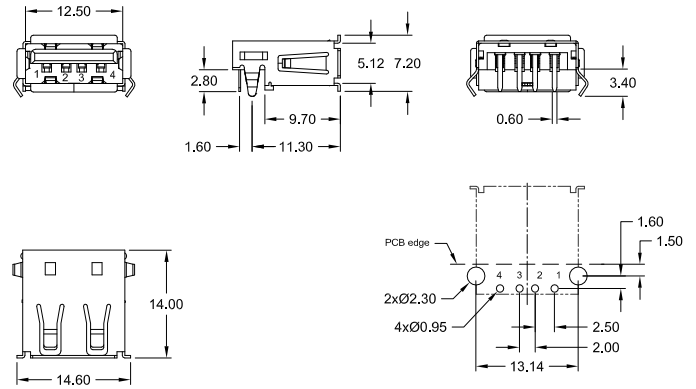
single port right angle; soldertail



ORDER CODE:

USB 1.0 corresponding **USS - W04 - RA01 - 95** (- B04 - if black housing)
 USB 2.0 corresponding **USS - W04 - RA21 - 98** (- B04 - if black housing)

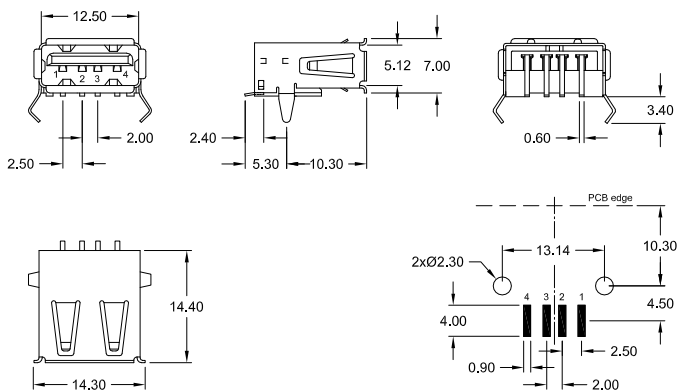
“low profile” single port right angle; soldertail



ORDER CODE:

USB 1.0 corresponding **ULS - W04 - RAS0 - 95** (- B04 - if black housing)
 USB 2.0 corresponding **ULS - W04 - RAS2 - 98** (- B04 - if black housing)

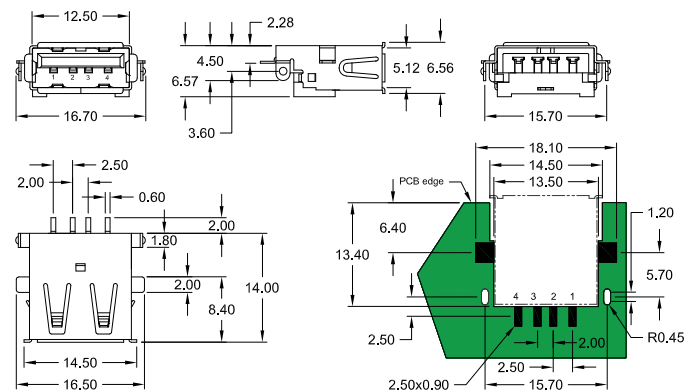
single port right angle; SMT



ORDER CODE:

USB 1.0 corresponding **USS - W04 - SAS0 - 95** (- B04 - if black housing)
 USB 2.0 corresponding **USS - W04 - SAS2 - 98** (- B04 - if black housing)
 Please contact your closest E-tec sales office for order code if reel packaging is required.

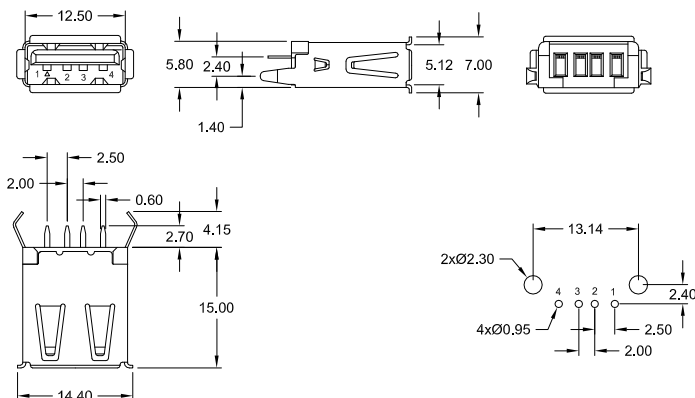
“embedded” single port right angle; SMT



ORDER CODE:

USB 1.0 corresponding **ULS - W04 - SAS0 - 95** (- B04 - if black housing)
 USB 2.0 corresponding **ULS - W04 - SAS2 - 98** (- B04 - if black housing)
 Please contact your closest E-tec sales office for order code if reel packaging is required.

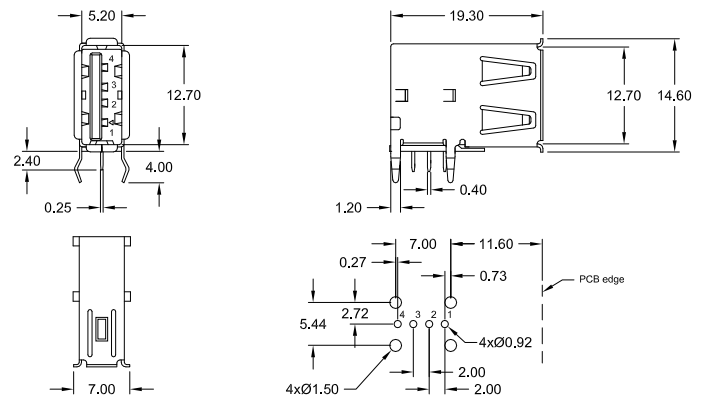
single port top entry; soldertail



ORDER CODE:

USB 1.0 corresponding **USS - W04 - TA01 - 95** (- B04 - if black housing)
 USB 2.0 corresponding **USS - W04 - TA21 - 98** (- B04 - if black housing)

single port vertical; soldertail „one line foot”



ORDER CODE:

USB 1.0 corresponding **USS - W04 - VA01 - 95** (- B04 - if black housing)
 USB 2.0 corresponding **USS - W04 - VA21 - 98** (- B04 - if black housing)

Specification

Material

Contact	(RoHS compliant)	Phosphor bronze
Plating:	Contact area	Au flash over Ni (USB 1.0 corresponding) Au 30μ” over Ni (USB 2.0 corresponding)
	Solder area	Sn (leadfree)
Housing	(RoHS compliant)	PBT white UL 94-V0 (PBT black on request)
SMT Housing	(RoHS compliant)	PA 9T UL 94-V0
Shell	(RoHS compliant)	brass, 80μ”-120μ” Ni plated

Mechanical

Mating cycles	1.500 min.
---------------	------------

Electrical

Current rating	1,5 A max. 1 Contact (Signal only)
Voltage rating	30V AC (rms)
Withstanding voltage	750V AC (rms) 1 Minute (USB 1.0) 500V AC (rms) 1 Minute (USB 2.0)
Insulation resistance	1.000MΩ min. (500V DC)
Contact resistance	30mΩ max.

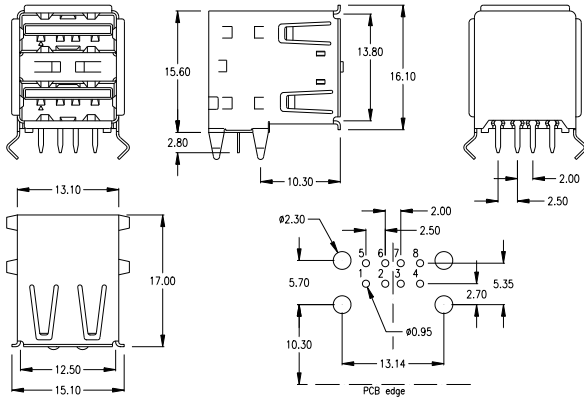
Others

Operating temperature	-55° C to +85° C
Processing temp. for SMT type	+260° C for 10 sec. max.

USS Series Multi Port USB Connector Type „A”



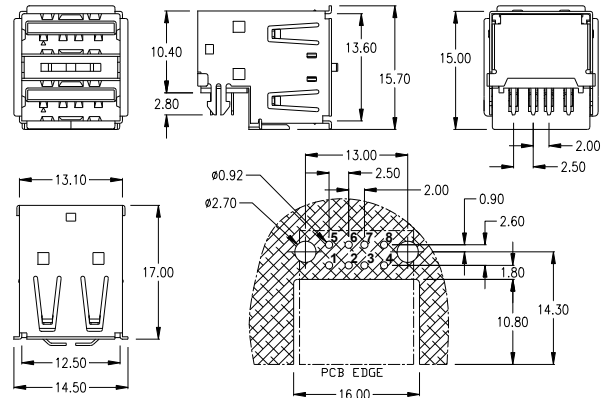
dual port right angle; soldertail



ORDER CODE:

USB 1.0 corresponding **USS - W08 - RA02 - 95** (- B08 - if black housing)
 USB 2.0 corresponding **USS - W08 - RA22 - 98** (- B08 - if black housing)

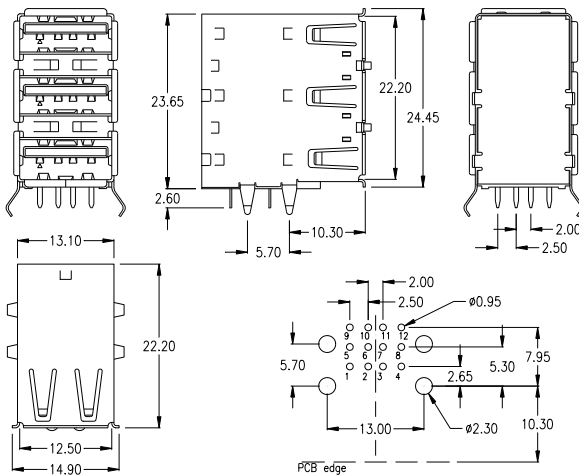
dual port "low profile" right angle; soldertail



ORDER CODE:

USB 1.0 corresponding **ULS - W08 - RA02 - 95** (- B08 - if black housing)
 USB 2.0 corresponding **ULS - W08 - RA22 - 98** (- B08 - if black housing)

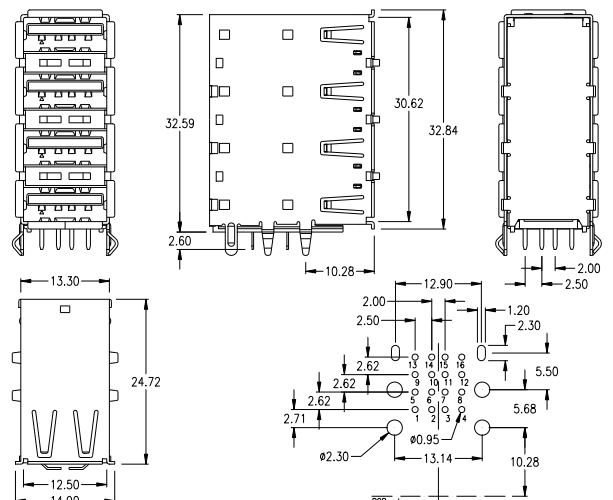
triple port right angle; soldertail



ORDER CODE:

USB 1.0 corresponding **USS - B12 - RA03 - 95** (- W12 - if white housing)
 USB 2.0 corresponding **USS - B12 - RA23 - 98** (- W12 - if white housing)

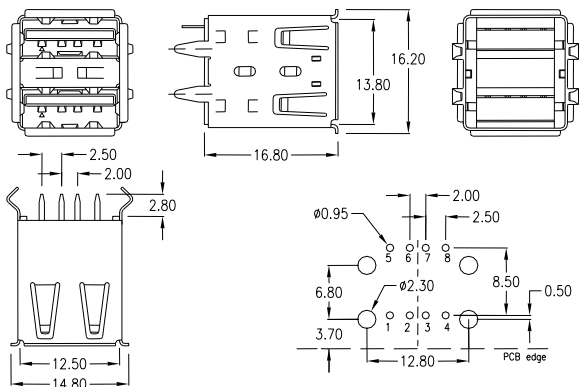
quad port right angle; soldertail



ORDER CODE:

USB 1.0 corresponding **USS - B16 - RA04 - 95** (- W16 - if white housing)
 USB 2.0 corresponding **USS - B16 - RA24 - 98** (- W16 - if white housing)

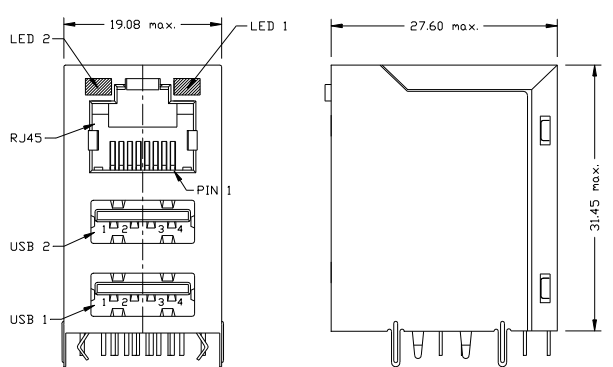
dual port "top entry"; soldertail



ORDER CODE:

USB 1.0 corresponding **USS - W08 - TA02 - 95** (- B08 - if black housing)
 USB 2.0 corresponding **USS - W08 - TA22 - 98** (- B08 - if black housing)

USB / RJ45 Combi Multi Port



E-tec also offers a USB / RJ45 Combi Multi Port as TX filtered transformer type with integrated LED. Datasheets of the different available variations can be obtained on www.e-tec.com or www.e-tec.asia or from your closest E-tec sales office.

Specification

Material

Contact	(RoHS compliant) Phosphor Bronze
Plating:	Contact area Au flash over Ni (USB 1.0 corresponding) Au 30µ" over Ni (USB 2.0 corresponding) Solder area Sn (leadfree)
Housing	(RoHS compliant) PBT UL 94-V0
Shell	(RoHS compliant) Brass, 80µ"-120µ" Ni plated, 120µ" min. Sn plated (quad port)

Mechanical

Mating cycles	1,500 min.
---------------	------------

Electrical

Current rating	1.5 A max. 1 Contact (Signal only)
Voltage rating	30V AC (rms)
Withstanding voltage	750V AC (rms) 1 Minute (USB 1.0) 500V AC (rms) 1 Minute (USB 2.0)
Insulation resistance	1.000MΩ min. (500V DC)
Contact resistance	30mΩ max.

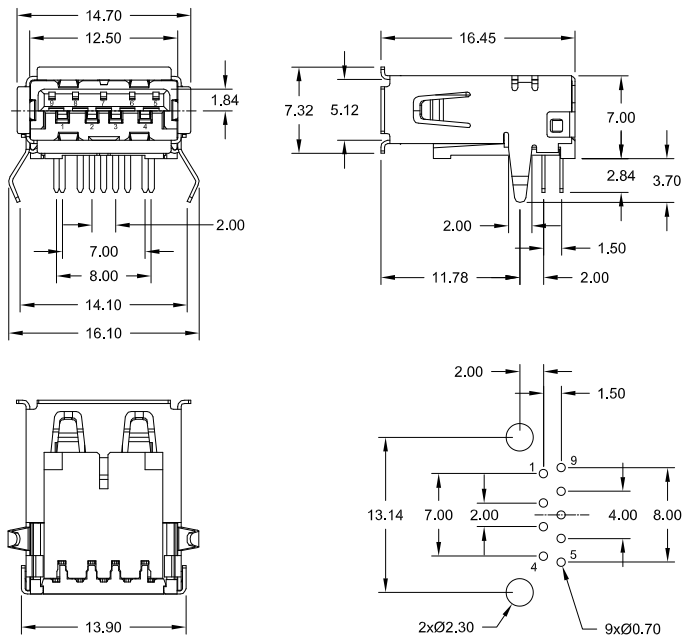
Others

Operating temperature	-55° C to +85° C
-----------------------	------------------

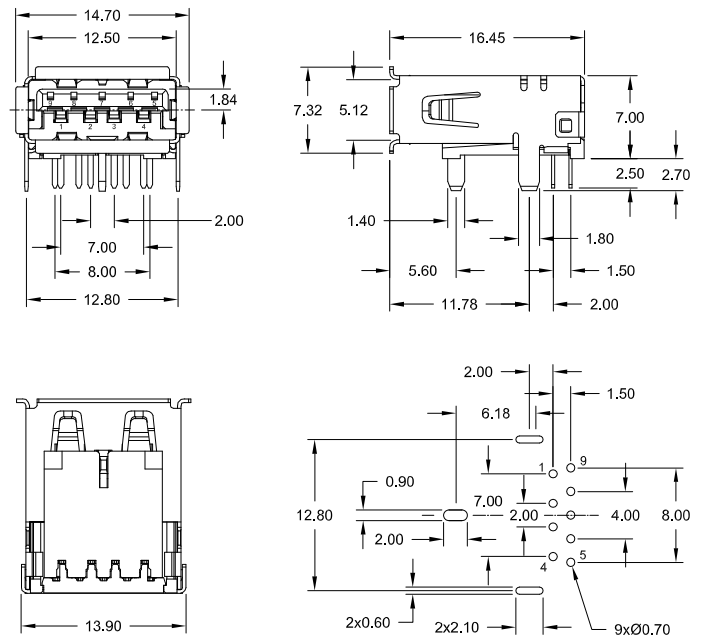
USS Series USB 3.0 Connector Type „A”



single port right angle; THT “kinked” gnd. Tabs



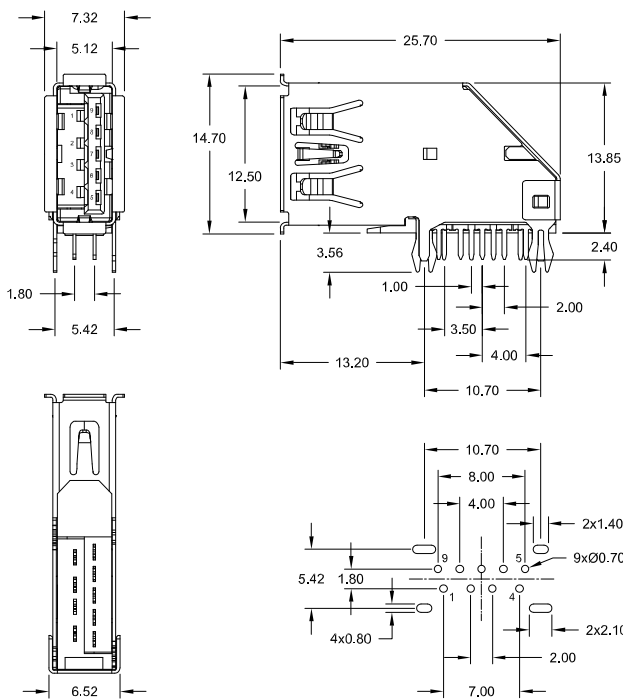
single port right angle; THR “straight” gnd. Tabs



ORDER CODE: **USS - BU09 - RA31 - 98**

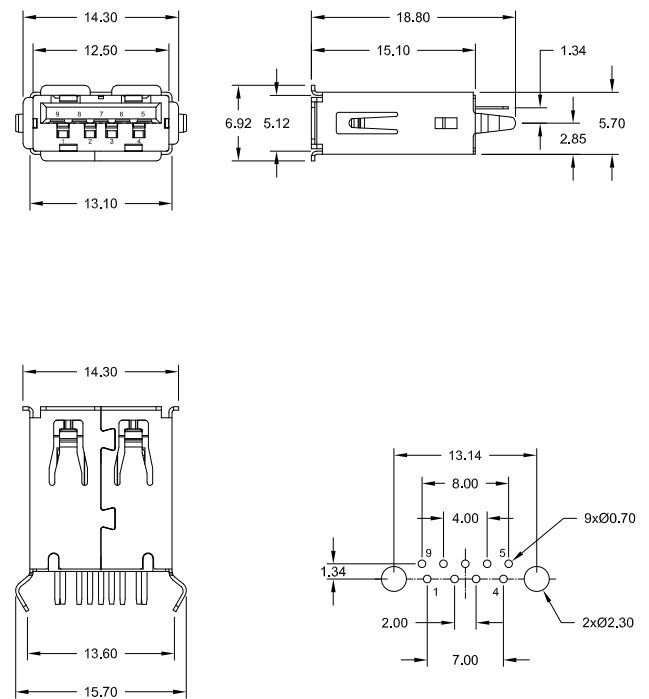
ORDER CODE: **USS - BU09 - RRAS31 - 98**

single port “upright” right angle; THT



ORDER CODE: **USS - BU09 - VA31 - 98**

single port top entry; THT



ORDER CODE: **USS - BU09 - TA31 - 98**

Specification

Material

Contact	Phosphor bronze
Plating:	
Solder area	Sn (<i>leadfree</i>)
Contact area	Au 30μm over Ni
Housing	P.B.T. blue UL 94-V0
Type -RRAS31-	LCP blue UL 94-V0
Shell	Steel, 80μm-120μm Ni plated

Mechanical

Mating cycles	1.500 min.
---------------	------------

Electrical

Current rating/contact	1,8A max. (Contact 1 & 4 only) 0,25A max. (all other)
Voltage rating	100V AC (rms)
Withstanding voltage	500V AC (rms) 1 Minute
Insulation resistance	100MΩ min. (500V DC)
Contact resistance	30mΩ max. (Contact 1 & 4 only) 50mΩ max. (all other)

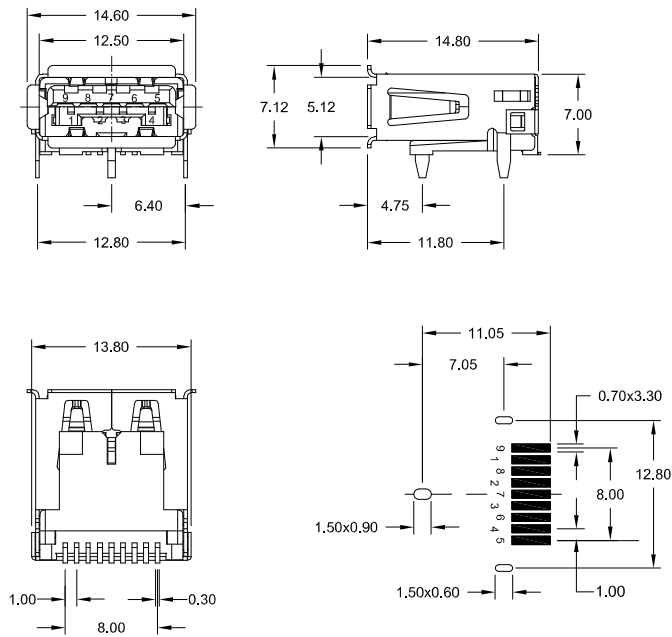
Others

Operating temperature	-55° C to +85° C
Processing temperature (THR)	-55° C to +105° C -RRAS31- Type +260° C +0/-5° C for 5 seconds

USS / ULS Series USB 3.0 Connector Type „A”

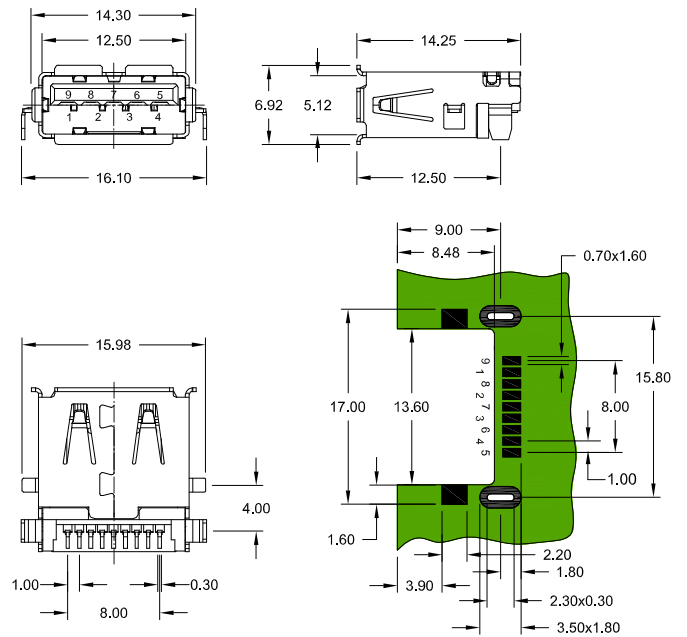


single port right angle; SMT



ORDER CODE: **USS - BU09 - SAS31 - 98**

single port right angle; SMT "Embedded"



ORDER CODE: **ULS - BU09 - SAS31 - 98**

Specification

Material

Contact	Phosphor bronze
Plating:	
Solder area	Sn (<i>leadfree</i>)
Contact area	Au 30μ" over Ni
Housing	LCP blue UL 94-V0
Shell	Brass, 80μ"-120μ" Ni plated

Mechanical

Mating cycles	1.500 min.
---------------	------------

Packing

Standard	Tray
Option	Reel

Electrical

Current rating/contact	1,8 A max. (Signal only; 1 & 4) 0,25A max. (all other)
Voltage rating	100V AC (rms)
Withstanding voltage	500V AC (rms) 1 Minute
Insulation resistance	100MΩ min. (500V DC)
Contact resistance	30mΩ max. (Signal only; 1 & 4) 50mΩ max. (all other)

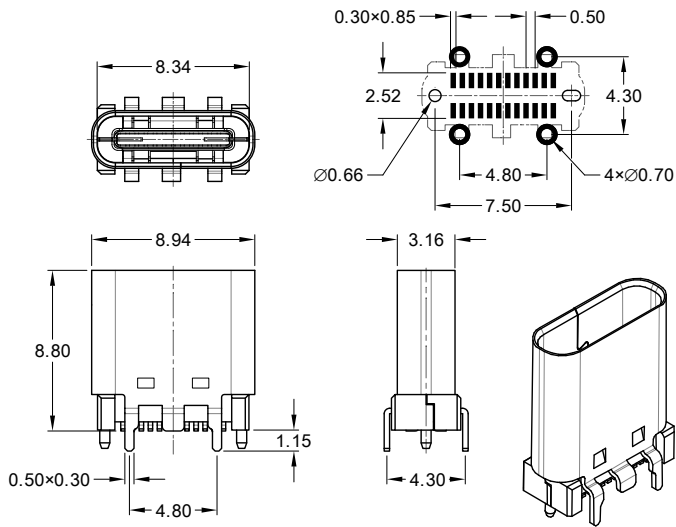
Others

Operating temperature	-55° C to +105° C
Processing temperature	+260°C +0/-5°C for 5 seconds

UNS Series USB 3.1 Connector Type C

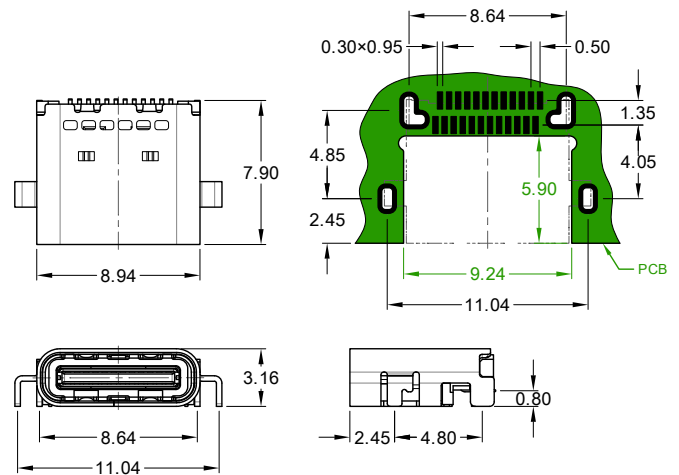


Single port vertical; SMT Type



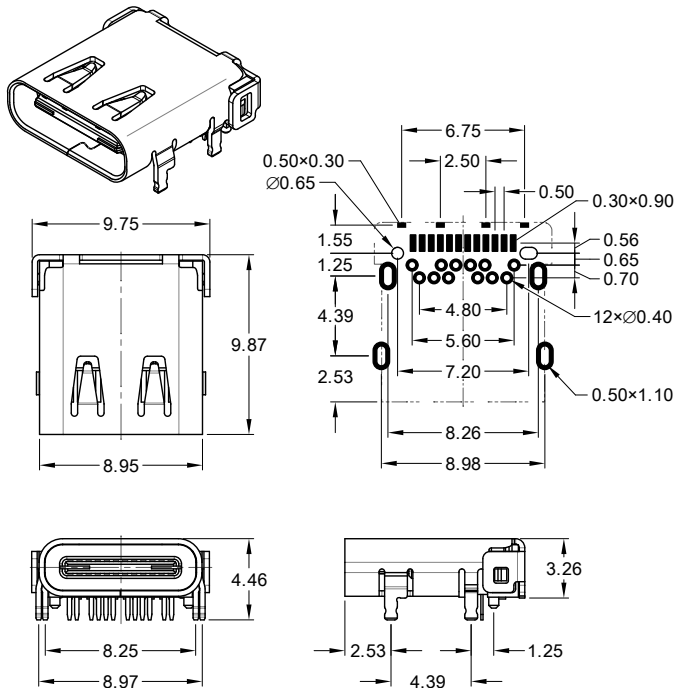
ORDER CODE: **UNS - B24/2 - UC2C130 - 98/B**

Single port right angle; SMT "Embedded" Type



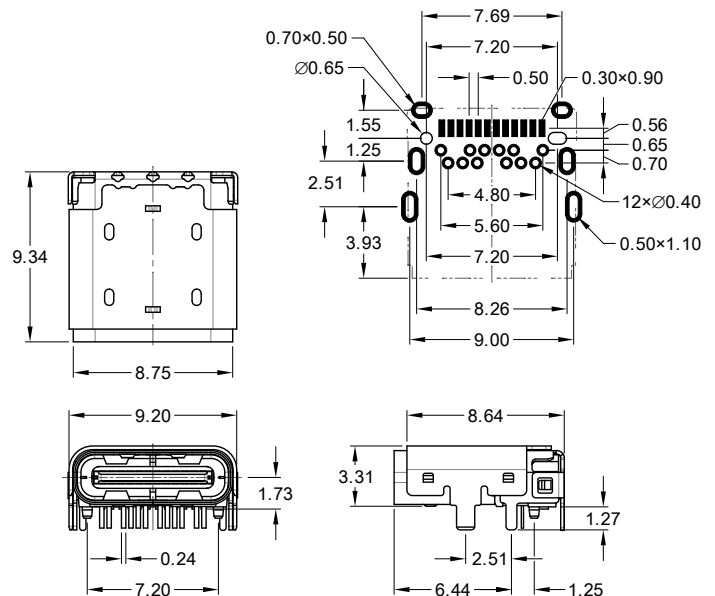
ORDER CODE: **UNS - B24/M - SC1C130 - 98/R**

Single port right angle; SMT/THR "Hybrid" Type



ORDER CODE: **UNS - B24 - SRCC130 - 58/R**

Single port right angle; SMT/THR "Hybrid" Type



ORDER CODE: **UNS - B24 - SRC1C130 - 98/R**

Specification

Material

Contact	Copper alloy
Plating:	
Solder area	Sn (leadfree)
-SRCC130- type	Au flash
Contact area	Au flash/ Au 15µ" / Au 30µ" over Ni
Housing	LCP black UL 94-V0
Shell	Stainless Steel, 50µ" min. Ni plated

Mechanical

Mating cycles	10,000 min.
---------------	-------------

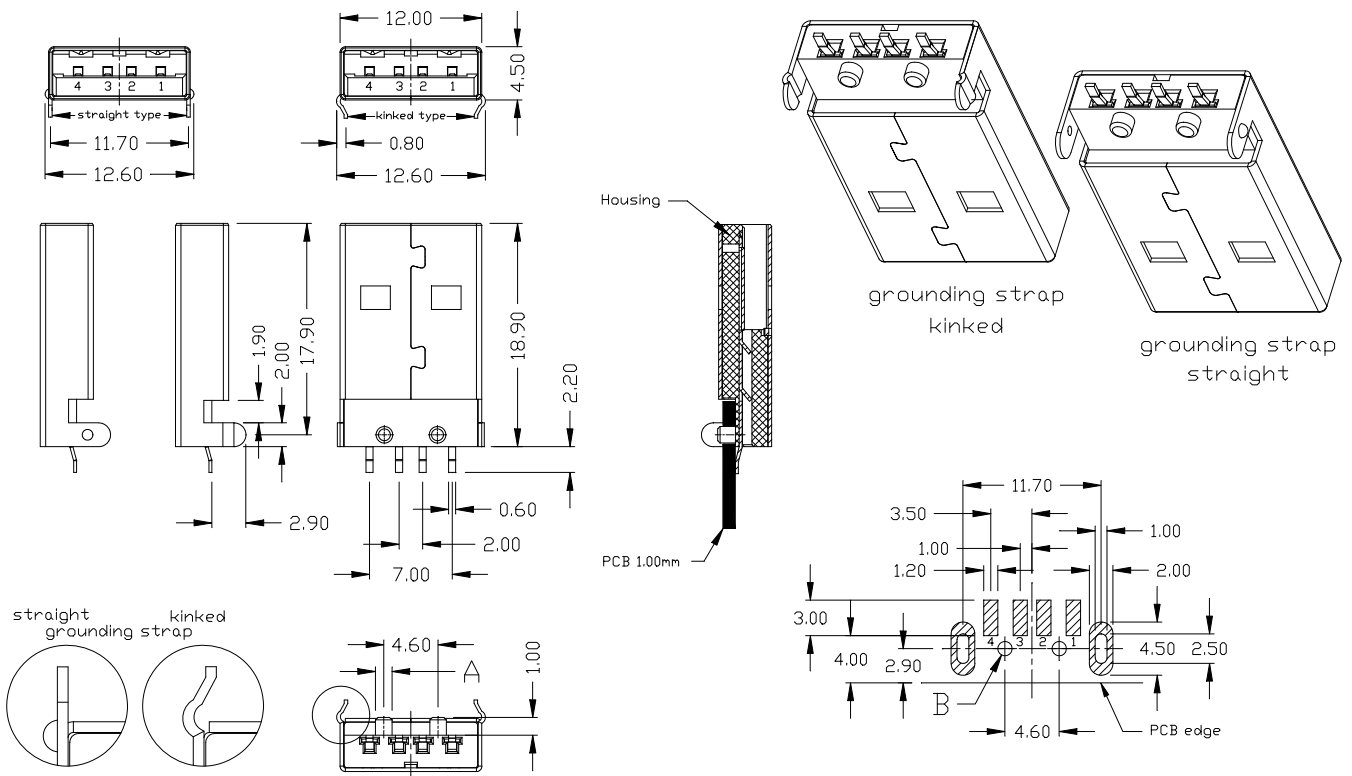
Electrical

Current rating/contact	1.25A max. (VBUS & GND Contacts) 0.25A max. (all other)
Voltage rating	20V AC max.
Withstanding voltage	100V AC
Insulation resistance	100MΩ min.
Contact resistance	40mΩ max.

Others

Operating temperature	-30° C to +80° C
Processing temperature (THR)	+260°C +0/-5°C for 5 seconds

SMT Type



Recommendation:

DIM. "B" = \varnothing 1,20mm if locating peg \varnothing "A"=1,00mm

DIM. "B" = \varnothing 1,60mm if locating peg \varnothing "A"=1,40mm

ORDER CODE

USP - B 04 - SA x x - XX

Housing Colour

Black (Standard) = B
others on request

USB Corresponding

1 - 95 = USB 1.0 corresponding

2 - 98 = USB 2.0 corresponding

Execution

0 = kinked grounding pins; locating pegs \varnothing 1.00mm

1 = straight grounding pins; locating pegs \varnothing 1.00mm

2 = kinked grounding pins; locating pegs \varnothing 1.40mm

3 = straight grounding pins; locating pegs \varnothing 1.40mm

(for locating peg dim. pls. go to drawing DIM. "A")

Specification

Material

Contact (RoHS compliant)	Brass
Plating:	
Contact area	Au flash over Ni (USB 1.0 corresponding) Au 30 μ over Ni (USB 2.0 corresponding)
Solder area	Sn (leadfree)
Housing (RoHS compliant)	Nylon UL 94-V0
Shell (RoHS compliant)	brass, 80 μ "-120 μ " Ni plated

Mechanical

Mating cycles	1.500 min.
SMT coplanarity	0.10mm

Electrical

Current rating	1 A max. 1 Contact (Signal only)
Voltage rating	30V AC (rms)
Withstanding voltage	750V AC (rms) 1 Minute (USB 1.0) 500V AC (rms) 1 Minute (USB 2.0)
Insulation resistance	1.000M Ω min. (500V DC)
Contact resistance	30m Ω max.

Others

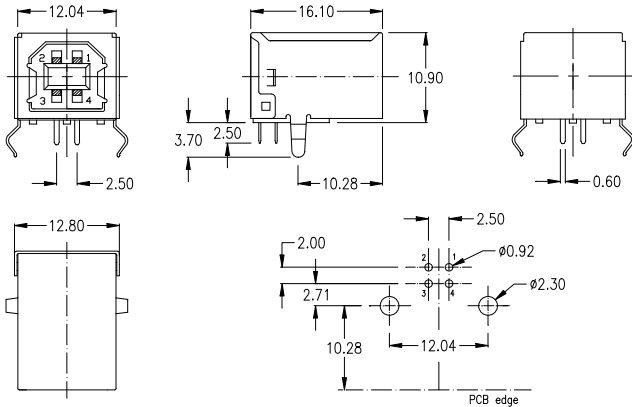
Operating temperature	-55° C to +85° C
Processing temperature	+260° C for 10 sec. max.

USS Series - USB Connector

Type „B”

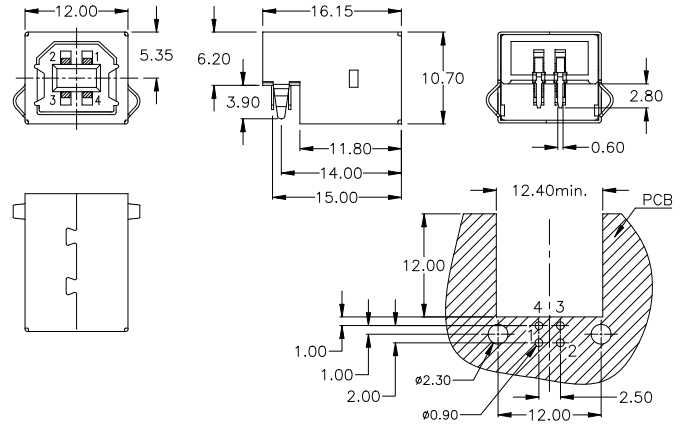


single port right angle; soldertail



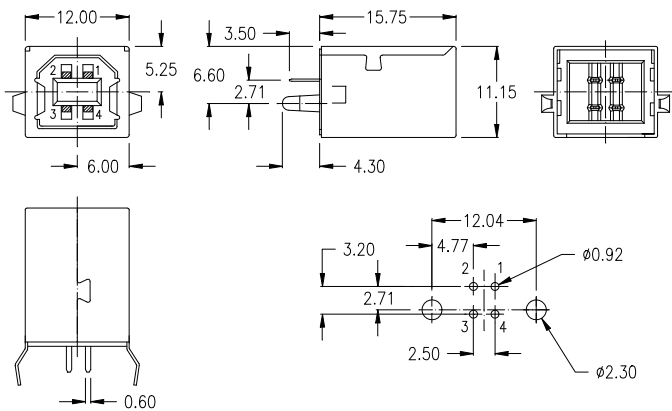
ORDER CODE **1.0 Type: USS - W04 - RB01 - 95** (- B04 - if black insulator)
 ORDER CODE **2.0 Type: USS - W04 - RB21 - 98** (- B04 - if black insulator)

“low profile” single port right angle; soldertail



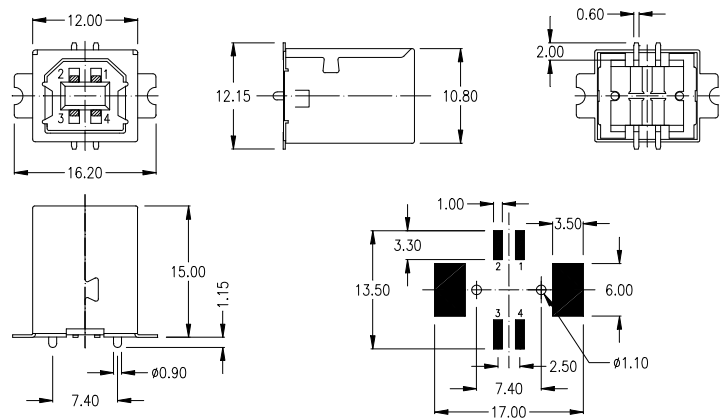
ORDER CODE **1.0 Type: ULS - W04 - RBS0 - 95** (- B04 - if black insulator)
 ORDER CODE **2.0 Type: ULS - W04 - RBS2 - 98** (- B04 - if black insulator)

single port top entry; soldertail



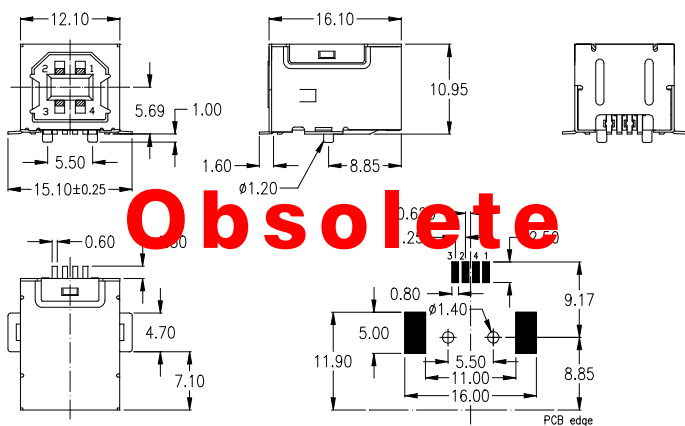
ORDER CODE **1.0 Type: USS - W04 - TB01 - 95** (- B04 - if black insulator)
 ORDER CODE **2.0 Type: USS - W04 - TB21 - 98** (- B04 - if black insulator)

single port top entry; SMT



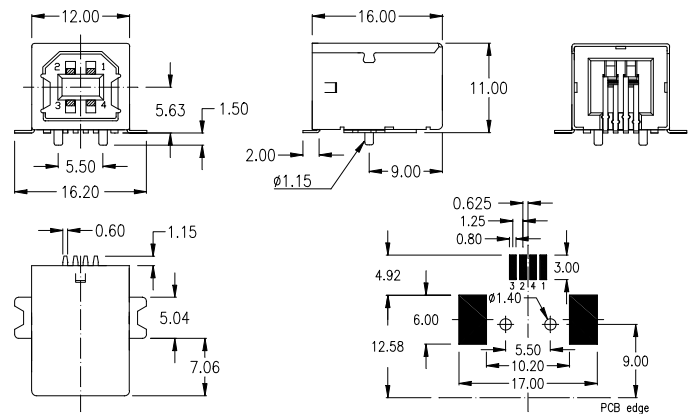
ORDER CODE **1.0 Type: USS - W04 - UB01 - 95** (- B04 - if black insulator)
 ORDER CODE **2.0 Type: USS - W04 - UB21 - 98** (- B04 - if black insulator)
 Please contact your closest E-tec sales office for order code if reel packaging is required.

single port right angle; SMT “fully shielded”



ORDER CODE **1.0 Type: USS - W04 - SB01 - 95** (- B04 - if black insulator)
 ORDER CODE **2.0 Type: USS - W04 - SB21 - 98** (- B04 - if black insulator)
 Please contact your closest E-tec sales office for order code if reel packaging is required.

single port right angle; SMT “semi shielded”



ORDER CODE **1.0 Type: USS - W04 - SBS0 - 95** (- B04 - if black insulator)
 ORDER CODE **2.0 Type: USS - W04 - SBS2 - 98** (- B04 - if black insulator)
 Please contact your closest E-tec sales office for order code if reel packaging is required.

Obsolete

Specification

Material	
Contact	(RoHS compliant) Phosphor bronze
Plating	(RoHS compliant) tin (leadfree) / gold
	solder area:
	contact area:
	if -95 = Au flash over Ni (1.0 Type)
	if -98 = Au 30µ" over Ni (2.0 Type)
Insulator	(RoHS compliant) PBT white (standard) UL 94-V0
	(PBT black on request)
SMT Insulator	(RoHS compliant) Nylon UL 94-V0
Shell	(RoHS compliant) brass, 80µ"-120µ" Ni plated
Mechanical	
Mating cycles	1.500 min.

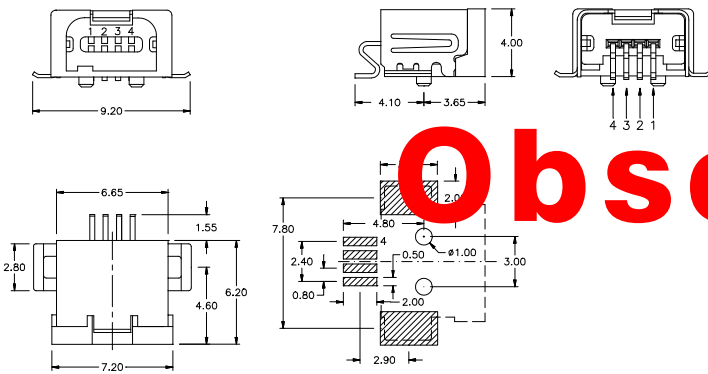
Electrical	
Current rating	1,5 A max. 1 Contact (Signal only)
Voltage rating	30V AC (rms)
Withstanding voltage	750V AC (rms) 1 Minute (USB 1.0)
	500V AC (rms) 1 Minute (USB 2.0)
Insulation resistance	1.000MΩ min. (500V DC)
Contact resistance	30mΩ max.
Others	
Operating temperature	-55° C to +85° C
Processing temp. for SMT type	+260° C for 10 sec. max.

UMS Series

Mini USB Connector

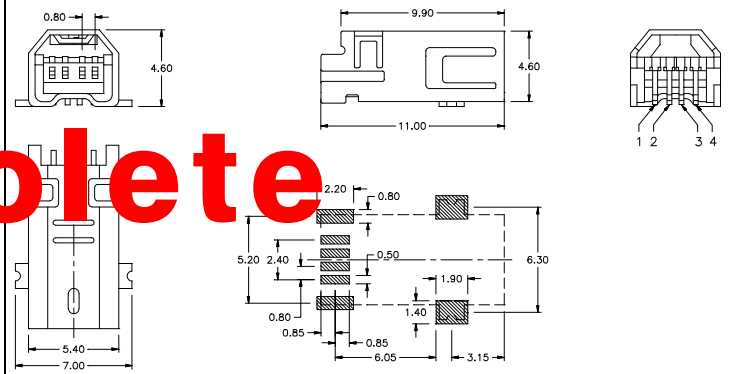


Mini "A" Type 4 Pin



ORDER CODE USB 1.0 corresponding: **UMS - B04 - SAS0 - 95**

Mini "B" Type 4 Pin



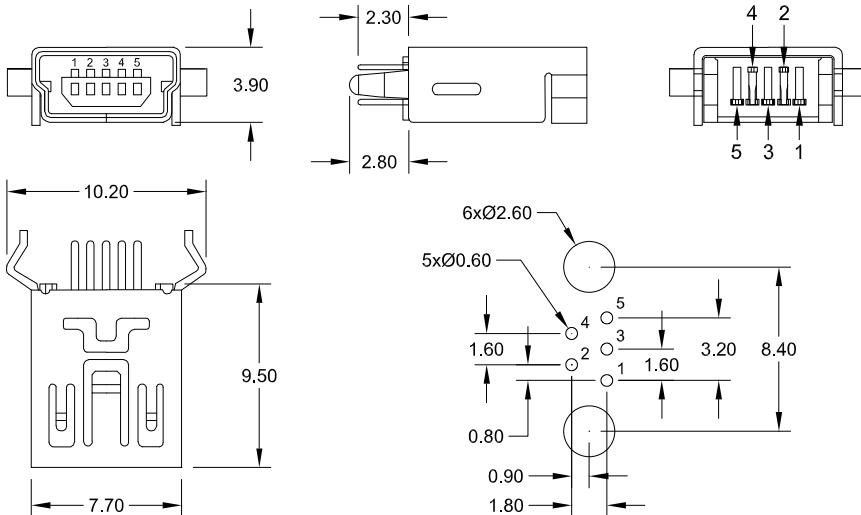
ORDER CODE USB 1.x corresponding: **UMS - B04 - SBS0 - 95**

ORDER CODE USB 2.0 corresponding: **UMS - B04 - SBS2 - 98**

Obsolete

Mini "B" Type 5 Pin

THT Top Entry



ORDER CODE **USB 1.x** corresponding: **UMS - B05 - TB01 - 95**

ORDER CODE **USB 2.0** corresponding: **UMS - B05 - TB21 - 98**

Specification:

Material

Contact (RoHS compliant) Copper Alloy
 Plating:
 Contact area if -95 Au flash over Ni
 Contact area if -98 Au 30μ" over Ni
 Solder area tin (leadfree) over nickel
 Housing (RoHS compliant) LCP black
 UL 94-V0
 Shell (RoHS compliant) Copper Alloy, Ni plated

Electrical

Current rating 1 A
 Voltage rating 30V AC (rms)
 Withstanding voltage 100V AC (rms) 1 Minute
 Insulation resistance 100MΩ min. (500V DC)
 Contact resistance 50mΩ max.

Mechanical

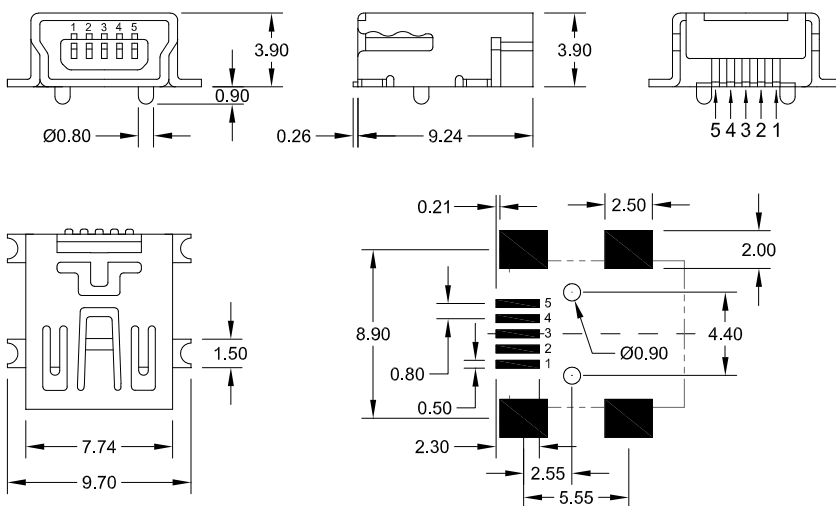
Mating cycles 5.000 min.

Others

Operating temp. -55° C to +85° C

Mini "B" Type 5 Pin

SMT side entry



ORDER CODE **USB 2.0** corresponding: **UMS - B05 - SB21 - 98**

Please contact your closest E-tec sales office for order code if reel packaging is required.

Specification:

Material

Contact (RoHS compliant) PhBz
 Plating:
 Contact area if -98 Au 30μ" over Ni
 Solder area Sn (leadfree) over Ni
 Housing (RoHS compliant) PA9T black
 UL 94-V0
 Shell (RoHS compliant) Steel, 80μ"-120μ" Ni plated

Electrical

Current rating 1 A
 Voltage rating 30V AC (rms)
 Withstanding voltage 100V AC (rms) 1 Minute
 Insulation resistance 100MΩ min. (500V DC)
 Contact resistance 50mΩ max.

Mechanical

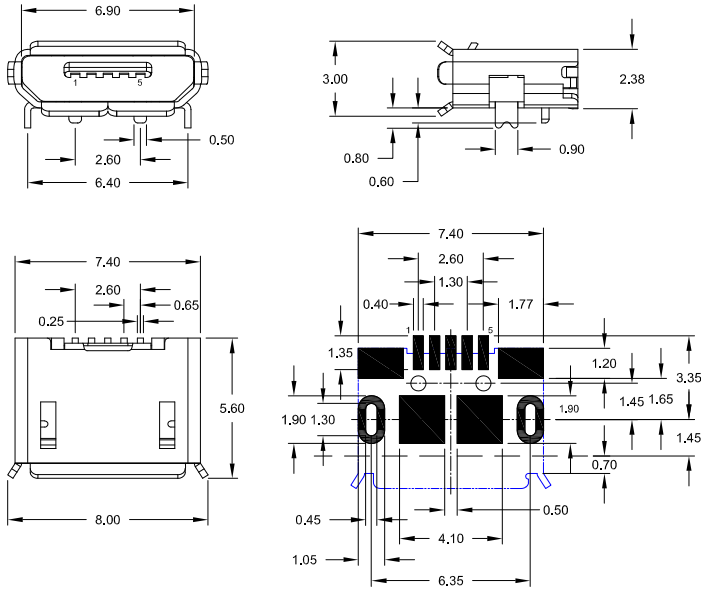
Mating cycles 5.000 min.

Others

Operating temp. -55° C to +85° C
 Processing temp. +260° C for 10 sec. max.

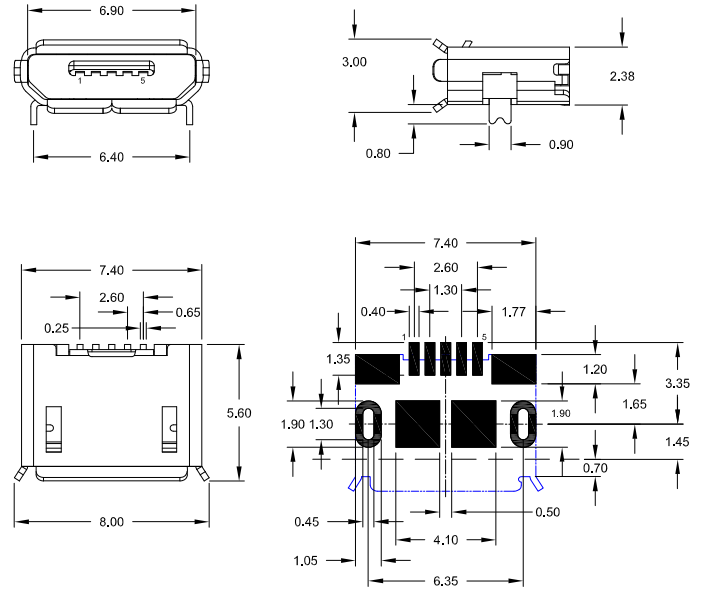
Micro "B" Type 5 Pin SMT

with straight Ground tabs and locating pegs



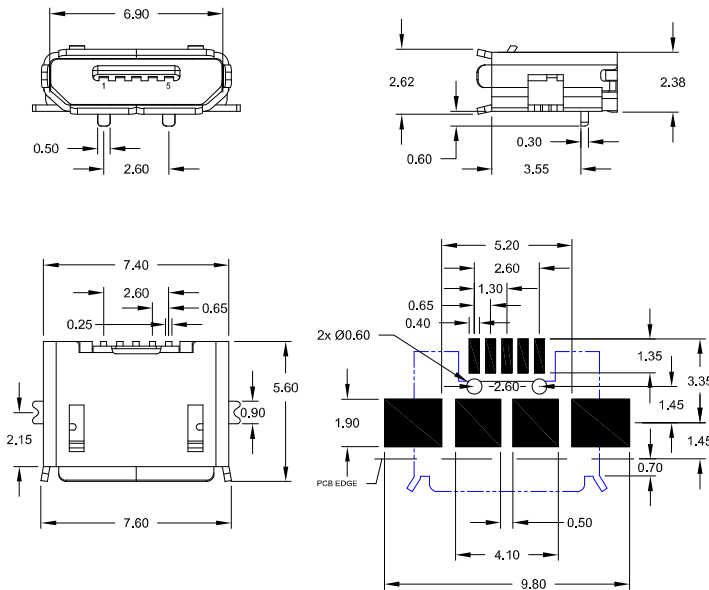
ORDER CODE **USB 2.0** corresponding:
UNS-B05-SKB2P-58/R

with straight Ground tabs and without locating pegs



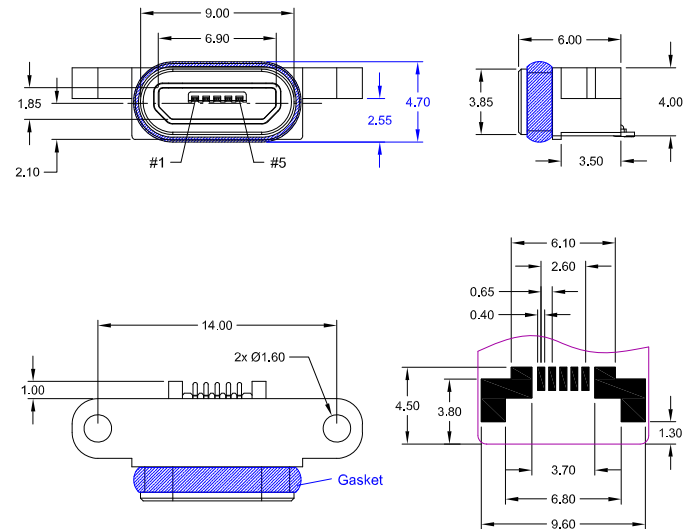
ORDER CODE **USB 2.0** corresponding:
UNS-B05-SKB2L-58/R

"Wing" Style with locating pegs



ORDER CODE **USB 2.0** corresponding:
UNS-B05-SKB21-58/R

Waterproof IP67 - protected



ORDER CODE **USB 2.0** corresponding:
UNS-B05-SWB2W-56/R

Specification

Electrical

Current rating	1 A / Contact
Signal line (No. 1 to 5)	1.8A (No. 1 & 5)
2-line for Power	0.5A (No. 2 to 4)
Voltage rating	AC 30V (rms)
Withstanding voltage	100V AC (rms) 1 Minute
Insulation resistance	100MΩ min. (500V DC)
Contact resistance	30mΩ max.

Material

Contact (RoHS compliant)	PhBz
Plating:	
Solder area	Au 1μ" over Ni
Contact area	Au 30μ" over Ni
	(Au 10μ" waterproof type)
Housing (RoHS compliant)	LCP black UL 94-V0
Shell (RoHS compliant)	Steel, 120μ" - 200μ" Sn plated

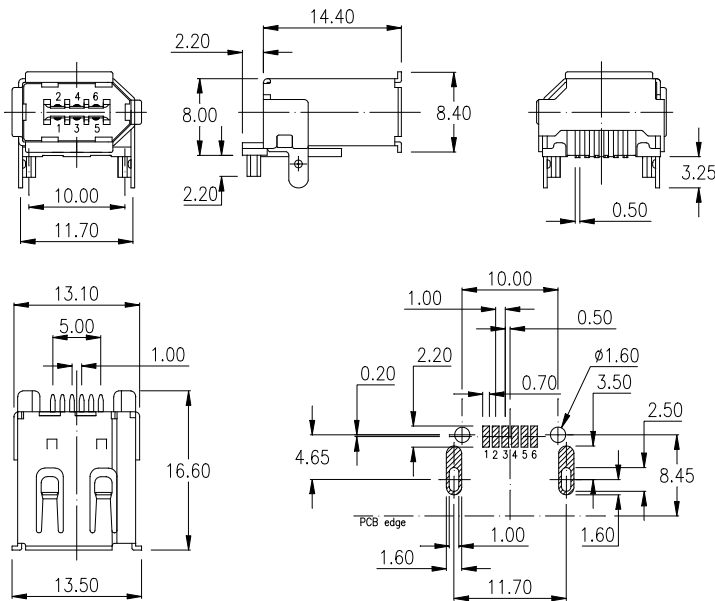
Mechanical

Mating cycles	10.000 min.
---------------	-------------

Others

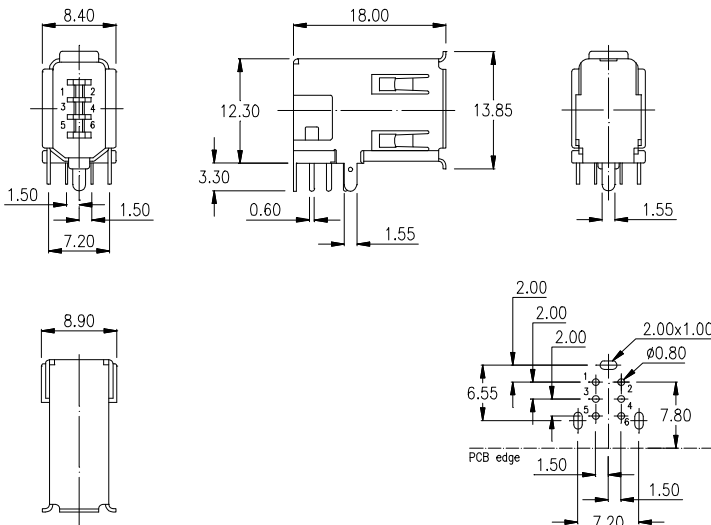
Operating temp.	-30° C to +80° C
Processing temp.	+260° C +/-5° C for 5 sec. max.

single port right angle; SMT
“fully shielded” Type



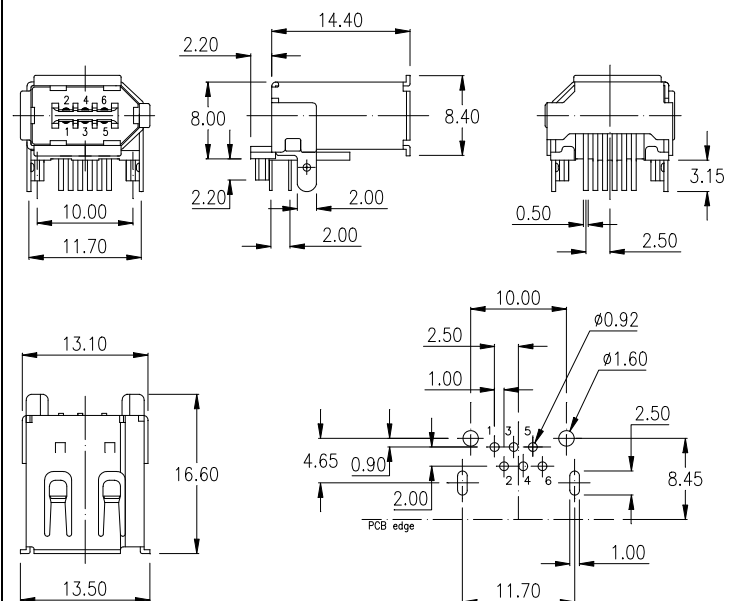
ORDER CODE: **IES - B06 - SIF1 - 98**
(- W06 - if white housing)

single port vertical; soldertail
“fully shielded” Type



ORDER CODE: **IES - B06 - VIF1 - 98**
(- W06 - if white housing)

single port right angle; soldertail
“fully shielded” Type



ORDER CODE: **IES - B06 - RIF1 - 98**
(- W06 - if white housing)

Specification

Material

Contact	(RoHS compliant)	Phosphor bronze
Plating:		
Contact area		Au 30μ" over Ni
Solder area		Sn (leadfree)
Housing	(RoHS compliant)	PBT UL 94-V0
SMT housing	(RoHS compliant)	Nylon 9T UL 94-V0
Shell	(RoHS compliant)	brass, 80μ"-120μ" Ni plated

Mechanical

Mating cycles	1.500 min.
---------------	------------

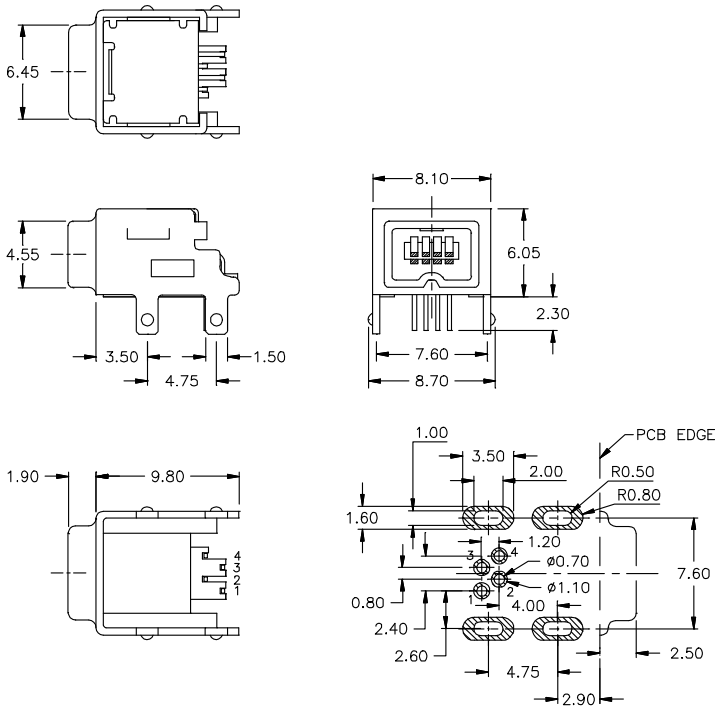
Electrical

Current rating	1,5 A max. 1 Contact (Signal only)
Voltage rating	30V AC (rms)
Withstanding voltage	500V AC (rms) 1 Minute
Insulation resistance	100MΩ min. (500V DC)
Contact resistance	30mΩ max.

Others

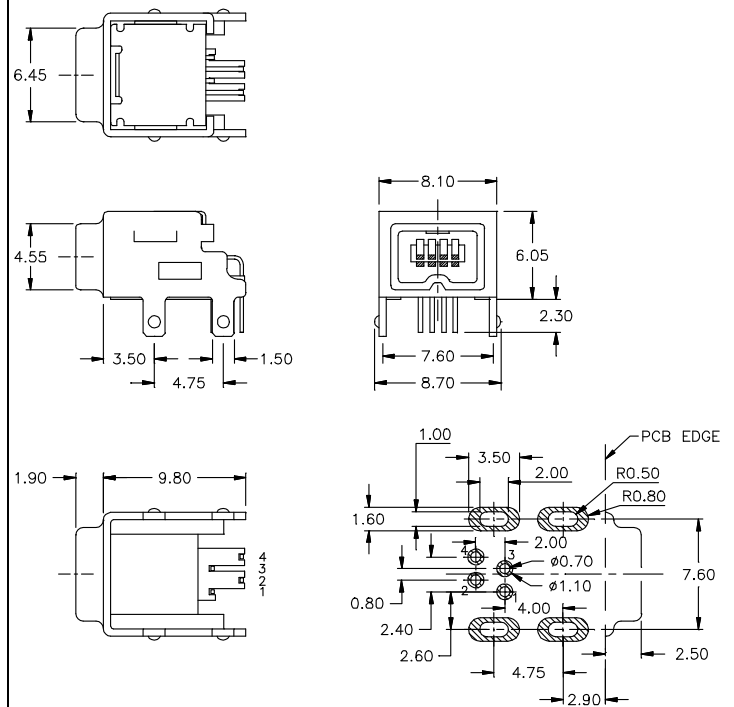
Operating temperature	-55° C to +85° C
Processing temp. for SMT type	+260° C for 10 sec. max.

single port right angle



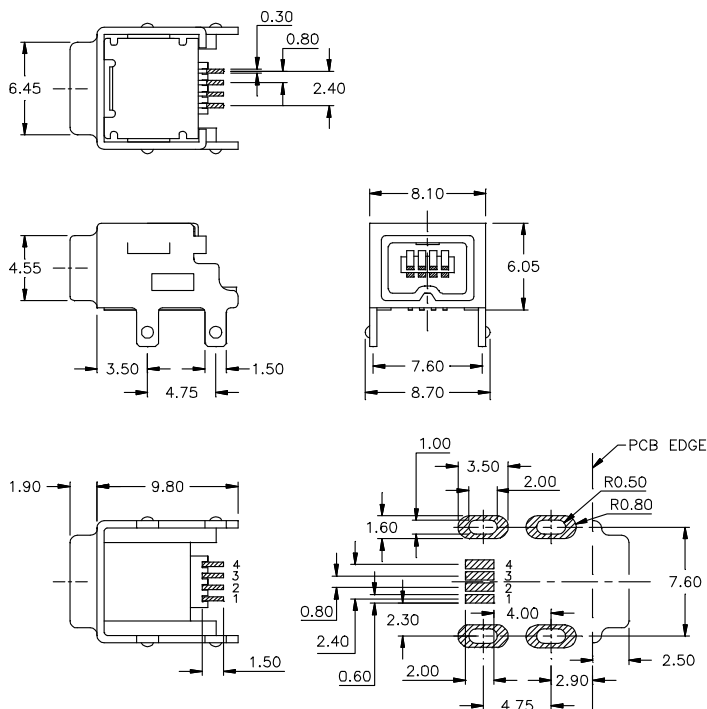
ORDER CODE: **IES - B04 - RI01 - 98**

single port right angle
“reversed” Type



ORDER CODE: **IES - B04 - RIR1 - 98**

single port right angle; SMT



ORDER CODE: **IES - B04 - SI01 - 98**

Specification

Material

Contact	(RoHS compliant) Phosphor bronze
Plating:	
Contact area	Au 30μ" over Ni
Solder area	Sn (leadfree)
Housing	(RoHS compliant) Nylon 9T UL 94-V0 black (standard)
Front Shell	(RoHS compliant) Steel 80μ"-120μ" Ni plated
Rear Shell	(RoHS compliant) Brass 80μ"-120μ" Ni plated

Mechanical

Mating cycles	1.000 min.
---------------	------------

Electrical

Current rating	1,5 A max. 1 Contact (Signal only)
Voltage rating	30V AC (rms)
Withstanding voltage	500V AC (rms) 1 Minute
Insulation resistance	100MΩ min. (500V DC)
Contact resistance	30mΩ max.

Others

Operating temperature	-55° C to +85° C
Processing temp. for SMT type	+260° C for 10 sec. max.

	<p>Order Code: USC-xxxx-AMAM-BG/G</p>
	<p>Order Code: USC-xxxx-AMAF-BG/G</p>
	<p>Order Code: USC-xxxx-2AMBM-BG/G</p>
	<p>Order Code: USC-xxxx-BMBM-BG/G</p>
	<p>Order Code: USC-xxxx-IMIM-CH/G</p>
	<p>Order Code: USC-xxxx-IM4IM-CH/B</p>
	<p>Order Code: USC-xxxx-4IMIM-CH/G</p>
	<p>Order Code: USC-xxxx-4AMAM-CH/G</p>
	<p>Order Code: USC-xxxx-4BMBM-CH/G</p>
	<p>Order Code: USC-xxxx-5BMBM-CH/G</p>

Other Cable and Connector colour on request.

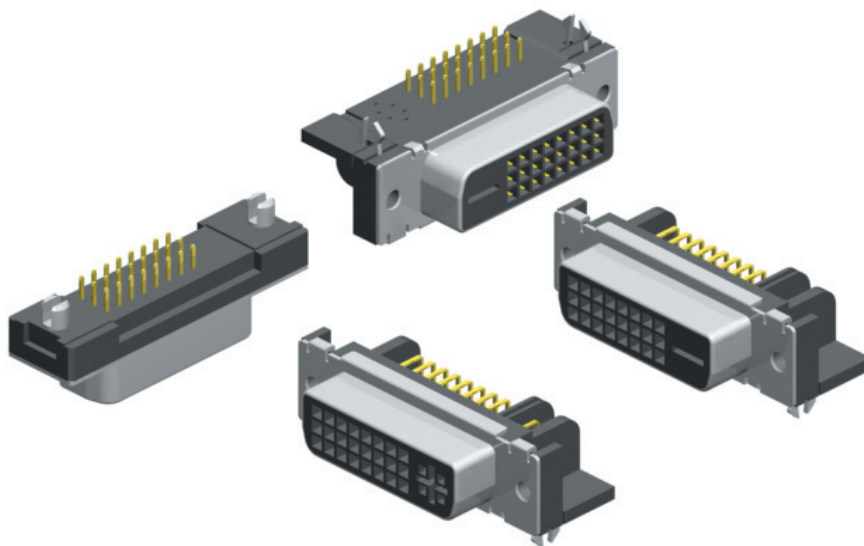
Connector and cable assembly as per Customer specification also possible.

Cable length "L"

Example: **1000** = 1000mm

DVI

Digital Visual Interface

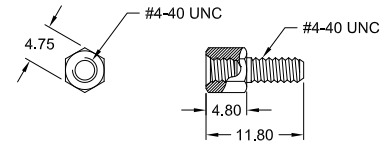
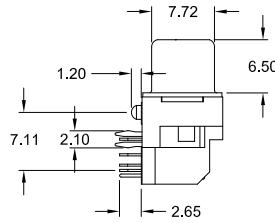
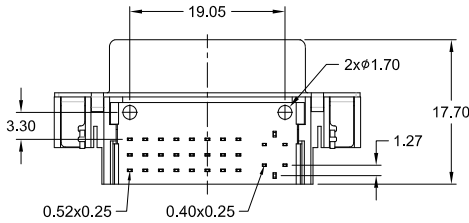
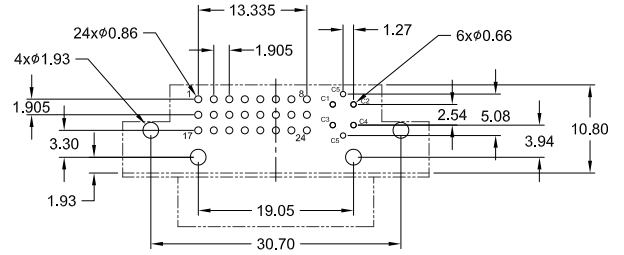
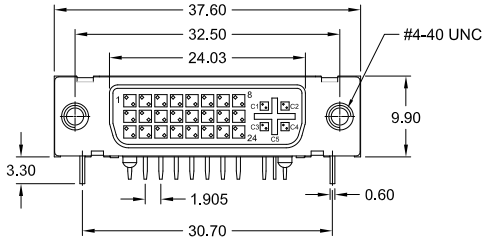


DVI is a video interface standard designed to maximise the visual quality of digital display devices such as flat panel LCD computer displays and digital projectors.

In addition, certain TV's also offer a DVI input connection, which accept digital signals from PC's or DVD players.

Analog & Digital Type

with plastic pegs



Option: Jack Screw

Specifications

Electrical:	
Current rating	1.5 A min.
Insulator resistance	1000 M Ω min.
Contact resistance	20 m Ω max.
Dielectric strength	1000 V for 1 Min.
Withstanding voltage	500V (rms) AC 1 Min.
Operating temperature	-20° C to +85° C
Mechanical:	
Insertion force	4.5 Kg max.
Withdrawal force	1.0 Kg min.
Durability	100 Cycles
Material:	
Contact	Copper Alloy
Housing	PBT UL 94V-0
Latch	PA66 UL 94V-0
Shell	Steel; Ni plated

How to order

DVF - 029 - NAD9 - xx /W P X

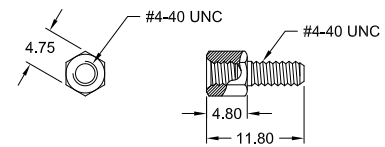
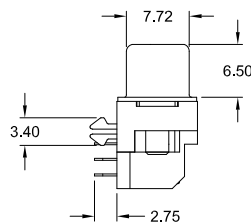
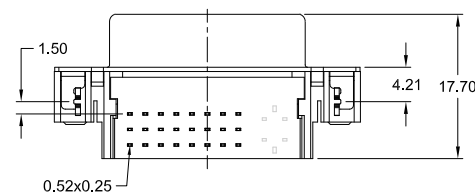
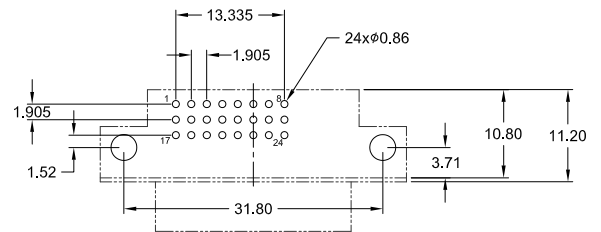
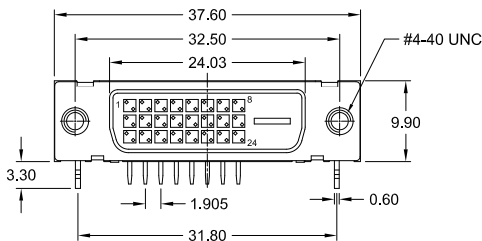
Plating	
95	= Tin (<i>leadfree</i>) / Gold flash
97	= Tin (<i>leadfree</i>) / Gold 15 μ "
98	= Tin (<i>leadfree</i>) / Gold 30 μ "

Housing Color	
W	= white (standard)
B	= black (option)

Option	
J	
2 Jack Screws 4-40 UNC attached	

Digital Type

without plastic pegs



Option: Jack Screw

Specifications

Electrical:	
Current rating	1.5 A min.
Insulator resistance	1000 M Ω min.
Contact resistance	20 m Ω max.
Dielectric strength	1000 V for 1 Min.
Withstanding voltage	500V (rms) AC 1 Min.
Operating temperature	-20° C to +85° C
Mechanical:	
Insertion force	4.5 Kg max.
Withdrawal force	1.0 Kg min.
Durability	100 Cycles
Material:	
Contact	Copper Alloy
Housing	PBT UL 94V-0
Latch	PA66 UL 94V-0
Shell	Steel; Ni plated

How to order

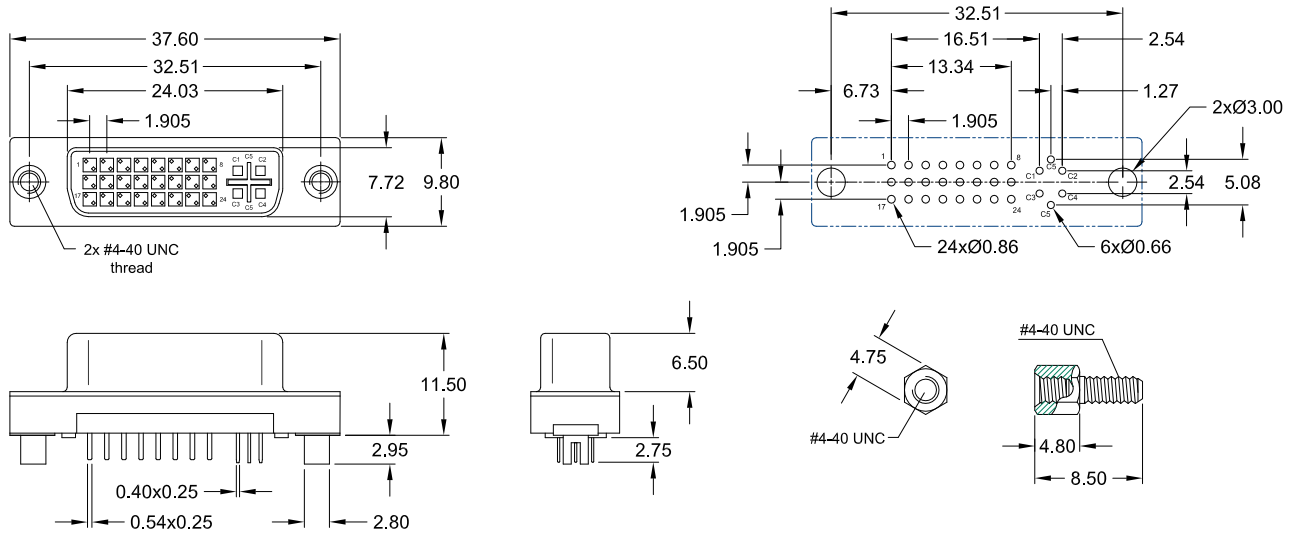
DVF - 024 - NDD9 - xx /W P X

Plating	
95	= Tin (<i>leadfree</i>) / Gold flash
97	= Tin (<i>leadfree</i>) / Gold 15 μ "
98	= Tin (<i>leadfree</i>) / Gold 30 μ "

Housing Color	
W	= white (standard)
B	= black (option)

Option	
J	
2 Jack Screws 4-40 UNC attached	

Analog & Digital Type



Option: Jack Screw

Specifications

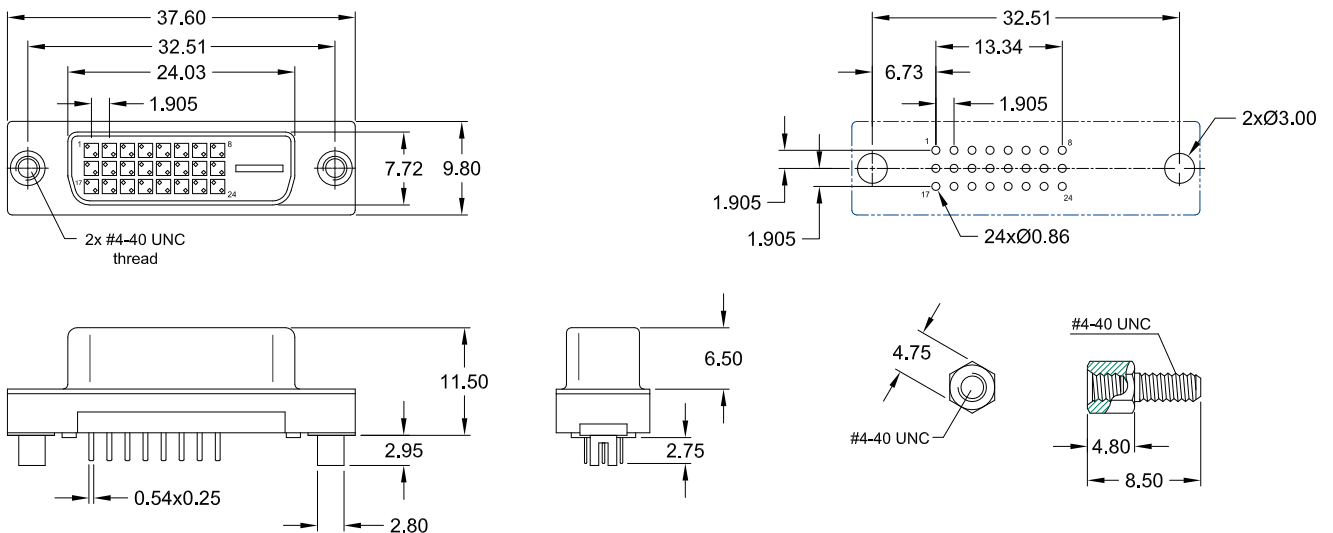
Electrical:	
Current rating	1.5 A min.
Insulator resistance	1000 M Ω min.
Contact resistance	20 m Ω max.
Dielectric strength	1000 V for 1 Min.
Withstanding voltage	500V (rms) AC 1 Min.
Operating temperature	-20° C to +85° C
Mechanical:	
Insertion force	4.5 Kg max.
Withdrawal force	1.0 Kg min.
Durability	100 Cycles
Material:	
Contact	Copper Alloy
Insulator	PBT (ivory) UL 94V-0
Shell	Steel; Ni plated

How to order

DVF - 029 - SAD1 - xx /W B J

Plating	Housing Color	J
95 = Tin (<i>leadfree</i>) / Gold flash 97 = Tin (<i>leadfree</i>) / Gold 15μ" 98 = Tin (<i>leadfree</i>) / Gold 30μ"	W = white (standard) B = black (option)	2 Jack Screws 4-40 UNC attached

Digital Type



Option: Jack Screw

Specifications

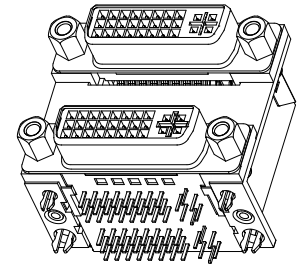
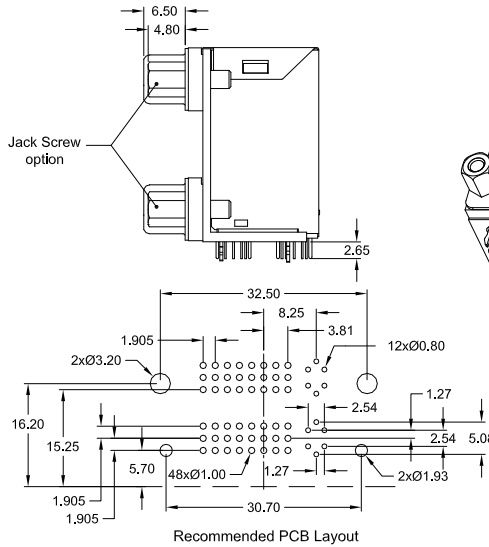
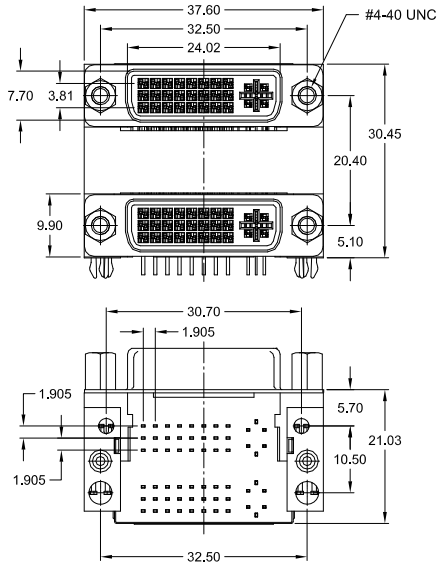
Electrical:	
Current rating	1.5 A min.
Insulator resistance	1000 M Ω min.
Contact resistance	20 m Ω max.
Dielectric strength	1000 V for 1 Min.
Withstanding voltage	500V (rms) AC 1 Min.
Operating temperature	-20° C to +85° C
Mechanical:	
Insertion force	4.5 Kg max.
Withdrawal force	1.0 Kg min.
Durability	100 Cycles
Material:	
Contact	Copper Alloy
Insulator	PBT (ivory) UL 94V-0
Shell	Steel; Ni plated

How to order

DVF - 024 - SDD1 - xx /W B J

Plating	Housing Color	J
95 = Tin (<i>leadfree</i>) / Gold flash 97 = Tin (<i>leadfree</i>) / Gold 15μ" 98 = Tin (<i>leadfree</i>) / Gold 30μ"	W = white (standard) B = black (option)	2 Jack Screws 4-40 UNC attached

Analog & Digital Type fully shielded



Specifications

Electrical:	
Current rating	1.5 A min. per Contact
Insulator resistance	1000 M Ω min.
Contact resistance (upper/lower)	30 / 20 m Ω max.
Dielectric strength	1000 V for 1 Min.
Withstanding voltage	500V (rms) AC 1 Min.
Operating temperature	-55° C to +85° C
Mechanical:	
Insertion force (total)	4.5 Kg max.
Withdrawal force (total)	1.0 Kg min.
Durability	100 Cycles
Material:	
Contact	Copper Alloy
Insulator	PBT UL 94V-0
Shell	SPCC Ni plated
Shield	Stainless Steel

How to order

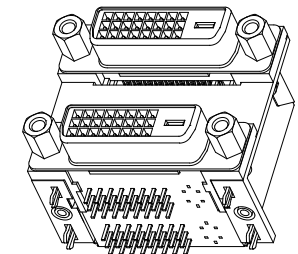
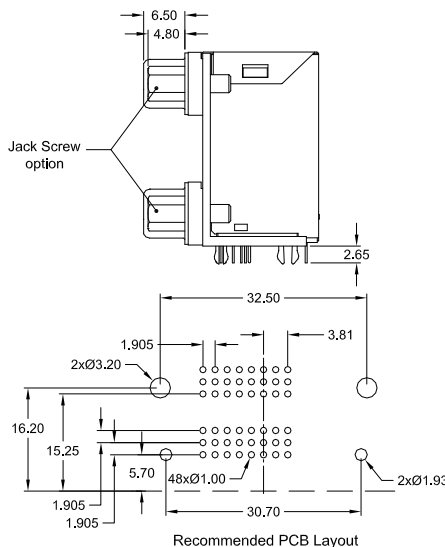
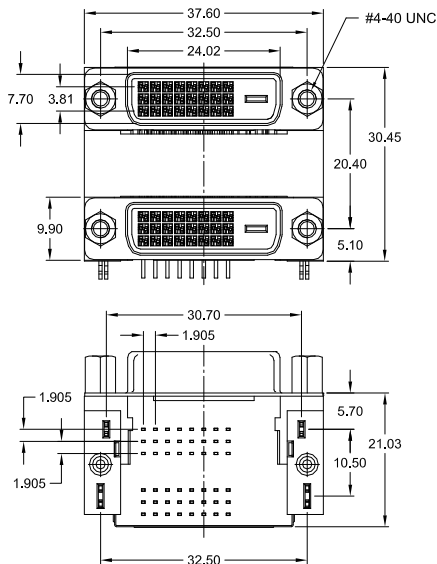
DVD - 2929 - NAD9 - xx /W S X

Plating
95 = Tin (<i>leadfree</i>) / Gold flash
On request:
97 = Tin (<i>leadfree</i>) / Gold 15μ"
98 = Tin (<i>leadfree</i>) / Gold 30μ"

Housing Color
W = white (standard)
B = black (option)

Option
J
4 Jack Screws 4-40 UNC

Digital Type fully shielded



Specifications

Electrical:	
Current rating	1.5 A min. per Contact
Insulator resistance	1000 M Ω min.
Contact resistance (upper/lower)	30 / 20 m Ω max.
Dielectric strength	1000 V for 1 Min.
Withstanding voltage	500V (rms) AC 1 Min.
Operating temperature	-55° C to +85° C
Mechanical:	
Insertion force (total)	4.5 Kg max.
Withdrawal force (total)	1.0 Kg min.
Durability	100 Cycles
Material:	
Contact	Copper Alloy
Insulator	PBT UL 94V-0
Shell	SPCC Ni plated
Shield	Stainless Steel

How to order

DVD - 2424 - NDD9 - xx /W S X

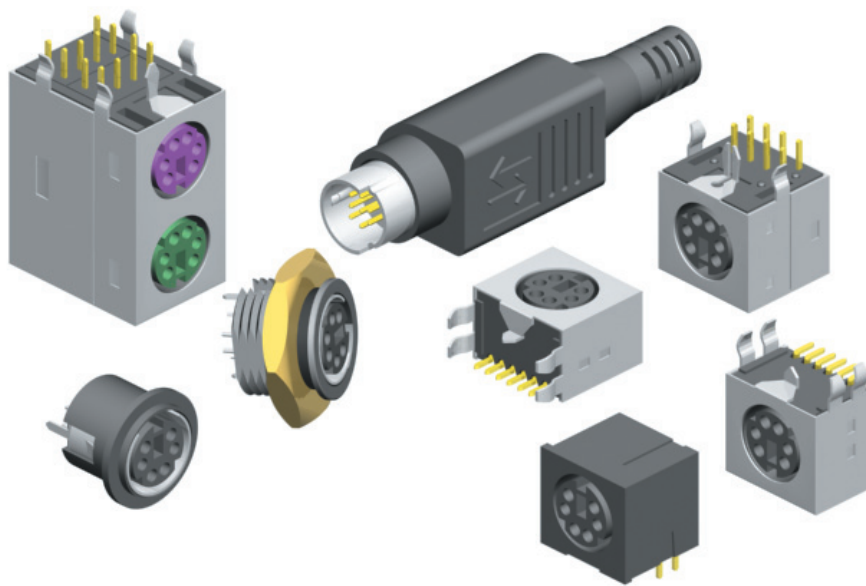
Plating
95 = Tin (<i>leadfree</i>) / Gold flash
On request:
97 = Tin (<i>leadfree</i>) / Gold 15μ"
98 = Tin (<i>leadfree</i>) / Gold 30μ"

Housing Color
W = white (standard)
B = black (option)

Option
J
4 Jack Screws 4-40 UNC

Mini DIN

Connectors



Mini DIN Connectors for Computer, Video, Audio
and Digital Equipment applications.

Single and Dual Port, non shielded and shielded connector versions
are available together with the mating plugs.

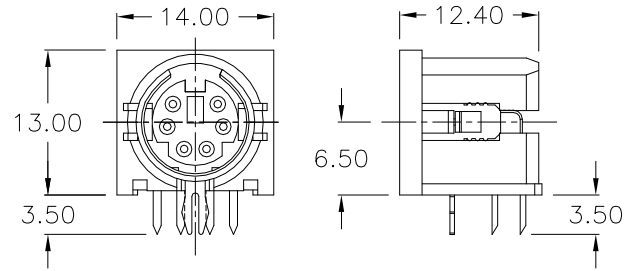
Mini DIN Connector - 90° - non shielded type



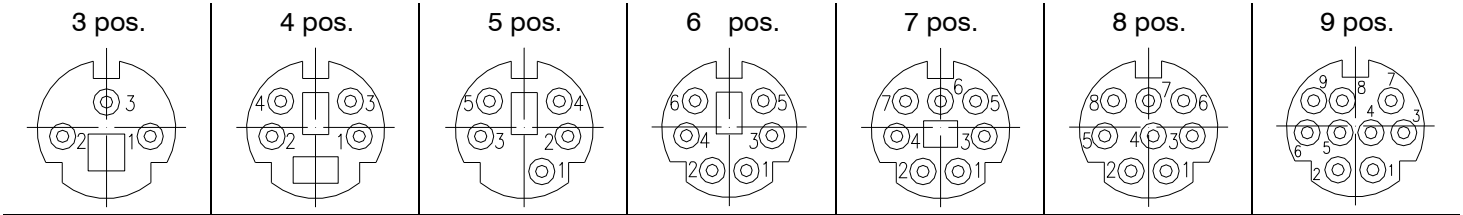
Mini DIN Connectors offered by E-tec have either silver or tin plated contacts. They allow a high number of insertion/extraction cycles and always a save connection to the Plug.

For any other types you may looking for and cannot find specified in this catalog, for example Mini DIN connectors with Filter or switch, please contact the nearest E-tec office or Distributor.

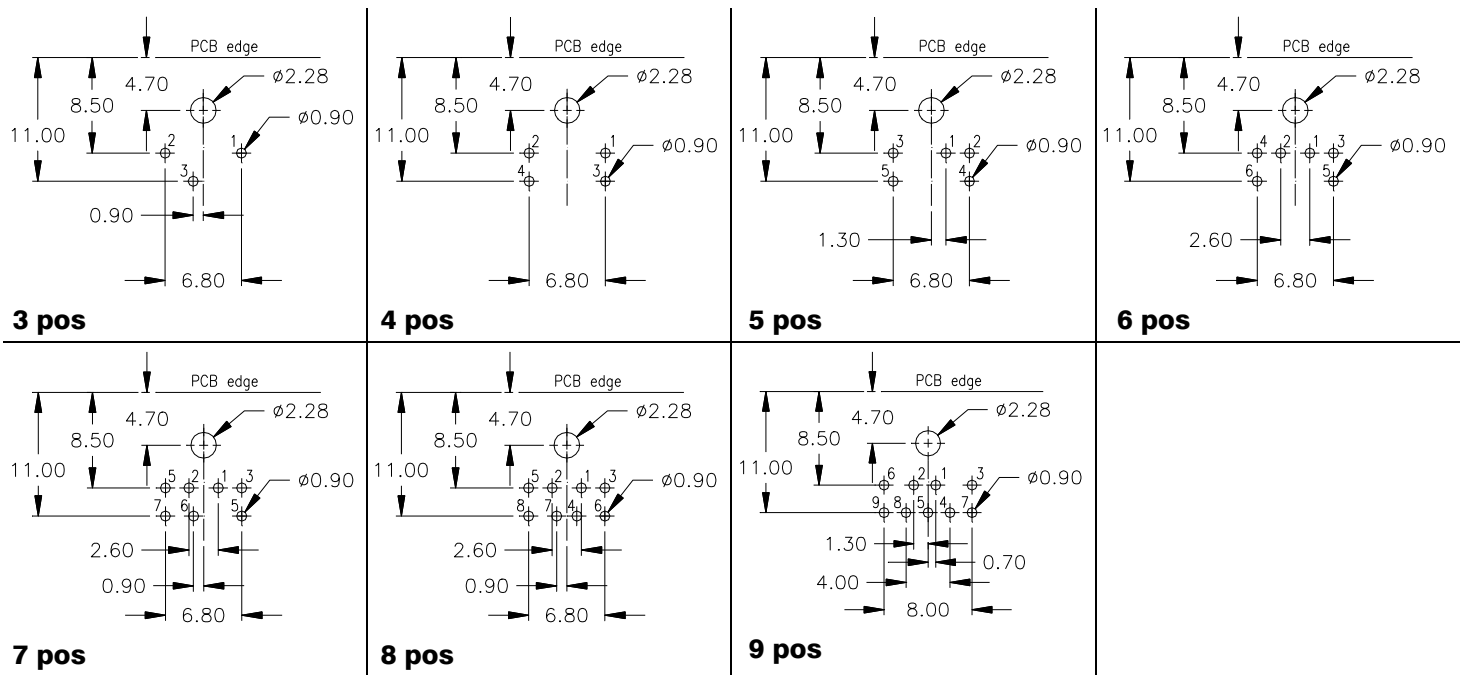
non shielded type



FRONT VIEWS



PCB through hole layout (bottom view)



SPECIFICATIONS

Current rating	1 A max. at 100 V AC 2 A max. at 12 V DC	Contact material (RoHS compliant)	Phosphor bronze
Insulator resistance	50 MΩ min. at 250 V DC	Contact plating	Sn/Au over Ni (Sn leadfree)
Contact resistance	30 mΩ max.	Insulator material (RoHS compliant)	P.B.T. UL 94 V-0
Dielectric withstanding voltage	250 V AC for 1 min.	Insertion force	4.5kg max.
Operating temperature	-55°C to +85°C	Extraction force	0.8kg min.
		Insertion/extraction cycles	500 min.

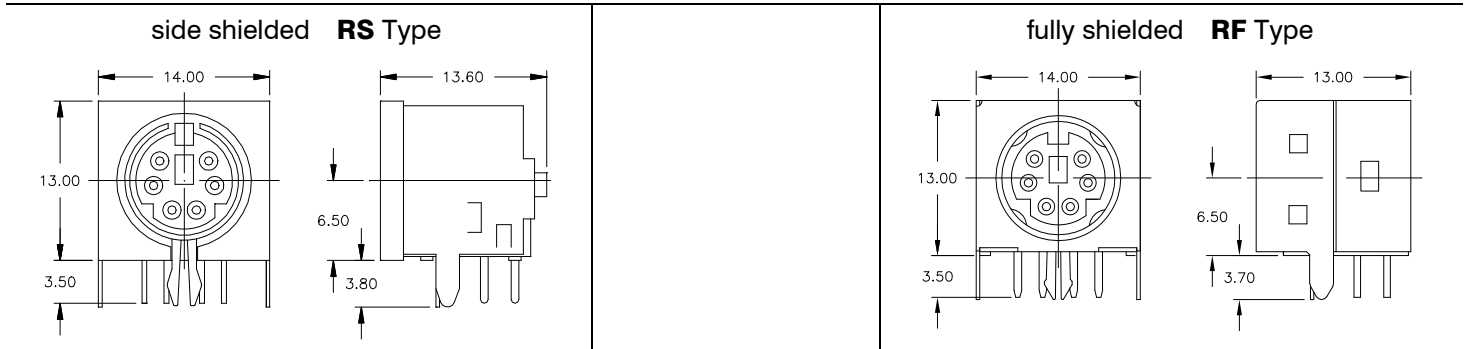
Ordering Code

MDJ - xxx - RN 01 - 95

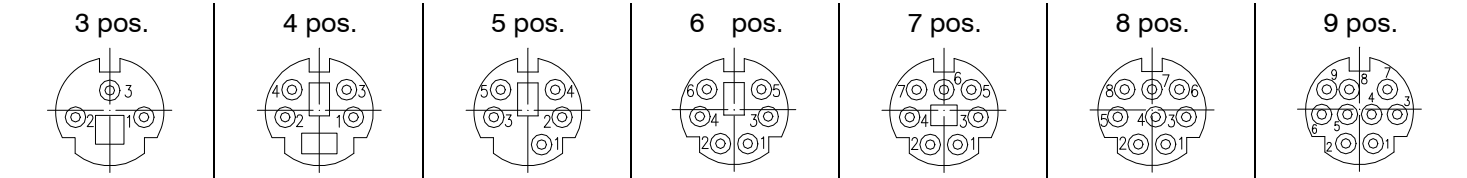
Nbr of contacts	
003	to 009

Mini DIN Connector

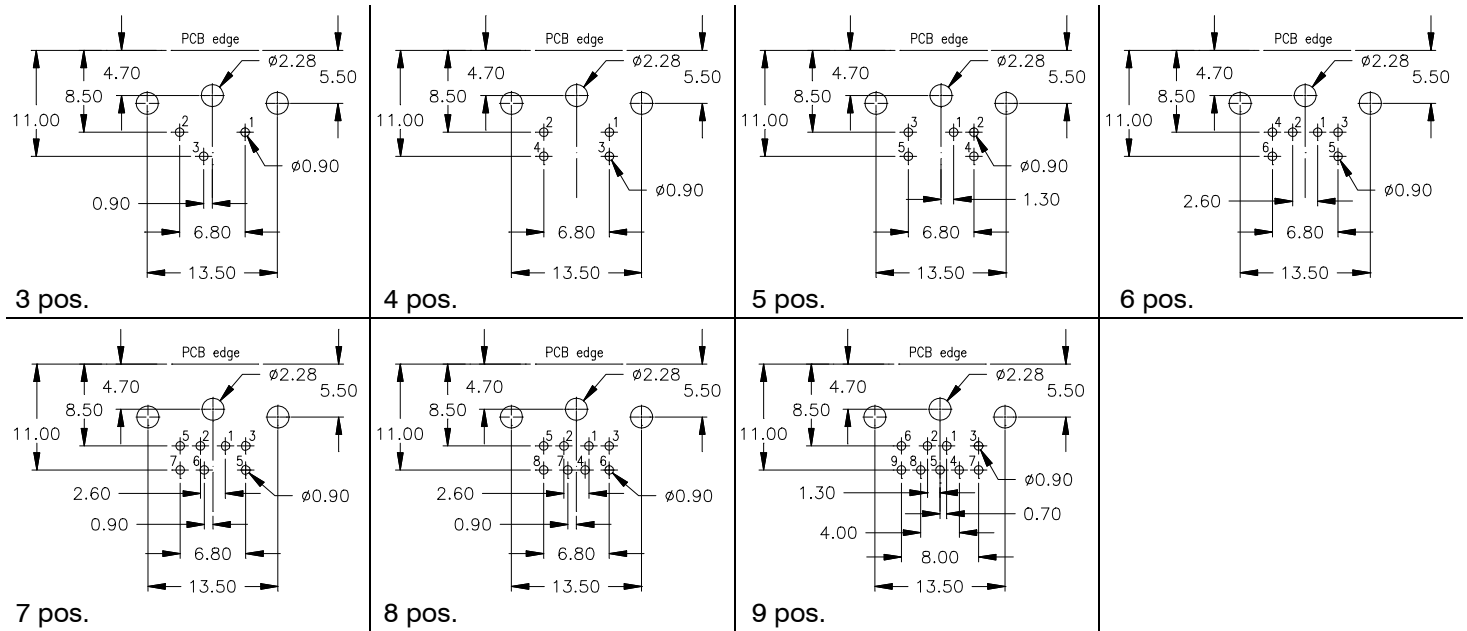
90° shielded type



FRONT VIEWS



PCB through hole layout



SPECIFICATIONS

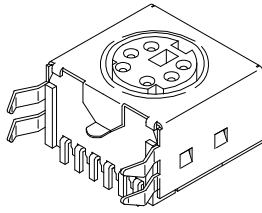
Current rating 2 A max. at 12 V DC	1 A max. at 100 V AC or	Contact material (RoHS compliant)	Phosphor bronze
Insulator resistance	50 MΩ min. at 250 V DC	Contact plating	AG, Sn or Sn/Au over Ni (Sn leadfree)
Contact resistance	30 mΩ max.	Insulator material (RoHS compliant)	P.B.T. UL 94 V-0 -black standard -
Dielectric withstanding voltage	250 V AC for 1 min.	Insertion force	4.5kg max.
Operating temperature	-40°C to +105°C	Extraction force	0.8kg min.
		Insertion/extraction cycles	500 min.

Ordering Code

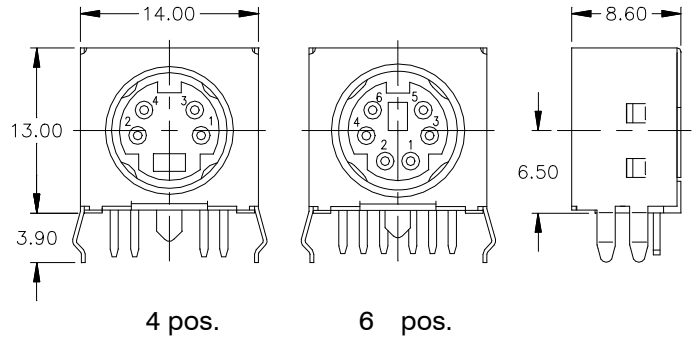
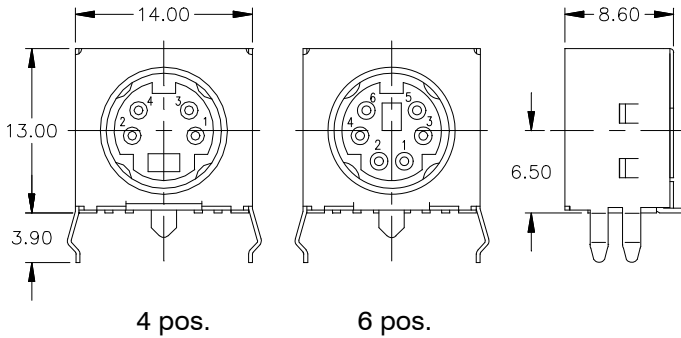
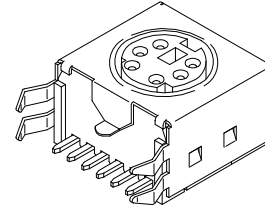
MDJ - xxx - R X xx - xx

Nbr of contacts	Type	Color	Plating
003; 004; 005; 006 007; 008; 009	S = side shielded	01 = black	AGZ = silver
003; 004; 005; 006 007; 008; 009	F = fully shielded	01 = black for all types 22 = purple for 6-contact type only	95 = tin/gold (tin leadfree)

SMT type

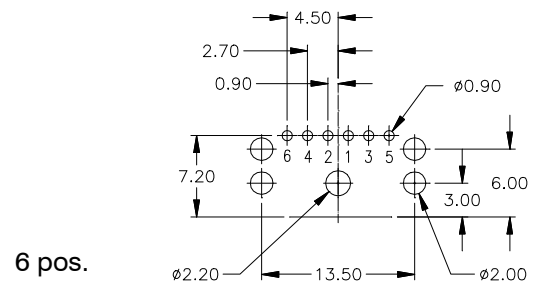
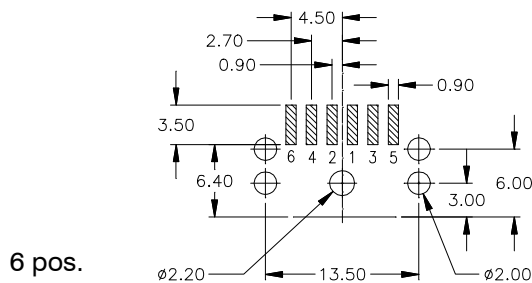
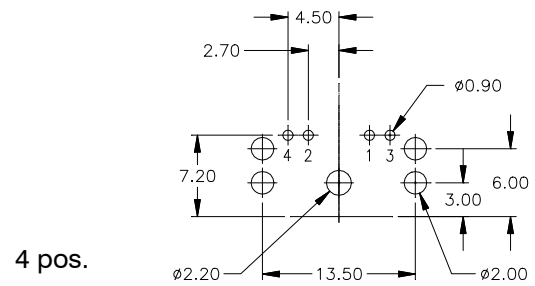
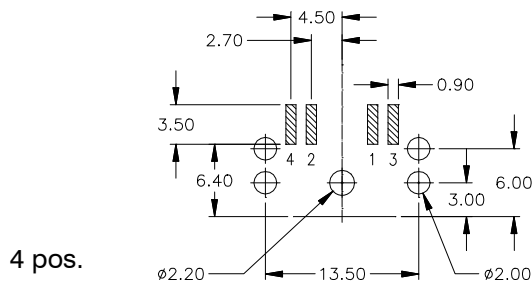


through hole type



PCB SMT layout

PCB through hole layout

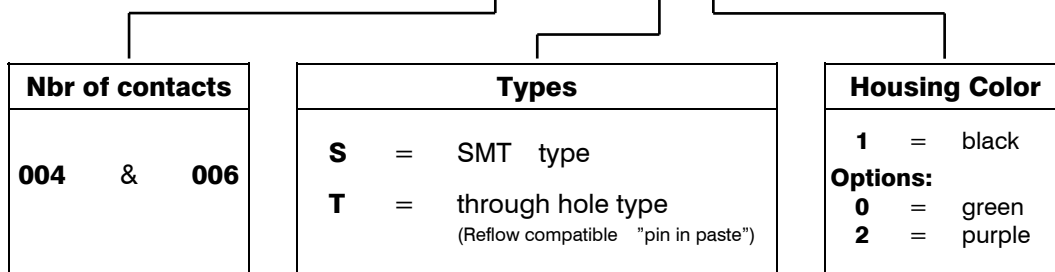


SPECIFICATIONS

Current rating	1 A max. at 100 V AC or 2 A max. at 12 V DC	Insulator material <i>(RoHS compliant)</i>	Nylon 6T UL 94 V-0
Insulator resistance	50 MΩ min. at 250 V DC	Contact material <i>(RoHS compliant)</i>	Phosphor bronze
Contact resistance	30 mΩ max.	Contact plating	Sn/ <i>(leadfree)</i> /Au over Ni
Dielectric withstanding voltage	250 V AC for 1 minute	Insertion force	4.5kg max.
Insertion/extraction cycles	500 min.	Extraction force	0.5kg min.
Operating temperature	-40°C to +105°C	Reflow soldering temperature:	260° C for 10 sec.

Ordering Code

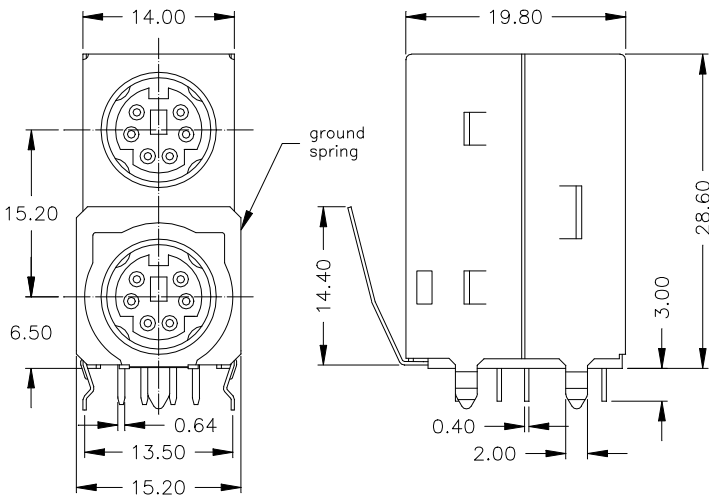
MDJ - xxx - RKL X / 1 - 95



Mini DIN Connector - Dual Port Standard & "PC 99" Type

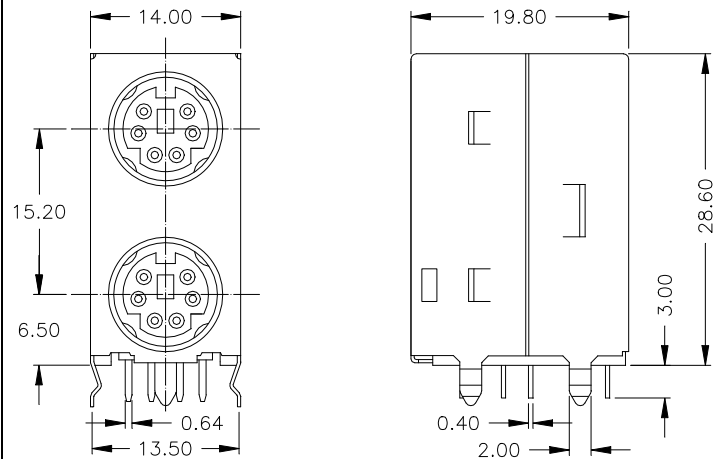


fully shielded, ground spring & side kink type



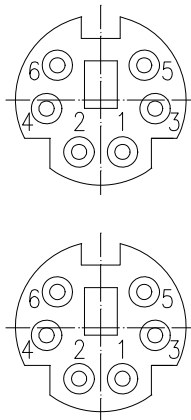
MDJ - 606 - DS xx - 95

fully shielded type



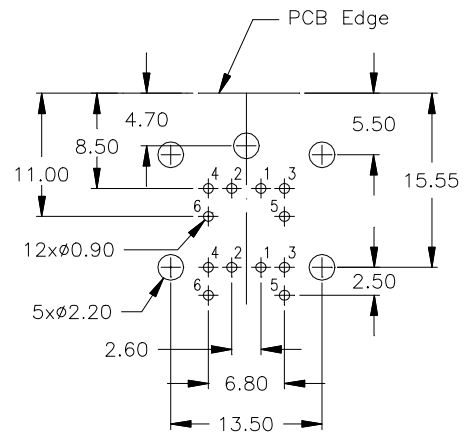
MDJ - 606 - DK xx - 95

front view



2 x 6 pos.

PCB through hole layout



2 x 6 pin = 606

SPECIFICATIONS

Current rating	1 A max. at 100 V AC or 2 A max. at 12 V DC
Insulator resistance	100 MΩ min. at 250 V DC
Contact resistance	30 mΩ max.
Withstanding voltage	250 V AC for 1 min.

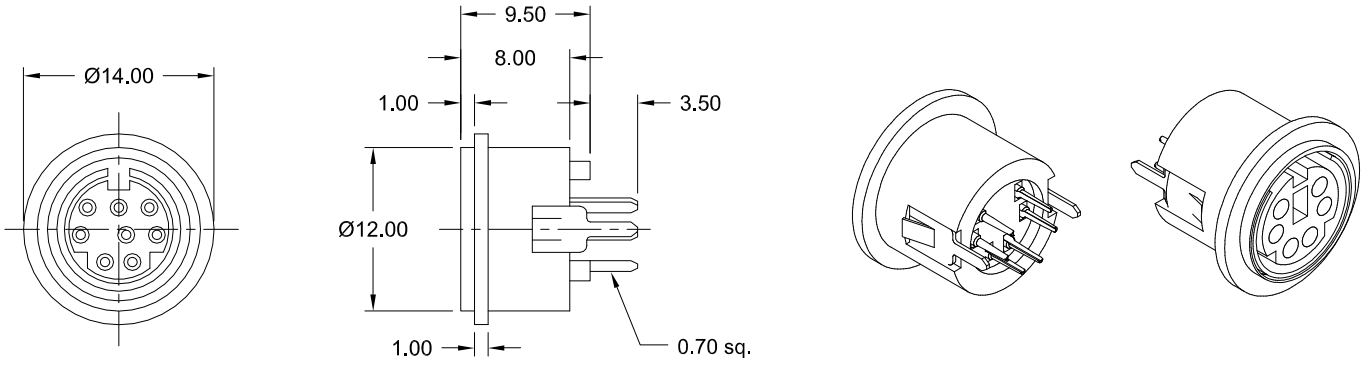
Contact material	(RoHS compliant) Phosphor bronze
Insulator material	(RoHS compliant)
P.B.T. UL 94 V-0	
Shield material	(RoHS compliant) Brass
Shield plating	tin (leadfree)
Insertion/extraction cycles	500 min.
Operating temperature	-40°C to +105°C

Ordering Code

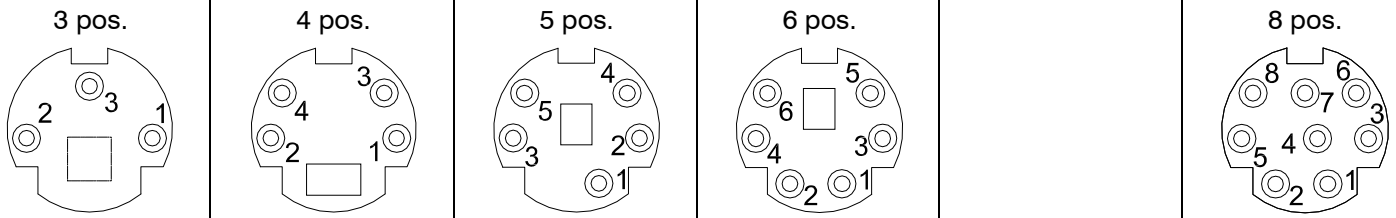
MDJ - 606 - XX xx - 95

Contact Arrangement	Version	Housing Color	Plating
6 top 6 bottom	DS = fully shielded, ground spring & side kink DK = fully shielded & side kink	01 = black top / black bottom 02 = green top / purple bottom	tin/gold <i>(tin leadfree)</i>

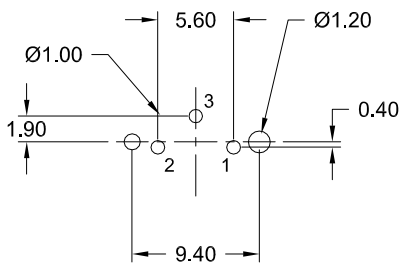
Mini DIN Connector straight "THT" Type



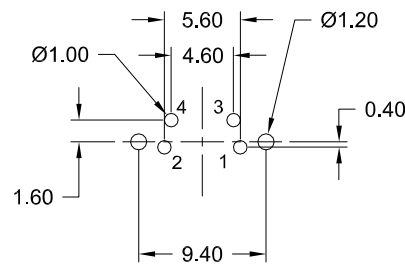
Front View



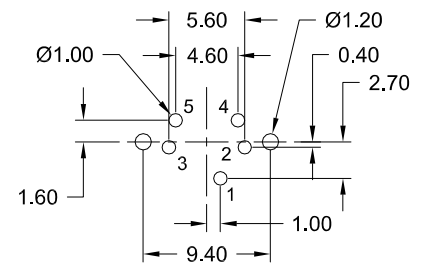
PCB through hole Layout (Top View)



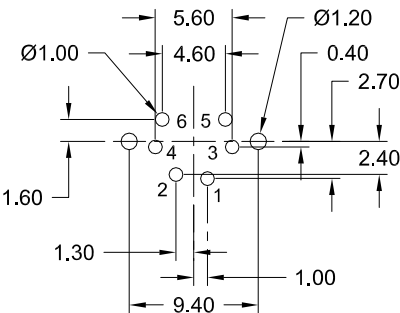
3 pos.



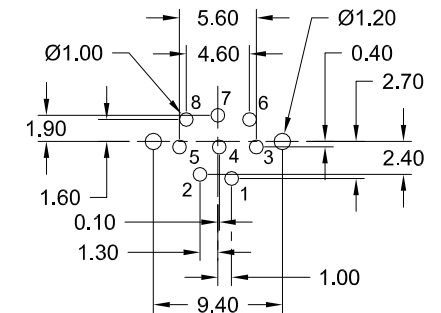
4 pos.



5 pos.



6 pos.



8 pos.

SPECIFICATIONS

Current rating	1 A max. at 100 V AC or 2 A max. at 12 V DC	Contact material	(RoHS compliant)	PhBz; Silver plated
Insulation resistance	100 M Ω min. at 500 V DC	Ground Terminal material	(RoHS compliant)	Brass; Tin plated
Contact resistance	30 m Ω max.	Insulator material	(RoHS compliant)	P.B.T. UL 94 V-0
Dielectric withstanding voltage	250 V AC for 1 min.	Insertion force		39N max.
Operating temperature	-40°C to +105°C	Extraction force		8,8N min.
		Insertion/extraction cycles		100 min.

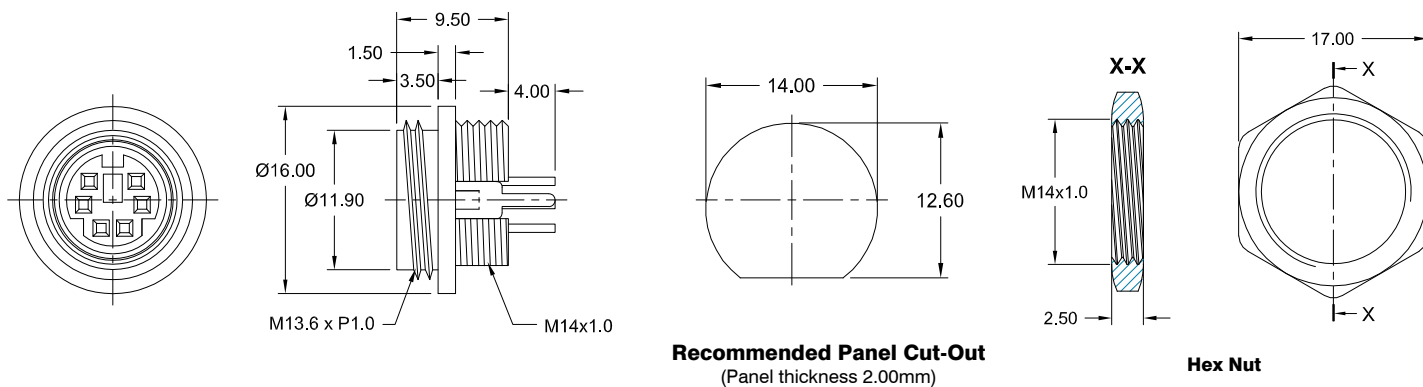
Ordering Code

MDJ - xxx - SN01 - AGZ

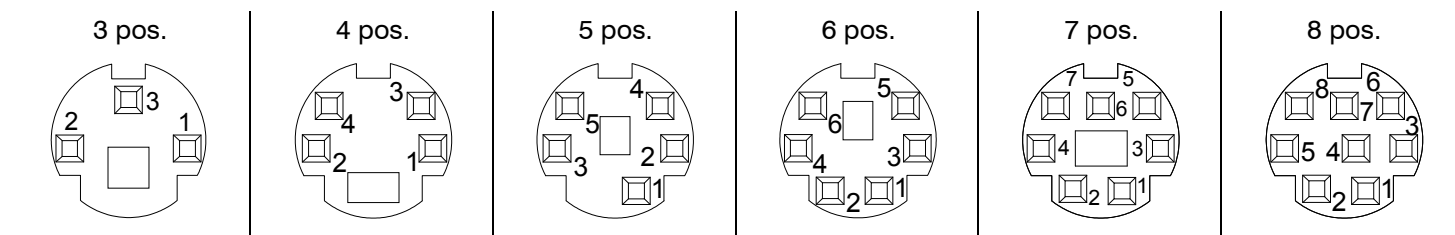
Nbr of contacts
003; 004; 005
006; 008

Mini DIN Connector

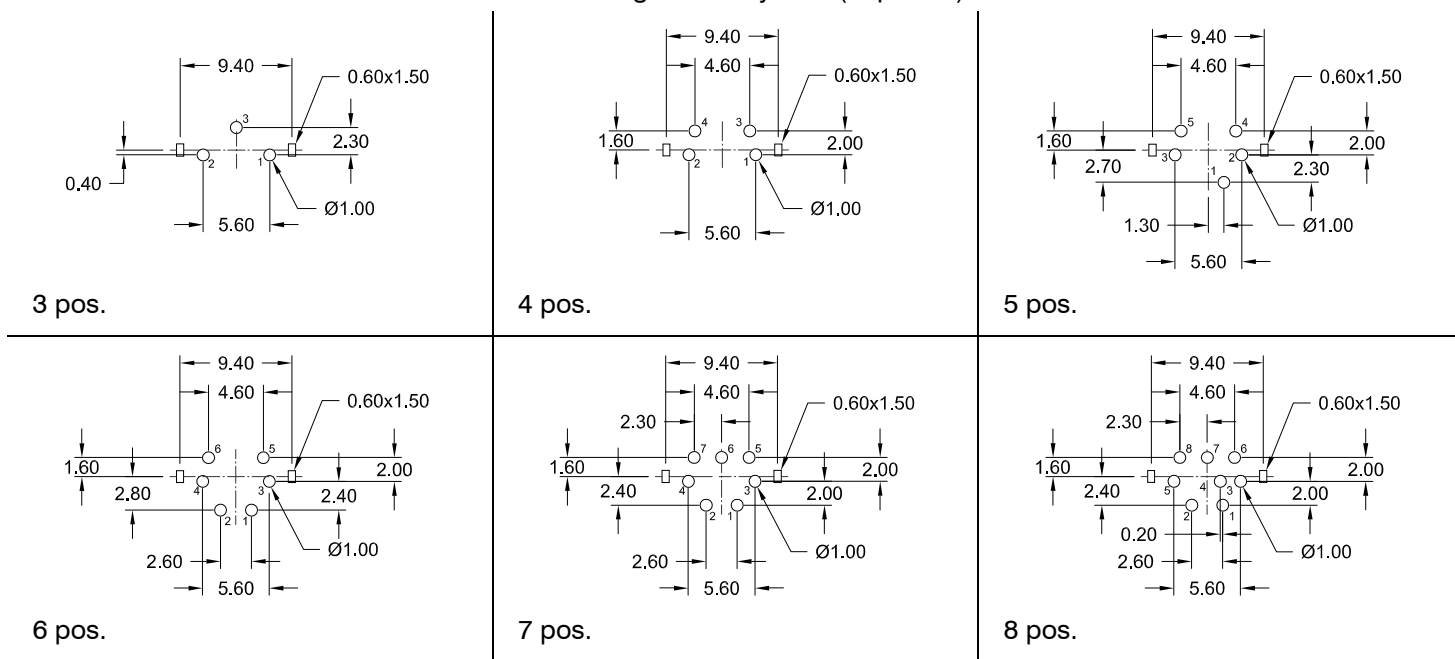
Wall mounting "THT" Type



Front View



PCB through hole Layout (Top View)

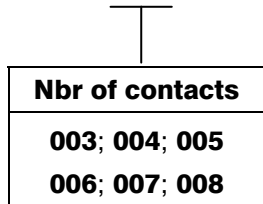


SPECIFICATIONS

Current rating	1 A max. at 100 V AC or 2 A max. at 12 V DC	Contact material	(RoHS compliant)	Brass; Tin plated
Insulation resistance	50 MΩ min. at 250 V DC	Hex Nut material	(RoHS compliant)	Brass; Nickel plated
Contact resistance	30 mΩ max.	Ground Terminal material	(RoHS compliant)	Brass; Nickel plated
Dielectric withstanding voltage	250 V AC for 1 min.	Insulator material	(RoHS compliant)	P.B.T. UL 94 V-0
Operating temperature	-40°C to +105°C	Insertion force		39N max.
		Withdrawal force		8.8N min.

Ordering Code

MDJ - xxx - SS01 - 99



standard type male

Bend protection sleeve for cable Ø 5.00mm standard, others on request.

front views

standard type female

Bend protection sleeve for cable Ø 5.00mm standard, others on request.

front views

„Quick Lock“ type male

Bend protection sleeve for cable Ø 6.50mm standard, others on request

front views

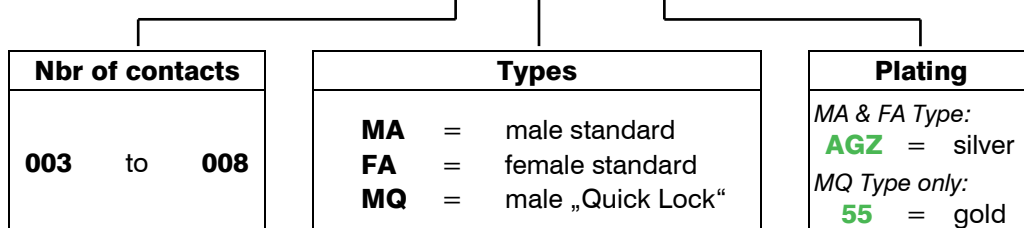
Any cable assembly available on request.
 Connectors at both ends as well as cable length and quality as per your specification possible.
 Please contact the nearest E-tec sales office or Distributor.

SPECIFICATIONS

Current rating	1 A max. at 100 V AC or 2 A max. at 12 V DC	Withstanding voltage	250 V AC for 1 min.	Insulator material (RoHS compliant)	Nylon UL 94 V-0
Insulator resistance	50 MΩ min. at 250 V DC	Operating temperature	-55°C to +85°C	Insertion force	4.5kg max.
Contact resistance	30 mΩ max.	Contact material (RoHS compliant)	Brass	Extraction force	0.8kg min.
		Contact plating	Silver; MQ Type = Gold	Insertion/extraction cycles	500 min.

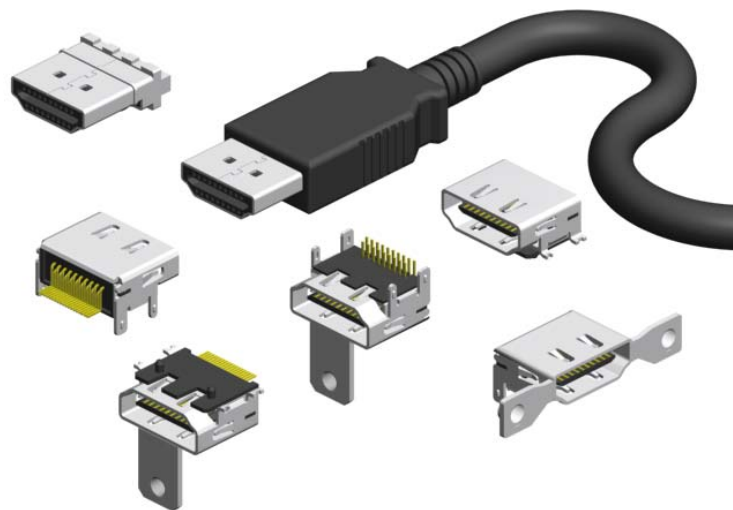
Ordering Code

MDP - xxx - XX 01 - xx



HDMI

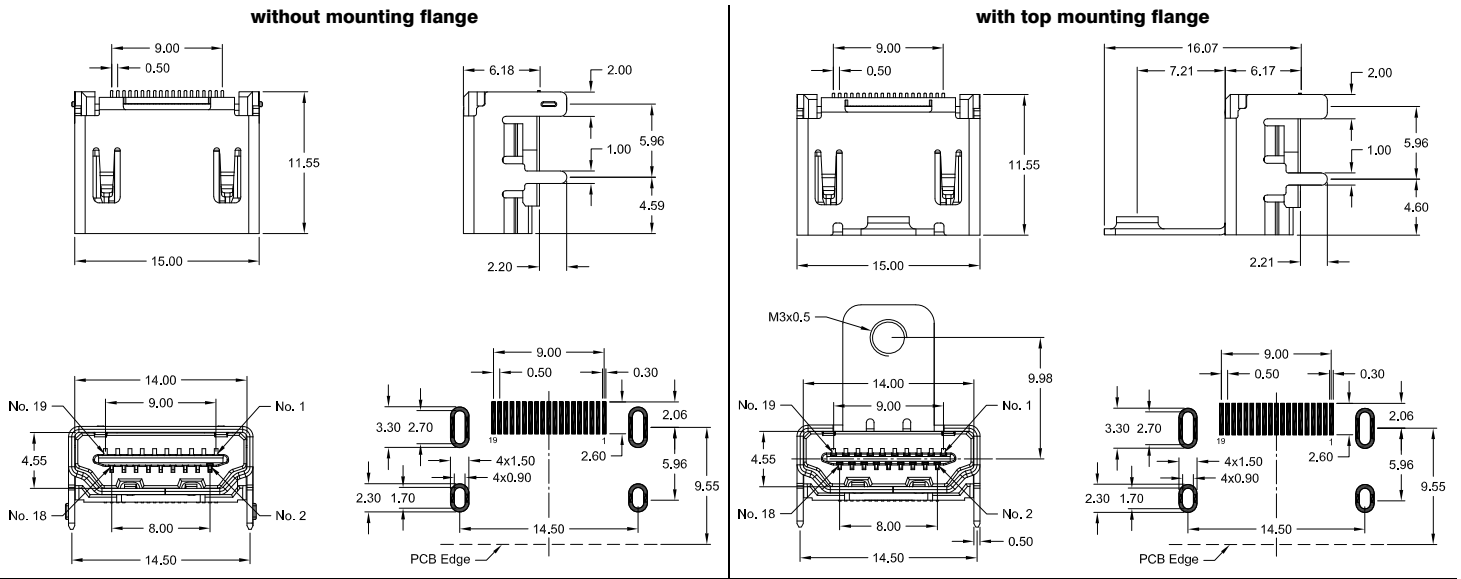
High Definition Multimedia Interface



HDMI is an all-digital audio/video interface which was developed in mid 2003 capable of transmitting uncompressed streams. HDMI provides an interface between any compatible digital audio/video source, such as a set-top box, a DVD player, or an AV receiver and a compatible digital audio and/or video monitor, such as a digital television (DTV).

Since June 2006 the version 1.3 has been introduced and these HDMI standards specifically target the home entertainment sector.

-SMT- "Side Entry" with straight solder pegs



Specifications

Electrical:	
Current rating	0.5 A
Insulator resistance	100 M Ω min. at 150V DC
Contact resistance	30 m Ω max.
Withstanding voltage	500V (rms) AC 1 Min.
Operating temperature	-25° C to +85° C
Mechanical:	
Insertion force	44.1 N max.
Withdrawal force	9.8 N min.
Durability	10,000 Cycles
Material:	
Contact	Copper Alloy
Plating	Sn solderpegs / Au contact
Insulator	Hi temp Thermoplastic black UL 94V-0
Shell	Steel; Sn (leadfree) over Ni

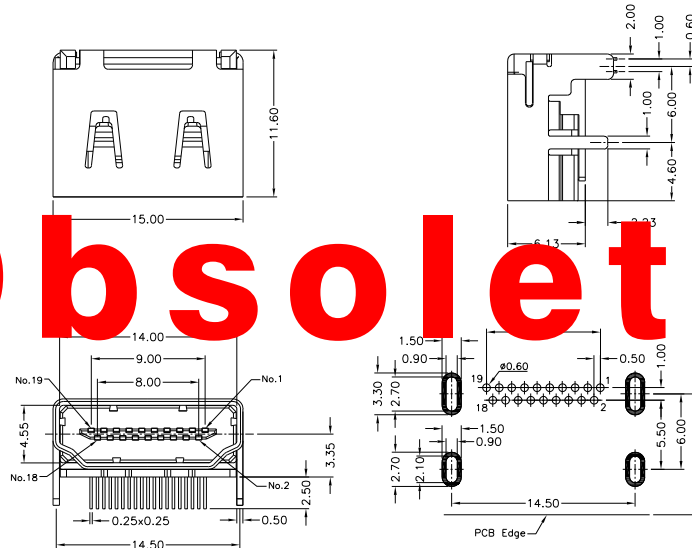
How to order

HMR - B19 - SS X 1 - 98 / X

Style	Plating	Option
K = without mounting flange	95 = Tin (leadfree) / Gold flash	R = reel packing w/o pick up tape
L = with top mounting flange	97 = Tin (leadfree) / Gold 15μ"	BT = reel packing with pick up tape
	98 = Tin (leadfree) / Gold 30μ"	

Soldertail Type with "straight" solder pegs - without mounting flange -

Obsolete



Specifications

Electrical:	
Current rating	0.5 A
Insulator resistance	100 M Ω min. at 150V DC
Contact resistance	30 m Ω max.
Withstanding voltage	500V (rms) AC 1 Min.
Operating temperature	-25° C to +85° C
Mechanical:	
Insertion force	44.1 N max.
Withdrawal force	9.8 N min. / 39.2 N max.
Durability	10,000 Cycles
Material:	
Contact	Copper Alloy
Plating	Sn solderpegs / Au contact
Insulator	Hi temp Thermoplastic black UL 94V-0
Shell	Steel; Sn (leadfree) over Ni

How to order

HMR - B19 - RS K 1 - 98 / X

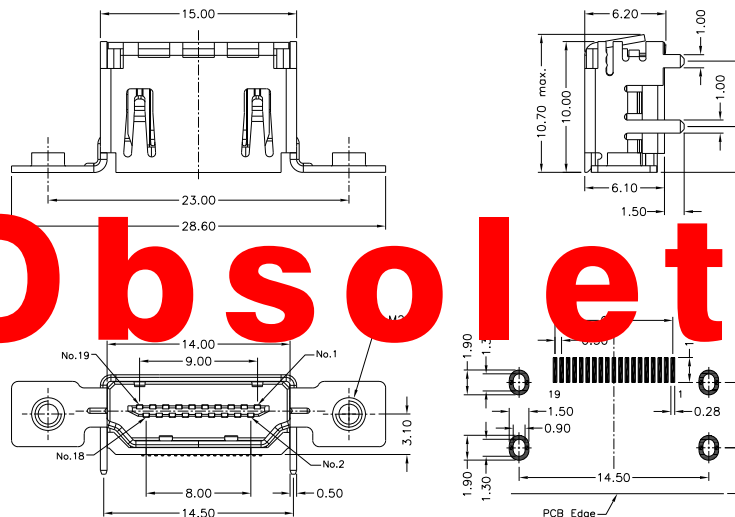
Style
K = without mounting flange

Plating
95 = Tin (leadfree) / Gold flash
97 = Tin (leadfree) / Gold 15 μ "
98 = Tin (leadfree) / Gold 30 μ "

Option
Blank = tray packing (standard)
R = reel packing w/o pick up tape
BT = reel packing with pick up tape
<i>NOTE: reel packing on request</i>

SM-Type with "straight" solder pegs - with wing mounting flange -

Obsolete



Specifications

Electrical:	
Current rating	0.5 A
Insulator resistance	100 M Ω min. at 150V DC
Contact resistance	30 m Ω max.
Withstanding voltage	500V (rms) AC 1 Min.
Operating temperature	-25° C to +85° C
Mechanical:	
Insertion force	44.1 N max.
Withdrawal force	9.8 N min. / 39.2 N max.
Durability	10,000 Cycles
Material:	
Contact	Copper Alloy
Plating	Sn solderpegs / Aucontact
Insulator	Hi temp Thermoplastic black UL 94V-0
Shell	Steel; Sn (leadfree) over Ni

How to order

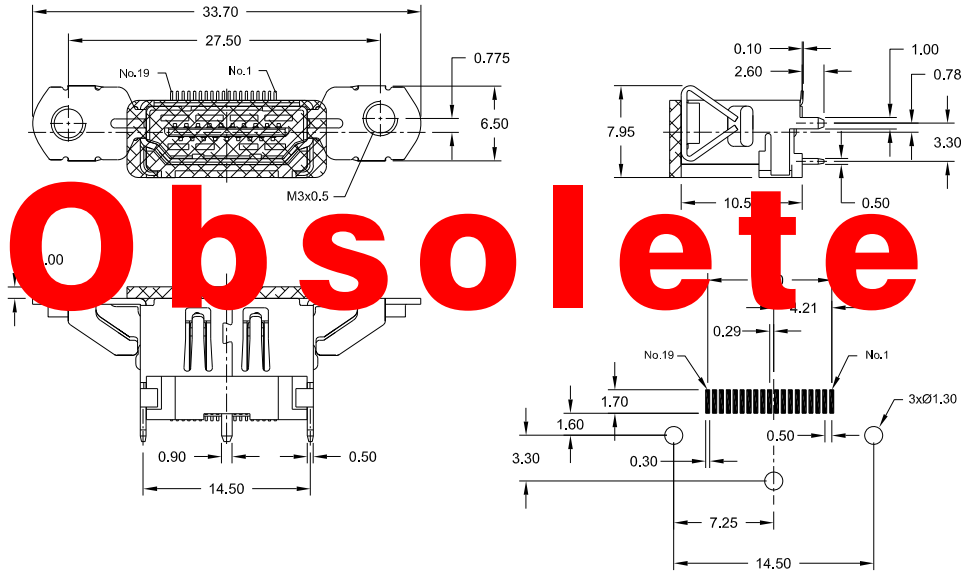
HMR - B19 - SS M 1 - 98 / X

Style
M = with wing mounting flange

Plating
95 = Tin (leadfree) / Gold flash
97 = Tin (leadfree) / Gold 15 μ "
98 = Tin (leadfree) / Gold 30 μ "

Option
Blank = tray packing (standard)
R = reel packing w/o pick up tape
BT = reel packing with pick up tape
<i>NOTE: reel packing on request</i>

-SMT- Top Entry Type with "Wing" mounting flange



Specifications

Electrical:	
Current rating	0.5 A
Insulator resistance	100 M Ω min. at 150V DC
Contact resistance	30 m Ω max.
Withstanding voltage	500V (rms) AC 1 Min.
Operating temperature	-25° C to +85° C
Mechanical:	
Insertion force	44.1 N max.
Withdrawal force	9.8 N min. / 39.2 N max.
Durability	10,000 Cycles
Material:	
Contact	Copper Alloy
Plating	Sn solderpegs / Au contact
Insulator	Hi temp Thermoplastic black UL 94V-0
Shell	Steel; Sn (leadfree) over Ni

How to order

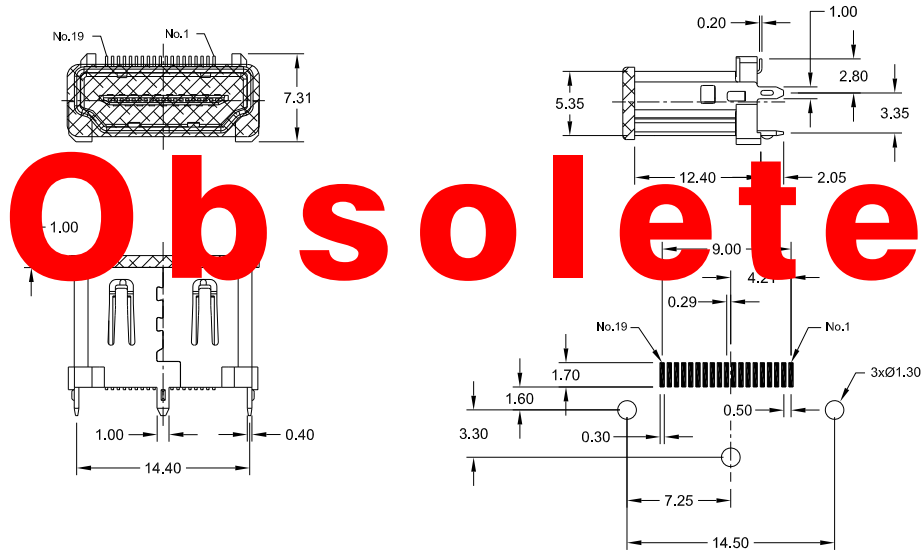
HMR - B19 - US M 1 - 98 / X

Style
M = with wing mounting flange

Plating
95 = Gold flash / Tin (leadfree)
97 = Gold 15 μ " / Tin (leadfree)
98 = Gold 30 μ " / Tin (leadfree)

Option
R = reel packing w/o pick up cap
B = reel packing with pick up cap

-SMT- Top Entry Type without mounting flange



Specifications

Electrical:	
Current rating	0.5 A
Insulator resistance	100 M Ω min. at 150V DC
Contact resistance	30 m Ω max.
Withstanding voltage	500V (rms) AC 1 Min.
Operating temperature	-25° C to +85° C
Mechanical:	
Insertion force	44.1 N max.
Withdrawal force	9.8 N min. / 39.2 N max.
Durability	10,000 Cycles
Material:	
Contact	Copper Alloy
Plating	Sn solderpegs / Au contact
Insulator	Hi temp Thermoplastic black UL 94V-0
Shell	Steel; Sn (leadfree) over Ni

How to order

HMR - B19 - US K 1 - 98 / X

Style
K = without mounting flange

Plating
95 = Gold flash / Tin (leadfree)
97 = Gold 15 μ " / Tin (leadfree)
98 = Gold 30 μ " / Tin (leadfree)

Option
R = reel packing w/o pick up cap
B = reel packing with pick up cap

Other products from E-tec

Please contact your closest sales office for further information.



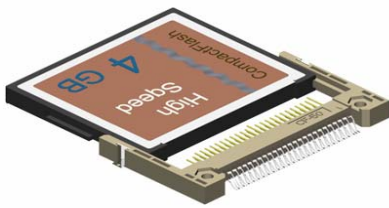
Insertion-Extraction Tools



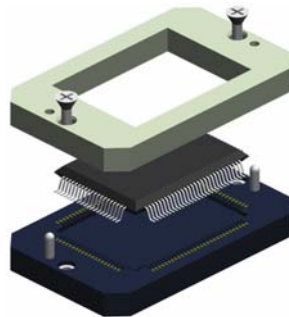
DIMM Sockets



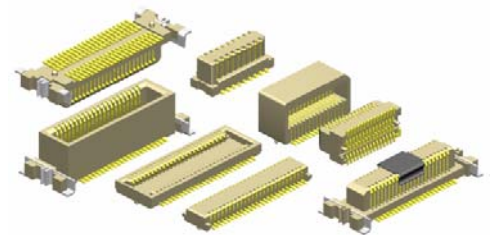
DIP Switch



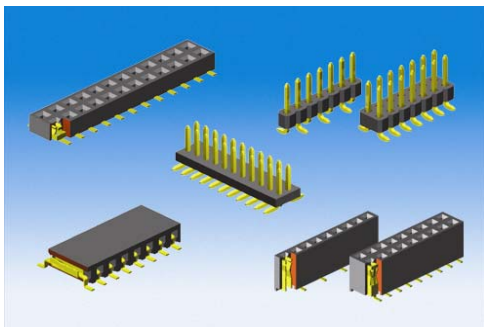
Compact Flash Connector



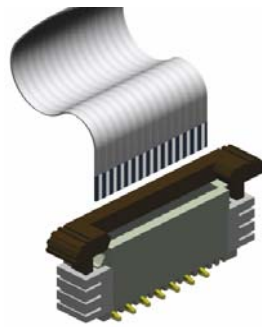
Gullwing Chip Sockets



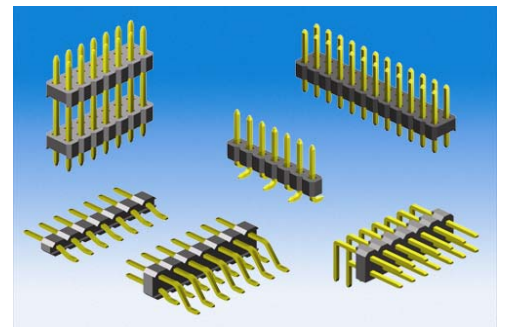
Fine Pitch Board to Board Connectors



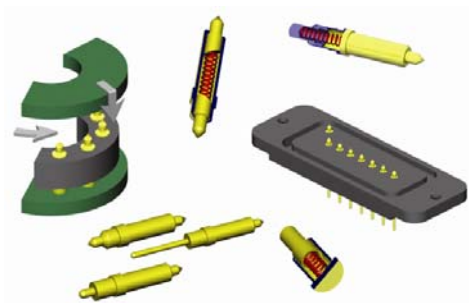
SMT Board to Board Connectors



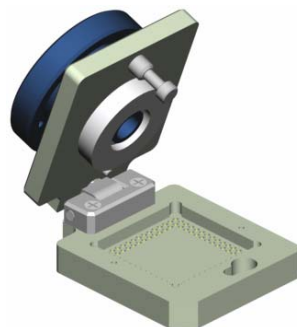
Flex Cable Connectors



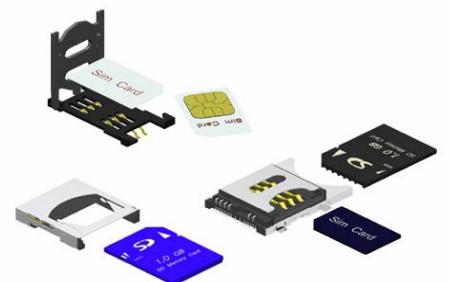
Pin Header



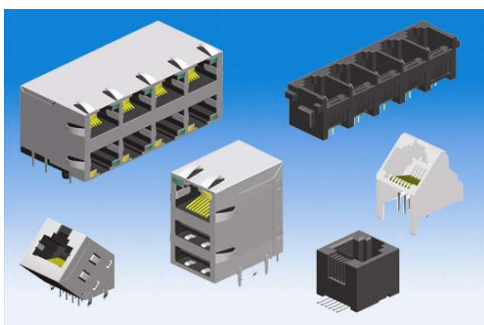
Probe Pin & Probe Pin Connectors



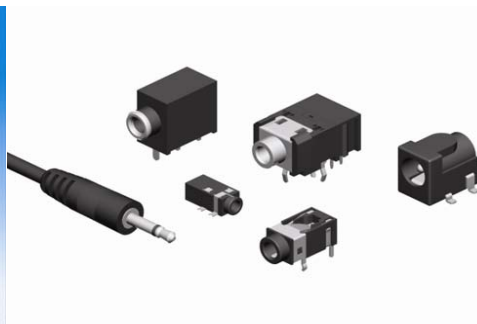
Ball / Land Grid Array Sockets



Multi Media Card Connectors



Modular Plugs & Jacks



Phono - & DC - Power Connectors



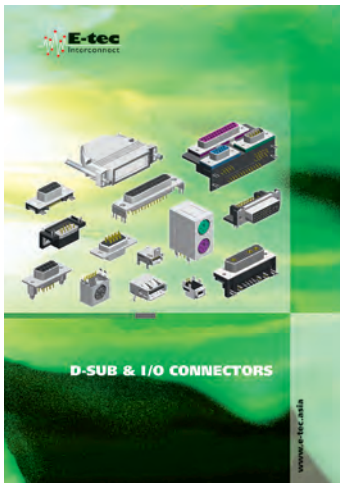
RF - Connectors



The E-tec Group

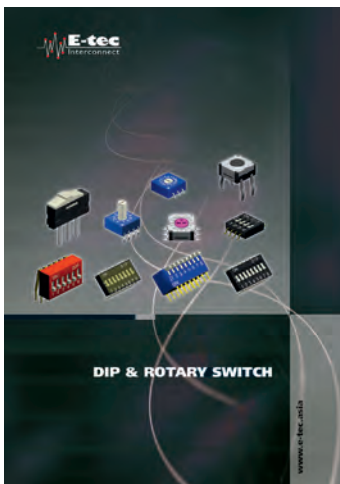
Switzerland E-tec Interconnect AG
 Friedhofstrasse 1
 CH-2543 Lengnau
 Phone: +41 (0) 32 / 654 15 50
 Fax: +41 (0) 32 / 652 26 93
 Email: info@e-tec.ch
 Web: www.e-tec.ch

Taiwan E-tec Interconnect Asia Ltd
 7F, No. 69, Sec.2, Guangfu Rd.
 Sanchong Dist., New Taipei City
 24158 Taiwan R.O.C.
 Phone: +886 / 2 2999 2726
 Fax: +886 / 2 2999 5255
 Email: info@e-tec.asia
 Web: www.e-tec.asia



Germany EMC electro mechanical components GmbH
 Deningerstrasse 4a
 D-65510 Idstein
 Phone: +49 (0) 6126 / 93 95 0
 Fax: +49 (0) 6126 / 93 95 72
 Email: info@emc.de
 Web: www.emc.de

United Kingdom E-tec Interconnect UK Ltd
 Units 5-7 Decimus Park
 Kingstanding Way
 Tunbridge Wells
 TN2 3GP
 Phone: +44 (0) 1892 / 530 260
 Fax: +44 (0) 1892 / 515 560
 Email: info@e-tec.co.uk
 Web: www.e-tec.co.uk



France STELIAU TECHNOLOGY
 41-43 rue Périer
 92120 Montrouge
 Phone: +33 (0) 1 / 55 58 04 04
 Fax: +33 (0) 1 / 55 58 04 00
 Email: contact@steliau-technology.com
 Web: www.stelieu-technology.com